



JCB FASTRAC | 2140



JCB FASTRAC | 2140



FAST FACTS

- **FULL SUSPENSION**

Three-link front suspension and hydro-pneumatic rear suspension giving unequaled traction, ride control and comfort.

- **SMOOTHSHIFT TRANSMISSION**

Multi-plate oil immersed main drive clutch, with three speed powershift, incorporating JCB 'Autoshift', and JCB 'Selectronic' range and direction control.

- **HIGH PERFORMANCE POWER**

High performance Cummins turbocharged engine with excellent torque back-up for minimal downshifting and increased overall productivity.

- **HIGH COMFORT CAB**

Full two man cab with air suspension driver's seat, air conditioning and excellent all-around visibility. JCB Electronic Monitoring System (EMS) providing an easy-to-understand assessment of the machine's key functions and performance.

- **POWERFUL HYDRAULICS**

Featuring Bosch 'Hitchtronic' with digital draft sensing and active wheel slip control. Auxiliary hydraulics provide flow control and float.

- **MULTI-IMPLEMENT MOUNTING POINTS**

The unique design of the JCB Fastrac allows implements to be mounted on the front, rear or on the deck for unrivalled weight distribution and productivity.

- **AIR BRAKES**

Full air-over-hydraulic, dual split brakes with twin line air trailer brake connectors as standard.

- **32 MPH ROAD SPEED**

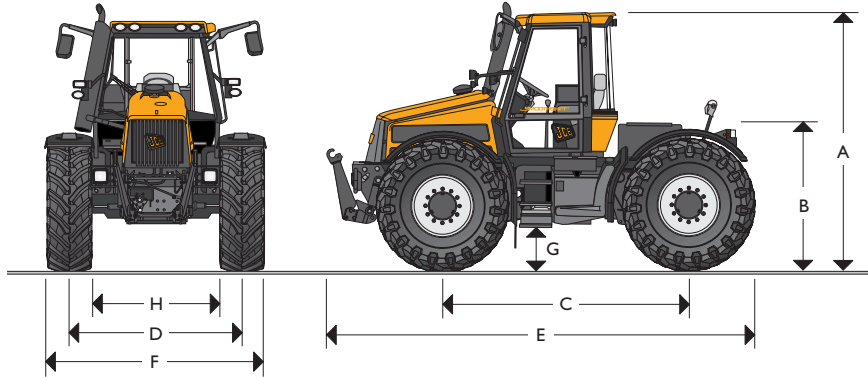
For unrivalled performance, operating flexibility and increased overall productivity.

- **QUADTRONIC 4WS (OPTIONAL)**

Five steer modes, including 2WS, proportional 4WS, true tracking 4WS, delay 4WS and crab steer, for ultimate maneuverability in all applications.



STATIC DIMENSIONS



STATIC DIMENSIONS

Tires	480/70R30
	ft-in (m)
A Height to cab	9-5 (2.87)
B Height to deck	4-11 (1.50)
C Wheelbase	9-4 (2.83)
D Track width	6-0 (1.83)
E Overall length	16-10 (5.13)
F Overall width	7-7 (2.31)
G Ground clearance	1-4 (0.40)
H Width between tires	4-5 (1.35)

CLUTCH

Smoothshift multi-plate oil immersed. Clutch hydraulically damped and electronically controlled.

SUSPENSION

Front: Coil spring and damper, microcellular secondary spring.
 Rear: Hydro-pneumatic self leveling.

ENGINE

		2140
Make		Cummins
Model		QSB 30
Rated engine speed	rpm	2200
Gross power	hp (kW)	155 (115.6)
DIN power	hp (kW)	142 (105.9)
PTO power	hp (kW)	132 (98.4)
Max. torque @ 1500rpm	lb-ft (Nm)	440 (597)
Torque back up		19%
Injection		Direct
No. of cylinders		6
Capacity	liter	5.9
Bore	in	4.02
Stroke	in	4.72
Cooling		Water
Air cleaner		Dual dry element
Aspiration		Wastegate Turbocharged
Emissions compliance		Tier 2
Air intake rain cap		Standard
Air intake pre-cleaner		Optional

ELECTRICAL SYSTEM

System voltage	Volt	12
Alternator output	Amp	150
Battery capacity	Amp hour	1 x 115

12V trailer supply socket.

110V engine block and transmission heater.

Electrical wiring – to IP67 standard.

CAPACITIES

		gal (liter)
Fuel tank		58 (220)
Hydraulic tank		31 (120)



LINKAGES AND DRAWBAR

- Rear 3 point linkage:** Electronic draft/position intermix, adjustable rate of drop, adjustable lift height, external lift and lower Category III with quick attach lower lift links and top link. Maximum lift capacity 13200lb (6000kg).
- Front 3 point linkage (optional):** Category II with quick folding lower lift links and top link. 5510lb maximum lift.
- Rear drawbar:** Adjustable swinging drawbar for 540 and 1000 rpm PTO operation with bolt on clevis.

POWER TAKE OFF

- Type:** Fully independent to front and rear (front optional).
- Actuation:** Electro-hydraulic with rear external cut out switch.
- Speeds:** 540rpm @ 1894 engine rpm
1000rpm @ 2088 engine rpm
- PTO power:** 132hp, 98.4kW
- Speed change:** By in-cab lever, 540: neutral: 1000rpm
Front and rear always rotate at same speed.
- Output shaft:** 6 or 21 spline 1 3/8" diameter.

AXLES

- Both axles:** Beam type with outboard epicyclic reduction hubs. 5 stud wheel retention.
- Front axle:** Four wheel drive selectable by rotary switch – electro-hydraulic sprung on/pressure off (on the move). No-spin differential.
- Rear axle:** Electro-hydraulic soft engage clutch.

AUXILIARY HYDRAULICS

- Max oil flow:** 26 gal/min (99 l/min)
- Operating pressure:** 3046 psi (210 bar)
- Spool valves:** Type A – Mechanical 4 position double acting, with flow control, zero leak and float position.
Type B – Mechanical 4 position double acting with zero leak and float position.

Auxiliary Hydraulic Package		2140	2140 4WS
1	Type A		
	Type A 3 spool	●	○
	Type B		
2	Type A		
	Type A 4 spool	○	
	Type B (3 to rear)		●
	Type B		

● = Standard ○ = Option – = N/A

- Couplers:** Deluxe Quick release/spill-off piped to reservoir.
- Pipework/hose:** BSP standard.



JCB FASTRAC | 2140



JCB FASTRAC | 2140

STEERING

Type: Hydrostatic, twin ram actuation.
Optional Quadtronic 4WS.

Tire	Track in (mm)	Turning Radius	
		2WS (ft-in)	4WS (ft-in)
480/70R30	72 (1830)	21-7	16-2
540/65R30	76 (1930)	22-4	18-2
540/65R30	80 (2015)	22-4	18-4

VEHICLE WEIGHTS

Based on 2140 with full fuel and hydraulic tanks, no driver and no ballast and fitted with 480/70R30 tires.

	Front axle	Rear axle	Total
	lbs	lbs	lbs
Base machine	7550	6670	14210
+ Front Linkage/PTO	8078	6649	14727

TRANSMISSION

54 forward, 18 reverse gears. 6 gear manual synchromesh gearbox. Low, medium, high, reverse synchromesh range box with JCB Smoothshift and Autoshuttle features. 3 speed JCB Autoshift clutchless splitter with manual and automatic modes. Forward speeds @ rated engine speed (mph):

		2140		
		Snail	Tortoise	Hare
		mph	mph	mph
High	6	21.8	26.1	32.0
	5	16.8	20.1	24.2
	4	11.7	14.0	16.8
	3	7.8	9.3	11.2
	2	5.0	5.9	7.2
	1	2.9	3.5	4.2
Medium	6	12.5	15.0	18.1
	5	9.6	11.6	13.9
	4	6.7	8.1	9.7
	3	4.5	5.4	6.4
	2	2.9	3.4	4.1
	1	1.7	2.0	2.4
Low	6	4.4	5.3	6.3
	5	3.4	4.1	4.9
	4	2.3	2.8	3.4
	3	1.6	1.9	2.3
	2	1.0	1.2	1.4
	1	0.6	0.7	0.8
Reverse	1	1.0	1.2	1.4
	2	1.8	2.1	2.5
	3	2.7	3.3	3.9
	4	4.1	4.9	5.8
	5	5.8	6.9	8.4
	6	7.6	9.1	10.9

Speeds are based on machines fitted with 480/70R30 tires.



JCB FASTRAC | 2140



JCB FASTRAC | 2140

REAR LOAD PLATFORM/STOWAGE

- Maximum dimensions:** 4ft 1in x 7ft 5in (1.25 x 2.25m)
- Capacity:** 5511lb (2500kg)
7165lb (3250kg) with heavy duty suspension cylinders.
- Sprayers:** As approved by JCB up to 525 gal (2000 liters) and 80ft (24m) booms.
- Note:** All deck mounted equipment currently fitted to other JCB Fastracs will fit this machine with minimum modification.
- Deck tray:** Hinging plastic deck tray.

WHEELS AND TIRES

4 equal sized, welded wheels.

	Rate	Track in
480/70R30	D/E	72 / 76
480/70R30	D/E	80
540/65R30	D	72 / 76
540/65R30	D	80

Dual wheels are permitted to be fitted to the rear axle only. Tire load speed rating and axle plated weight must not be exceeded under any circumstances. In if doubt refer to the operator's handbook or tire supplier.

CAB

High specification, operator and buddy seat, 2 door, low noise.

Standard equipment includes:

- Air conditioning and heating
- Air suspension driver's seat with lap and diagonal seat belts
- Fixed passenger seat with lap and diagonal seat belts
- Front and rear windshield washer/wiper
- Side console illumination
- In-dash lighter and ash tray
- JCB 'EMS' Electronic Monitoring System
- Sun shade
- Tilt steering column
- 12V positive and negative binders
- Dust filtration
- Tinted glass
- Full rear view door mirrors
- Full road lighting
- 12V beacon socket
- Digital clock
- Radio ready
- Rear opening window with cable access
- In-cab 12V power socket
- Transmission speed auxiliary output

OPTIONAL EQUIPMENT

- Front linkage (Category II)
- Front PTO (single output)
- Front PTO (limited power bi-directional)
- 4 pairs auxiliary hydraulic services (standard with Quadtronic 4WS)
- Hydraulic flow divider (rear)
- Front weight set (1410lb (640kg))
- Rear deck weight (2420lb (1100kg))
- Rear deck weight, with additional weight set (3830lb (1740kg))
- Heavy duty rear suspension cylinders (7165lb (3250kg))
- 1 pair auxiliary hydraulic services (front – T-spool 3)
- Hydraulic free flow return (front)
- 6 spline 1 3/4" PTO output shaft
- Quadtronic 4WS



JCB FASTRAC | 2140



THE BEST BACK-UP IN THE BUSINESS

Buy any JCB model and you'll get a complete deal that extends beyond that of any rival.

FINANCE

Your JCB Dealer can meet your financial needs through a variety of plans for leasing, lease purchases with or without options, installment sales contracts and rental programs.

WARRANTY

JCB machines are covered by JCB's one year standard warranty, which is outlined in the JCB 'Certificate of Warranty'. Extended warranty coverage is also available. Contact your JCB Dealer for details.

PARTS

JCB Dealers' convenient locations offer excellent 'over the counter' parts availability.

REGIONAL PARTS DEPOTS

For the breakdown part your dealer may not have in stock, JCB has SDD 'Same Day Dispatch,' from one of two parts distribution centers in the United States and one in Canada.

SERVICE

JCB Dealer service people are committed to keeping your JCB up and running. JCB Dealer mechanics are enrolled in on-going training programs and supported by experienced JCB Service Representatives based throughout North America.



JCB Inc, PO Box 18306, Savannah, GA 31418. Tel: (912) 447-2000. Fax: (912) 447-2299. www.jcb.com

JCB reserves the right to change design, materials and/or specifications without notice. Specifications are applicable to units sold in the United States and Canada. The JCB logo is a registered trademark of J C Bamford Excavators Ltd. USA 20143-5M-2/04

JCB FASTRAC | 2140

High Performance
by Design