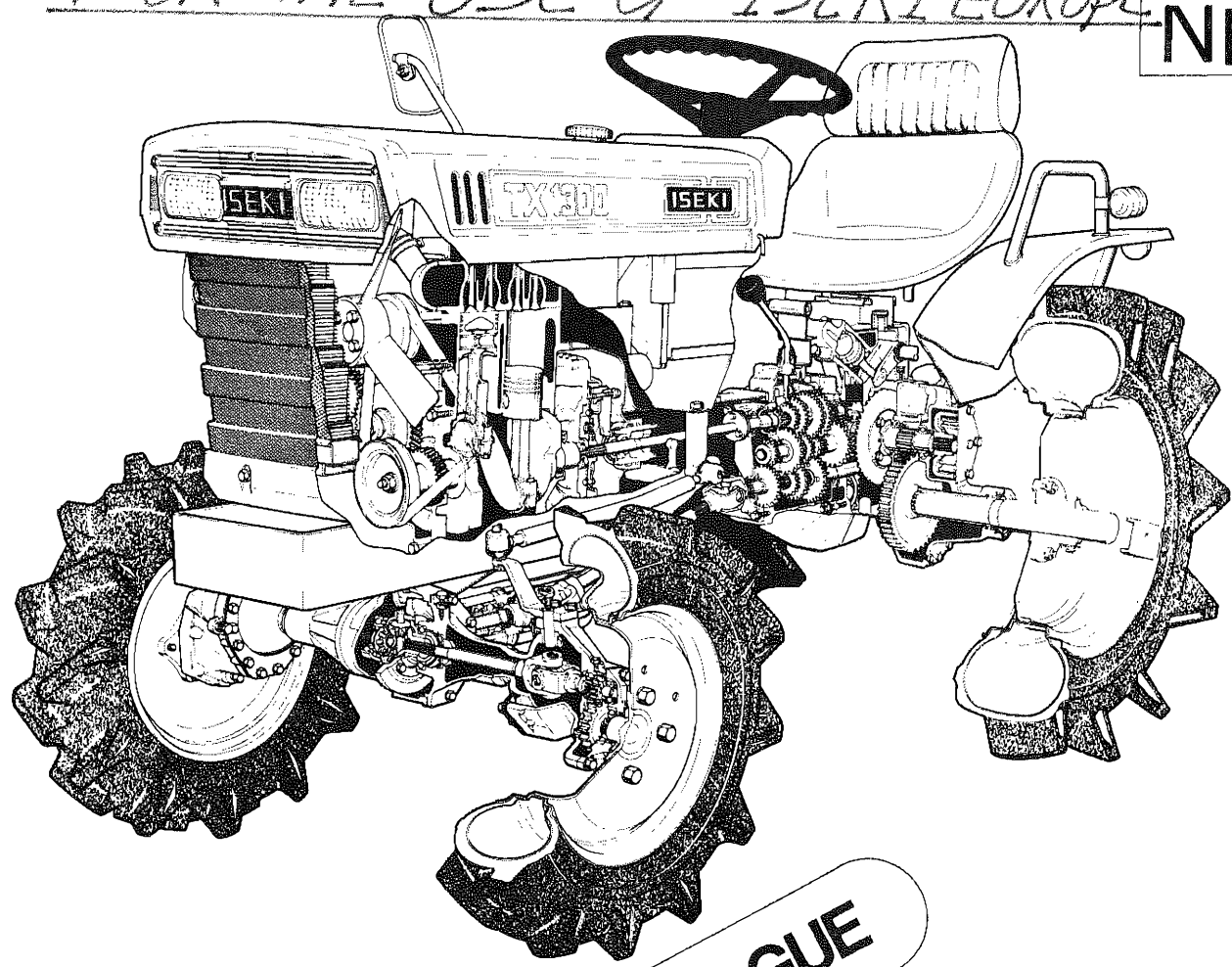


FOR THE USE OF ISEKI EUROPE **NEW**



PARTS CATALOGUE

**2&4-wheel drive type
ISEKI TRACTOR**

**TX1300
TX1500**





REQUESTS ON ORDERING PARTS:

Code No. , Part Name, and Quantity should be typed clearly and correctly on your order sheet without fail.

Especially wrong code numbers which are computer-controlled may result in wrong delivery of parts.

ABBREVIATIONS

ABBREVIATIONS	ORIGINAL WORDS	ABBREVIATIONS	ORIGINAL WORDS
ACCEL	ACCELERATOR	NO	NUMBER
ADJ	ADJUST ^o , ADJUSTING	NR	NEEDLE ROLLER
ASSY	ASSEMBLY	OS	OVER SIZE
BKT	BRACKET	P =	PITCH
CONN	CONNECTING	PKG	PACKING
CRANK	CRANKSHAFT	PL	PLAIN
CYL	CYLINDER	PRESS	PRESSURE
DEL	DELIVERY	PTO	POWER TAKE OFF
DIFF	DIFFERENTIAL	R	REAR
EXH	EXHAUST	RB	RADIAL BALL
F	FRONT	RH	RIGHT HAND
HI	HIGH	SP	SPRING
HYD	HYDRAULIC	ST	STRAIGHT
I	INNER	STD	STANDARD
INJ	INJECTION	T	TEETH
LH	LEFT HAND	TB	THRUST BALL
LW	LOWER	US	UNDER SIZE
MANF	MANIFOLD	UP	UPPER
MAX	MAXIMUM	W:	WITH
MECH	MECHANICAL	3P	THREE POINT
MIN	MINIMUM		

HOW TO USE THIS PARTS CATALOGUE

CATALOGUE CONSTRUCTION

Ref. No. Ref. N°	Parts No. Pieces N°	Description Designation	Q'ty Quant.				Remarks Remarques
			TX 1300	TX 1300F	TX 1500	TX 1500F	
A	B	C	D				

- A. Ref. No : It is a reference number to find parts in the drawings.
- B. Parts No : Every part has its own 12-digit code number with which it is computer-controlled.
Parts which have "V" at their code numbers' head are purchasable in the market.
- C. Description: Names, sizes, functions and other meanings of parts are found in this column.
"LH" and "RH" of parts are given by facing to the tractor-moving-forward direction or looking at them mounted on the tractor.
Components of an assembled part (ASS'Y or SET) are listed set in from ASS'Y or SET name and headed with ". " as in the following example:

(Example)

JOINT (A) ASS'Y

. YOKE (A), SPLINE

. JOINT, CROSS

. YOKE (B), SPLINE

. RING, SNAP/C TYPE 20

} Components of
JOINT (A) ASS'Y

Abbreviations which are used in this column are explained in Table page 2

- D. Q'ty: This column specifies the quantity of a part required for one tractor. "AR" is the abbreviation of "AS REQUIRED".
- E. Remarks: Additional notices are said here if any.

Explanation of symbols:

- ★ shows parts made to order.
- △ shows parts not sold as a single part.
- Ⓐ interchangeable with old and new type, (New ← ⊕ → Old)
- Ⓑ new type can be used on old type, (New → Old)
- Ⓒ old type cannot be used on new type.
- Ⓓ not interchangeable. (New ⇝ Old)

CONTENTS

ENGINE	PAGE
Fig. 1	CYLINDER HEAD 1 Culasse
Fig. 2	CRANK CASE 3 Carter moteur
Fig. 3	GEAR CASE AND OIL PAN 5 Couvercle inferieur
Fig. 4	PISTON AND CRANKSHAFT 7 Vilebrequin
Fig. 5	TIMING SYSTEM 11 Distribution
Fig. 6	OIL PUMP AND OIL FILTER 13 Systeme de graissage
Fig. 7	FUEL SUPPLY SYSTEM (KE 70-11GF 75-11GF TYPE) 15 Systeme d'alimentation
Fig. 7A	FUEL SUPPLY SYSTEM (KE 70-11GE 75-11GE TYPE) 17 Systeme d'alimentation
Fig. 8	FUEL INJECTION PUMP 19 Pompe d'injection
Fig. 9	NOZZLE AND NOZZLE HOLDER 23 Injecteur et corps
Fig. 10	GOVERNOR 25 Regulateur
Fig. 11	WATER PUMP 27 Pompe a eau
Fig. 12	INLET PIPE AND GASKET 29 Tuyau d'aspiration
Fig. 13	ELECTRIC EQUIPMENT 31 Equipment electrique
Fig. 14	ALTERNATOR 33 Alternateur
Fig. 15	STARTER 35 Demarreur

CHASSIS

PAGE

Fig. 16	AIR CLEANER AND RADIATOR SYSTEM	39
	Filtre a air et radiateur	
Fig. 17	MUFFLER SYSTEM	43
	Silencieux	
Fig. 18	FUEL TANK, BATTERY AND THROTTLE LEVER SYSTEM	45
	Reservoir et batterie	
Fig. 19	CLUTCH HOUSING AND CLUTCH PEDAL SYSTEM	49
	TX1300 - NO. 103150 Embayage	
	TX1300F - NO. 013253	
	TX1500 - NO. 103882	
	TX1500F - NO. 007348	
Fig. 19A	CLUTCH HOUSING AND CLUTCH PEDAL SYSTEM	51
	TX1300 NO. 103151 ~ Embayage	
	TX1300F NO. 013254 ~	
	TX1500 NO. 103883 ~	
	TX1500F NO. 007349 ~	
Fig. 22	FRONT P. T. O. SET (I)	57
	Prise de force av (I) (1)	
Fig. 23	FRONT P. T. O. SET (II)	61
	Prise de force av (II) (1)	
Fig. 25	CLUTCH CASE FOR FRONT P. T. O. UNIT	65
	Prise de force av (I) (II).. (2)	
Fig. 26	FRONT TRANSMISSION CASE SYSTEM	67
	Boite de vitesses av	
Fig. 27	REAR TRANSMISSION CASE SYSTEM	69
	Boite de vitesses ar	
Fig. 28	FRONT TRANSMISSION GEAR SYSTEM	73
	Arbres et demultiplicateur	
Fig. 29	SHIFTING SYSTEM	77
	Mecanisme de changement	
Fig. 30	SHIFTING SYSTEM (FRONT WHEEL DRIVE)	79
	Mechanisme de changement	
Fig. 31	P. T. O. SHAFT SYSTEM	83
	Arbre de prise de force	
Fig. 32	DIFFERENTIAL GEAR SYSTEM	85
	Commande et blocage du differentiel	
Fig. 34	REAR AXLE SYSTEM	87
	Arbre arriere avec portique	

		PAGE
Fig. 37	BRAKE SYSTEM (FOR E10, 11, 12, 40, 41, 42, 43, 50, 51, 52)	91
	Frein	
Fig. 38	BRAKE SYSTEM (FOR E20, 21, 22)	93
	Frein	
Fig. 39	BRAKE ROD SYSTEM	95
	Tringle et pedales	
Fig. 40	HAND BRAKE SYSTEM (FOR E20, 21, 22)	97
	Tringle et pedales (pour E20, E21, E22)	
Fig. 41	STEERING SYSTEM	99
	Direction	
Fig. 43	FRONT AXLE SYSTEM	101
	Essieu avant	
Fig. 44	FRONT WHEEL SYSTEM (2WD)	105
	Jante avant	
Fig. 46	FRONT AXLE CASE SYSTEM	107
	Boite de l'essieu avant	
Fig. 47	DRIVE SHAFT SYSTEM	109
	Demi arbre avant	
Fig. 48	FRONT DIFFERENTIAL SYSTEM	111
	Commande du differential avant	
Fig. 49	FRONT AXLE CASE AND KNUCKLE ARM SYSTEM	113
	Pivot et axe d'accouplement	
Fig. 50	FRONT WHEEL SYSTEM (4WD)	115
	Jante avant	
Fig. 52	HYDRAULIC CYLINDER CASE SYSTEM	119
	Mecanisme de relevage hydraulique	
Fig. 53	LIFT ARM SYSTEM	121
	Relevage bras	
Fig. 54	HYDRAULIC PIPING SYSTEM	123
	Hydraulique tuyautage	
Fig. 55	3 POINT LINK SYSTEM	125
	Attelage trois point	
Fig. 56	BONNET AND FRONT FRAME SYSTEM	129
	Carenage	
Fig. 57	SEAT AND FENDER SYSTEM	133
	Siege et aile	
Fig. 58	ELECTRICAL SYSTEM	135
	Equipement electrique	
Fig. 59	WIRING DIAGRAM	141
	Cablage diagramme	

	PAGE
Fig. 59A WIRING DIAGRAM	142
Cablage diagramme	
Fig. 62 TRAILER HITCH	143
Attelage de remorques	
Fig. 64 WEIGHT	145
Gueuses	
Fig. 67 MARK (ENGLISH I)	147
Etiquette (Anglais I)	
Fig. 68 MARK (ENGLISH II)	149
Etiquette (Anglais II)	
Fig. 69 MARK (FRENCH)	151
Etiquette	
Fig. 70 FOOT ACCELERATOR	153
Accelérateur au pied	
Fig. 71 TOOLS	155
Outils	
Fig. 72 SUB GEAR CASE SYSTEM	157
Boite de vitesse complete	
Fig. 73 CREEP GEAR SYSTEM	159
Reducteur	
Fig. 74 CREEP SHIFTER SYSTEM	161
Fourchette de baladeurs	
Fig. 75 AIR CLEANER (OPTION)	163
Filtre a air	

ENGINE

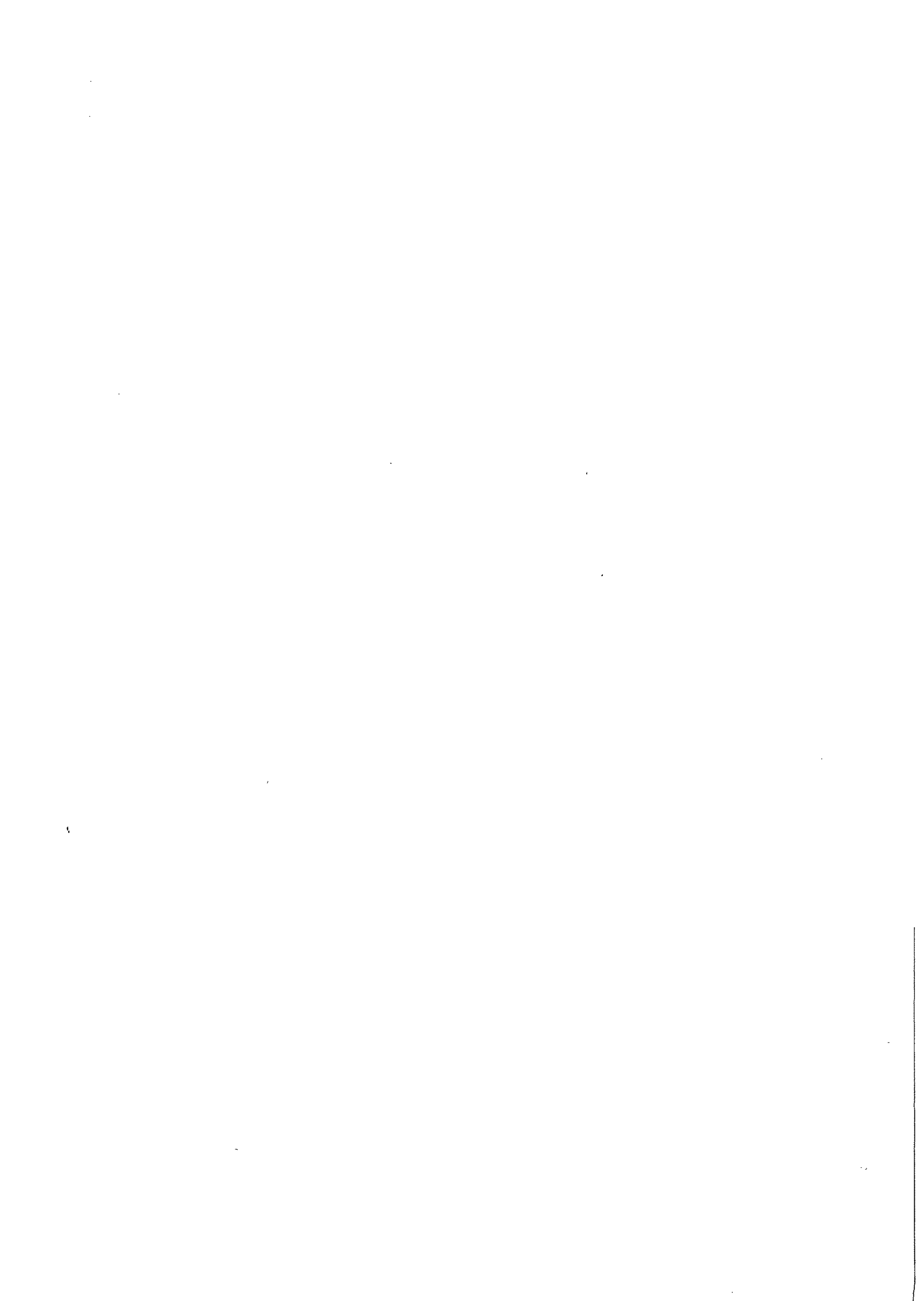
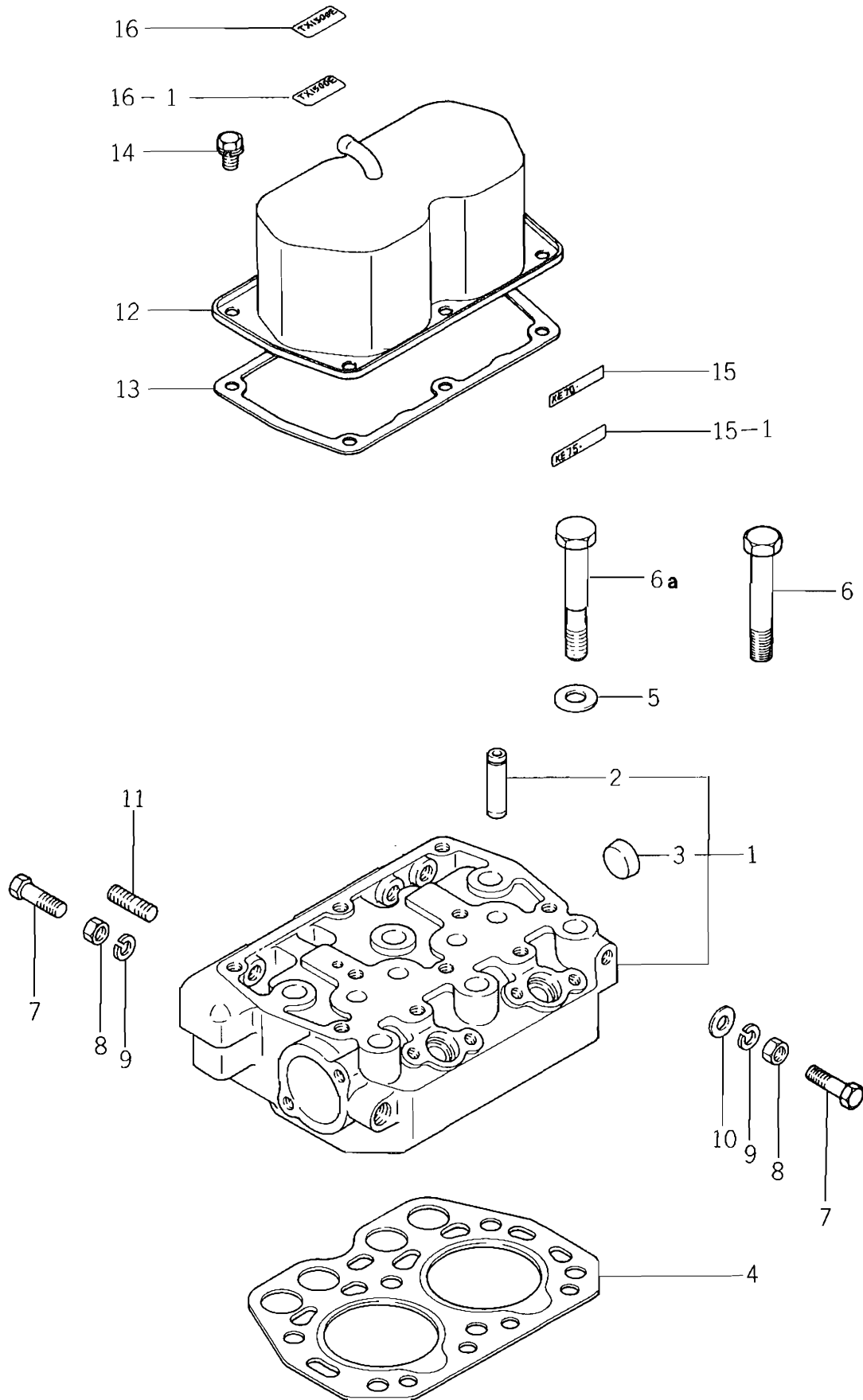
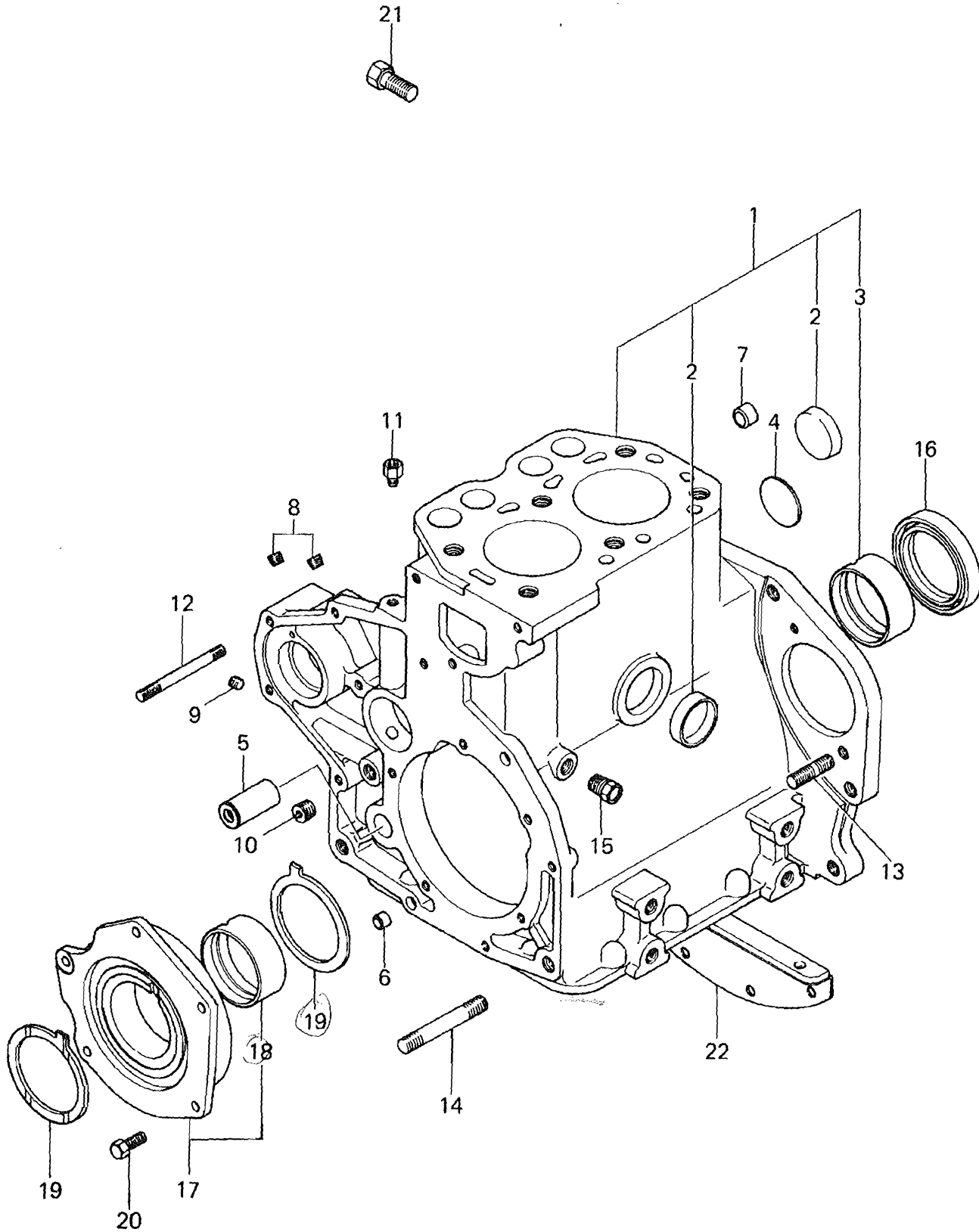


Fig. 1 CYLINDER HEAD
Culasse



Ref No. Réf No.	Parts No. Pièces No.	Description Désignation	Model & Q'ty Modél & Quant				Remarks Remarques
			TX 1300	TX 1300F	TX 1500	TX 1500F	
1- 1	5650-040-0281-0	HEAD, CYL ASSY Culasse	1	1			MM400281
1- 1a	5650-040-0285-0	HEAD, CYL ASSY Culasse	1	1			MM400285 (A) ENO. 51301-
1- 1-1	5650-040-0365-0	HEAD, CYL ASSY Culasse			1	1	MM400365
1- 1-1a	5650-040-0366-0	HEAD, CYL ASSY Culasse			1	1	MM400366 (A) ENO. 44178-
1- 2	5650-040-4298-0	• GUIDE VALVE Guide soupape	4	4	4	4	MM404298
1- 3	5660-066-5538-0	• CAP, SEALING Pastille	1	1	1	1	MF665538
1- 4	5650-040-0291-0	GASKET, CYL HEAD Joint de culasse	1	1			MM400291
1- 4a	5650-040-0292-0	GASKET, CYL HEAD Joint de culasse	1	1			MM400292 (A) ENO. 44725-
1- 4b	5650-040-0293-0	GASKET, CYL HEAD Joint de culasse	1	1			MM400293 (A) ENO. 51301-
1- 4-1	5650-040-0372-0	GASKET, CYL HEAD Joint de culasse			1	1	MM400372
1- 4-1a	5650-040-0374-0	GASKET, CYL HEAD Joint de culasse			1	1	MM400374 (A) ENO. 37438-
1- 4-1b	5650-040-0375-0	GASKET, CYL HEAD Joint de culasse			1	1	MM400375 (A) ENO. 44178-
1- 5	5667-510-2500-0	WASHER/M14 Rondelle	6	6	6	6	K7510250 (C) 1300 ENO. 43399- 1500 ENO. 35633-
1- 6	5660-010-1354-0	BOLT/M14×90 7T Vis	6	6	6	6	MF101354
1- 6a	5650-031-6305-0	BOLT/M14×97 7T Vis	6	6	6	6	MM316305 (C) 1300 ENO. 43399- 1500 ENO. 35633-
1- 7	5650-040-0298-0	BOLT, ENGINE HANGER Vis	2	2	2	2	MM400298
1- 8	5660-043-0006-0	NUT/M10 Ecroû	2	2	2	2	MF430006
1- 9	5660-045-0406-0	WASHER, SP/M10 Rondelle frein	2	2	2	2	MF450406
1-10	5660-045-0006-0	WASHER/M10 Rondelle	1	1	1	1	MF450006
1-11	5660-040-2583-0	STUD/M10×20 7T Goujon	2	2	2	2	MF402583
1-12	5650-040-0320-0	COVER, ROCKER ASSY Cache culbuteurs	1	1	1	1	MM400320
1-12a	5650-040-0325-0	COVER, ROCKER ASSY Cache culbuteurs	1	1	1	1	MM400325 (A) 1300 ENO. 45108- 1500 ENO. 38250-
1-13	5650-040-0330-0	GASKET, ROCKER COVER Joint de pipe	1	1	1	1	MM400330
1-14	5660-024-0051-0	BOLT, SEMS/M8×16 7T Vis	6	6	6	6	MF240051
1-15	5650-040-1932-0	LABEL, ENGINE NO. Etiquette	1	1			MM401932 ENO. 49454-
1-15-1	5650-040-1931-0	LABEL, ENGINE NO. Etiquette			1	1	MM401931 ENO. 41166-
1-16	5650-040-1957-0	LABEL/KE70-11GE Etiquette	1	1			MM401957
1-16-1	5650-040-1958-0	LABEL/KE75-11GE Etiquette			1	1	MM401958

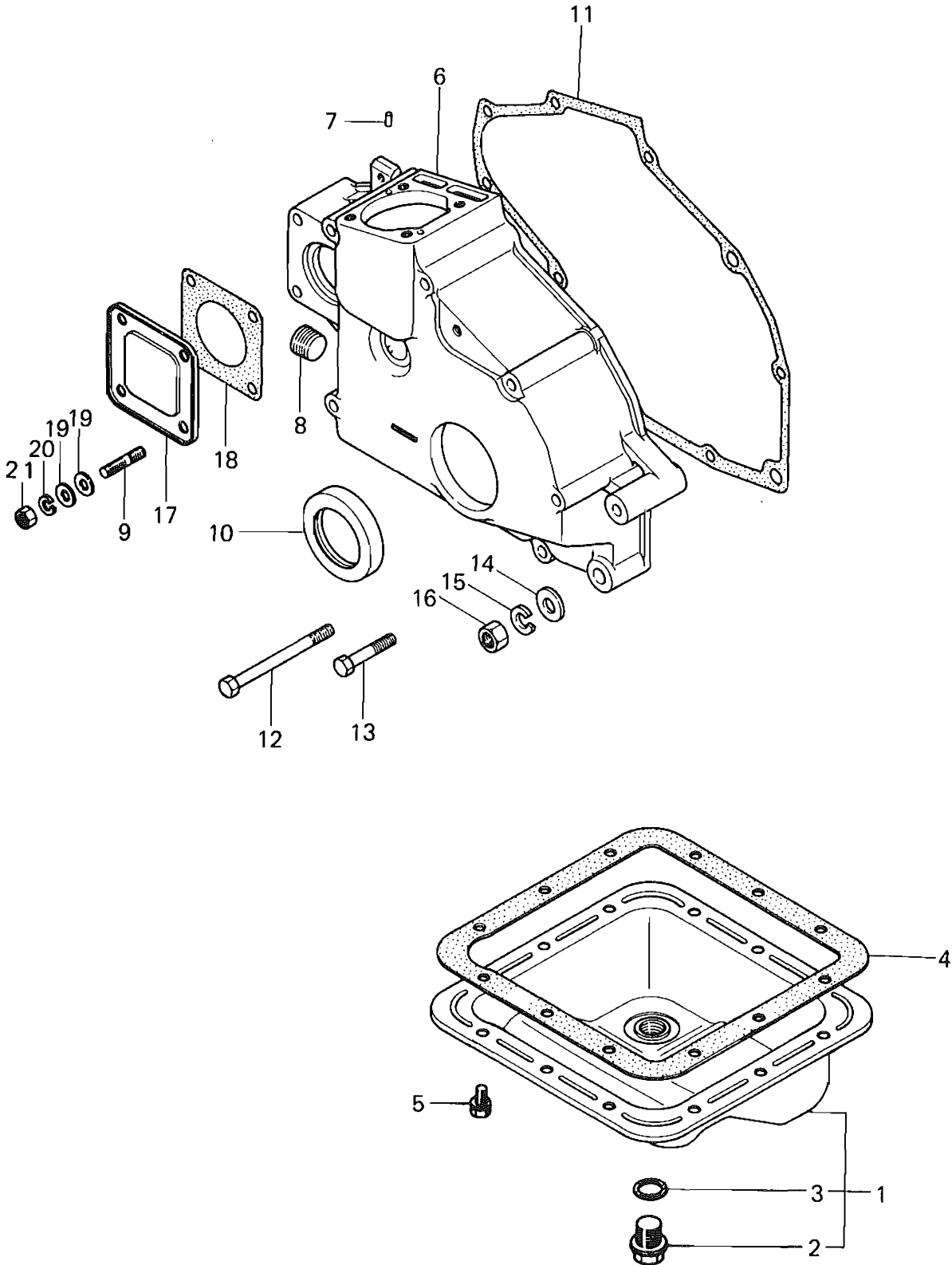
Fig. 2 CRANK CASE
Carter moteur



Ref No. Réf No.	Parts No. Pièces No.	Description Désignation	Model & Q'ty Modél & Quant				Remarks Remarques
			TX 1300	TX 1300F	TX 1500	TX 1500F	
2- 1	5650-040-0211-0	CASE, CRANK SUB ASSY Carter	1	1			MM400211
2- 1a	5650-040-0212-0	CASE, CRANK SUB ASSY Carter	1	1			MM400212 (A) ENO. 51301-
2- 1-1	5650-040-0351-0	CASE, CRANK SUB ASSY Carter			1	1	MM400351
2- 1-1a	5650-040-0348-0	CASE, CRANK SUB ASSY Carter			1	1	MM400348 (A) ENO. 44178-
2- 2	5663-000-4270-0	• PLUG, EXPANSION/40 Pastille	1	1	1	1	MD000427
2- 3	5650-040-0240-0	• BEARING, CRANK/STD Cousinet standard	1	1	1	1	MM400240
2- 3-1	5650-040-0241-0	• BEARING, CRANK/0.25 OS Cousinet -0.25	1	1	1	1	MM400241
2- 3-2	5650-040-0242-0	• BEARING, CRANK/0.50 OS Cousinet -0.50	1	1	1	1	MM400242
2- 3-3	5650-040-0243-0	• BEARING, CRANK/0.75 OS Cousinet -0.75	1	1	1	1	MM400243
2- 4	5660-066-5511-0	PLUG, EXPANSION/40 Opercule	1	1	1	1	MF665511
2- 5	5650-040-1002-0	SHAFT, GOVERNOR GEAR Axe	1	1	1	1	MM401002
2- 6	5661-047-1104-0	BUSH, KNOCK/8x9 Fourreau	2	2	2	2	MS471104
2- 7	5650-040-1988-0	BUSH, KNOCK R./12x11 Fourreau	2	2	2	2	MM401988
X 2- 8	5661-066-1200-0 5661-066-1120-0	PLUG, TAPER / 1/8 Boisseau	2	2	2	2	MS661200 info n° 81-40(1/1) Dec. 26, 81
2- 9	5663-016-2390-0	PLUG, TAPER / 1/16 Boisseau	2	2	2	2	MD016239
2-10	5668-311-0610-0	PLUG, TAPER / 1/4 Boisseau	1	1	1	1	K8311061
2-11	5668-110-1700-0	CONNECTOR Raccord	1	1	1	1	K8110170
2-12	5651-402-0807-0	STUD/M8x75 Goujon	2	2	2	2	MK40208075
2-13	5660-040-2585-0	STUD/M10x25 7T Goujon	2	2	2	2	MF402585
2-14	5660-040-2621-0	STUD/M12x65 7T Goujon	2	2	2	2	MF402621
2-15	5663-000-2690-0	PLUG, DRAIN Purgeur	1	1	1	1	MD000269
2-16	5650-040-0235-0	SEAL, OIL Joint a levres	1	1	1	1	MM400235
2-17	5650-040-0255-0	HOUSING, BEARING ASSY Flasque ensemble	1	1	1	1	MM400255
2-18	5650-040-0240-0	• BEARING, CRANK/STD Cousinet standard	1	1	1	1	MM400240
2-18-1	5650-040-0241-0	• BEARING, CRANK/0.25 US Cousinet -0.25	1	1	1	1	MM400241
2-18-2	5650-040-0242-0	• BEARING, CRANK/0.50 US Cousinet -0.50	1	1	1	1	MM400242
2-18-3	5650-040-0243-0	• BEARING, CRANK/0.75 US Cousinet -0.75	1	1	1	1	MM400243
2-19	5650-040-0260-0	BEARING, CRANK THRUST Rondelle d'appui	2	2	2	2	MM400260
2-20	5660-010-1255-0	BOLT/M8x20 7T Vis	5	5	5	5	MF101255
2-21	5660-010-0110-0	BOLT/M12x25 Vis	4	4	4	4	MF100110
2-22	5650-040-1896-0	PLATE, R. Contre plaque	1	1	1	1	MM401896

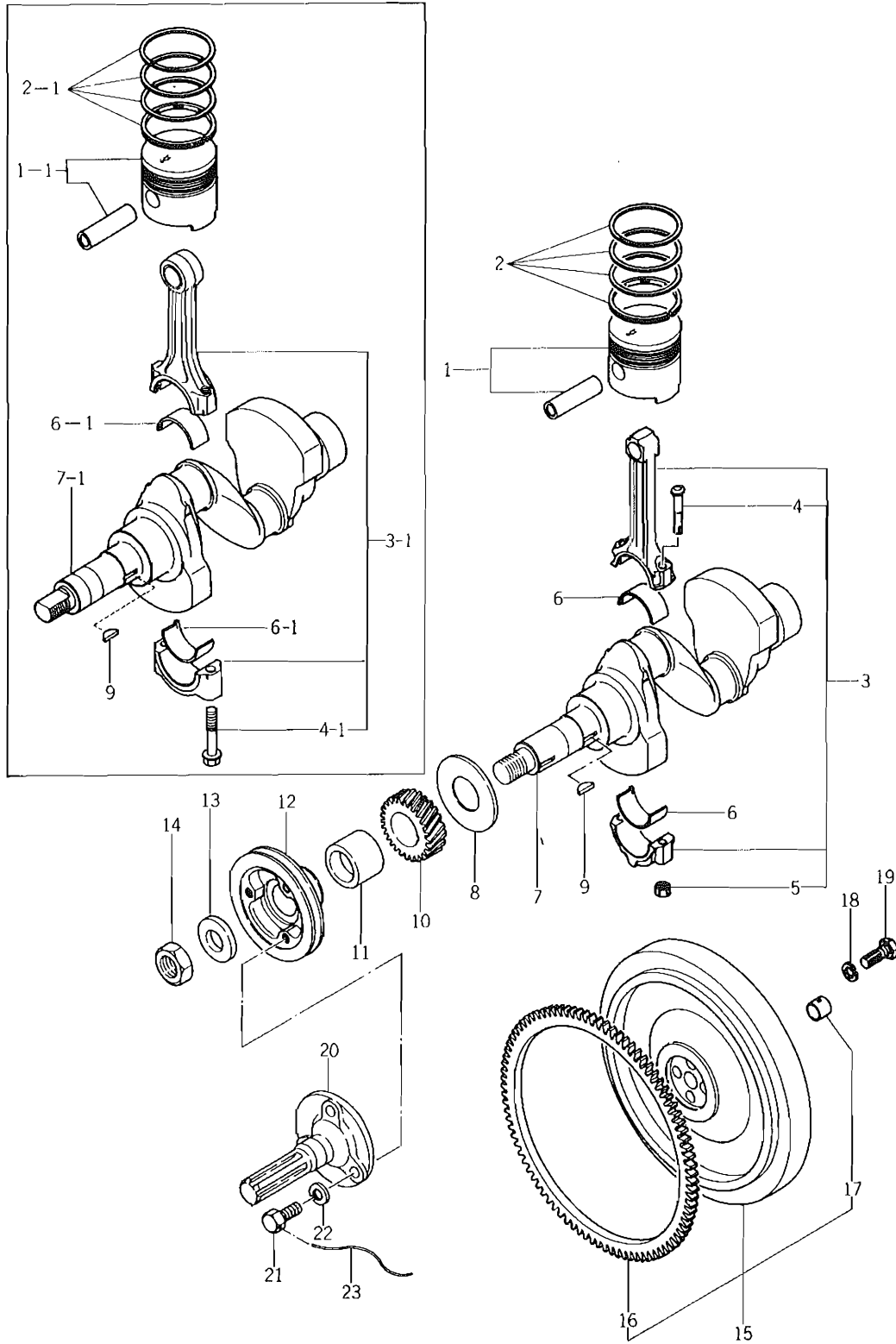
Fig. 3

GEAR CASE AND OIL PAN
Couvercle inferieur



Ref N ^o .	Parts No.	Description	Model & Q'ty				Remarks
			Modél & Quant				
Réf N ^o .	Pièces No.	Désignation	TX 1300	TX 1300 F	TX 1500	TX 1500 F	Remarques
3- 1	5650-040-0440-0	PAN, OIL ASSY Carter d'huile	1	1	1	1	MM400440
3- 2	5663-000-3180-0	• PLUG, OIL DRAIN Purgeur	1	1	1	1	MD000318
3- 3	5663-000-3120-0	• GASKET, DRAIN PLUG Joint	1	1	1	1	MD000312
3- 4	5650-040-0460-0	GASKET, OIL PAN Joint	1	1	1	1	MM400460
3- 5	5660-024-0051-0	BOLT, SEMS/M8×16 7T Vis	12	12	12	12	MF240051
3- 6	5650-040-0410-0	CASE, GEAR Carter de distribution	1	1	1	1	MM400410
3- 7	5663-000-2680-0	PIN, DOWEL Goupille	2	2	2	2	MD000268
3- 8	5661-066-1123-0	PLUG, TAPER Boisseau	1	1	1	1	MS661123
3- 9	5660-040-4526-0	STUD/M8×22 7T Goujon	2	2	2	2	MF404526
3-10	5668-313-3900-0	SEAL, OIL Joint a levres	1	1	1	1	K8313390
3-11	5650-040-0420-0	GASKET, GEAR CASE Joint de carter	1	1	1	1	MM400420
3-12	5660-010-0074-0	BOLT/M8×100 Vis	4	4	4	4	MF100074
3-13	5660-010-0064-0	BOLT/M8×45 Vis	2	2	2	2	MF100064
3-14	5660-045-0007-0	WASHER/M12 Rondelle	2	2	2	2	MF450007
3-15	5660-045-0407-0	WASHER, SP/M12 Rondelle	2	2	2	2	MF450407
3-16	5660-043-0007-0	NUT/M12 Ecroû	2	2	2	2	MF430007
3-17	5667-910-4510-0	COVER, OIL PUMP SHAFT Couverture de pompe	1	1	1	1	K7910451
3-18	5667-910-4600-0	GASKET, PUMP COVER Joint	1	1	1	1	K7910460
3-18a	5650-040-1206-0	GASKET, PUMP COVER Joint	1	1	1	1	MM401206 (A) 1300 ENO. 41690- 1500 ENO. 32333-
3-19	5661-045-0035-0	WASHER/M8 Rondelle	8	8	8	8	MS450035
3-20	5660-045-0405-0	WASHER, SP/M8 Rondelle	4	4	4	4	MF450405
3-21	5660-043-0005-0	NUT/M8 Ecroû	4	4	4	4	MF430005

Fig. 4 PISTON AND CRANKSHAFT
Vilebrequin



2
2

TX1300 (KE-70)

ENGINE NO. 51001 ~ 59277

SIZE	PIN, PISTON NO.	RING, PISTON SET NO.
STD	5650-040-663-00	5650-040-666-00
0.25	5650-040-663-10	5650-040-666-10
0.50	5650-040-663-20	5650-040-666-20
0.75	5650-040-663-30	5650-040-666-30
1.00	5650-040-663-40	5650-040-666-40

ENGINE NO. 59278 ~

SIZE	PIN, PISTON NO.	RING, PISTON SET NO.
STD	5650-041-277-00	5650-040-666-00
0.25	5650-041-277-10	5650-040-666-10
0.50	5650-041-277-20	5650-040-666-20
0.75	5650-041-277-30	5650-040-666-30
1.00	5650-041-277-40	5650-040-666-40

TX1500 (KE-75)

ENGINE NO. 44107 ~ 50324

SIZE	PIN, PISTON NO.	RING, PISTON SET NO.
STD	5650-040-664-00	5650-040-660-60
0.25	5650-040-664-10	5650-040-660-60
0.50	5650-040-664-20	5650-040-660-70
0.75	5650-040-664-30	5650-040-660-80
1.00	5650-040-664-40	5650-040-660-90

ENGINE NO. 50325 ~

SIZE	PIN, PISTON NO.	RING, PISTON SET NO.
STD	5650-041-277-50	5650-040-638-50
0.25	5650-041-277-60	5650-040-660-60
0.50	5650-041-277-70	5650-040-660-70
0.75	5650-041-277-80	5650-040-660-80
1.00	5650-041-277-90	5650-040-660-90

TX-1300 (KE-70)

PISTON W:PIN

RING,PISTON/SET

MM406440	STD	MM406600	STD	
MM406441	0.25	MM406601	0.25	ENGINE NO. 41269-51000
MM406442	0.50	MM406602	0.50	
MM406443	0.75	MM406603	0.75	
MM406444	1.00	MM406604	1.00	

MM406630	STD	MM406600	STD	
MM406631	0.25	MM406601	0.25	ENGINE NO. 51001-59277
MM406632	0.50	MM406602	0.50	
MM406633	0.75	MM406603	0.75	
MM406634	1.00	MM406604	1.00	

MM412770	STD	MM406600	STD	
MM412771	0.25	MM406601	0.25	ENGINE NO. 59278-
MM412772	0.50	MM406602	0.50	
MM412773	0.75	MM406603	0.75	
MM412774	1.00	MM406604	1.00	

TX1500 (KE-75)

PISTON W:PIN

RING,PISTON/SET

MM400470	STD	MM400805	STD	
MM400471	0.25	MM400806	0.25	ENGINE NO. 7285-32790
MM400472	0.50	MM400807	0.50	
MM400473	0.75	MM400808	0.75	
MM400474	1.00	MM400809	1.00	

MM406505	STD	MM406605	STD	
MM406482	0.25	MM406606	0.25	ENGINE NO. 32791-44106
MM406483	0.50	MM406607	0.50	
MM406484	0.75	MM406608	0.75	
MM406485	1.00	MM406609	1.00	

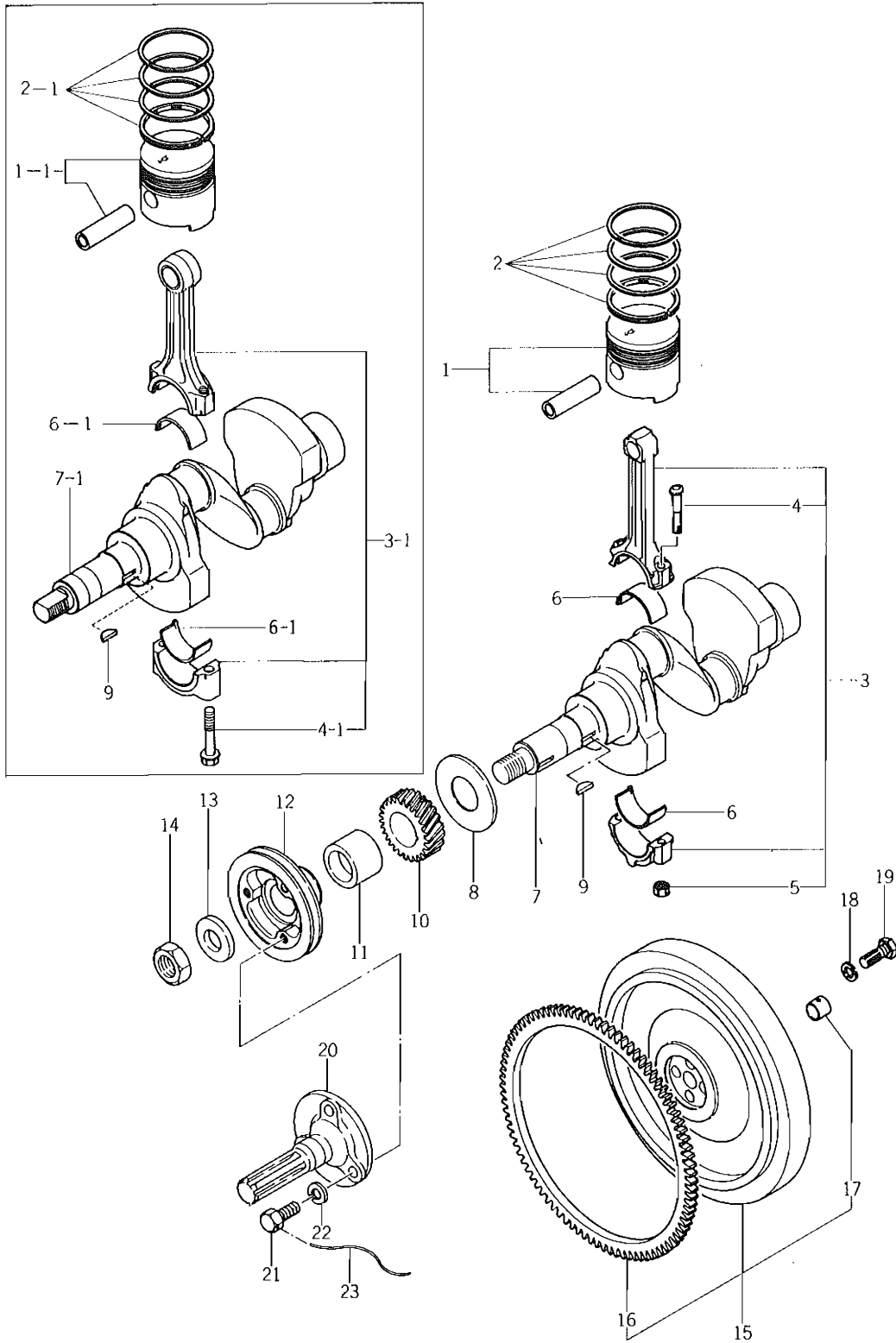
MM406640	STD	MM406605	STD	
MM406641	0.25	MM406606	0.25	ENGINE NO. 44107-50324
MM406642	0.50	MM406607	0.50	
MM406643	0.75	MM406608	0.75	
MM406644	1.00	MM406609	1.00	

MM412775	STD	MM406605	STD	
MM412776	0.25	MM406606	0.25	ENGINE NO. 50325-
MM412777	0.50	MM406607	0.50	
MM412778	0.75	MM406608	0.75	
MM412779	1.00	MM406609	1.00	



Ref No. Réf No.	Parts No. Pièces No.	Description Désignation	Model & Q'ty Modél & Quant				Remarks Remarques
			TX 1300	TX 1300 F	TX 1500	TX 1500 F	
4- 1	5650-040-6440-0	PISTON W:PIN/STD Piston et axe standard	2	2			MM406440
	5650-040-6441-0	PISTON W:PIN/0.25 OS Piston et axe +0.25	2	2			MM406441
	5650-040-6442-0	PISTON W:PIN/0.50 OS Piston et axe +0.50	2	2			MM406442
	5650-040-6443-0	PISTON W:PIN/0.75 OS Piston et axe +0.75	2	2			MM406443
	5650-040-6444-0	PISTON W:PIN/1.00 OS Piston et axe +1.00	2	2			MM406444
X 4- 1a	5650-040-6630-0 5650-041-2770-0	PISTON W:PIN/STD Piston et axe standard	2	2			MM406630 (A) or TX 1300, 1300F
	5650-040-6631-0 5650-041-2771-0	PISTON W:PIN/0.25 OS Piston et axe +0.25	2	2			MM406631
	5650-040-6632-0 5650-041-2772-0	PISTON W:PIN/0.50 OS Piston et axe +0.50	2	2			MM406632 (B) ENO. 51001- Appl. p. with specif. engine numbers:
	5650-040-6633-0 5650-041-2773-0	PISTON W:PIN/0.75 OS Piston et axe +0.75	2	2			MM406633 TX 1300, 1300F E# 59278
	5650-040-6634-0 5650-041-2774-0	PISTON W:PIN/1.00 OS Piston et axe +1.00	2	2			MM406634 TX 1500, 1500F E# 50325
4- 1- 1	5650-040-0470-0	PISTON W:PIN/STD Piston et axe standard			2	2	MM400470
	5650-040-0471-0	PISTON W:PIN/0.25 OS Piston et axe +0.25			2	2	MM400471
	5650-040-0472-0	PISTON W:PIN/0.50 OS Piston et axe +0.50			2	2	MM400472
	5650-040-0473-0	PISTON W:PIN/0.75 OS Piston et axe +0.75			2	2	MM400473
	5650-040-0474-0	PISTON W:PIN/1.00 OS Piston et axe +1.00			2	2	MM400474
4- 1- 1a	5650-040-6505-0	PISTON W:PIN/STD Piston et axe standard			2	2	MM406505
	5650-040-6482-0	PISTON W:PIN/0.25 OS Piston et axe +0.25			2	2	MM406482
	5650-040-6483-0	PISTON W:PIN/0.50 OS Piston et axe +0.50			2	2	MM406483 (C) ENO. 32791-
	5650-040-6484-0	PISTON W:PIN/0.75 OS Piston et axe +0.75			2	2	MM406484
	5650-040-6485-0	PISTON W:PIN/1.00 OS Piston et axe +1.00			2	2	MM406485
X 4- 1- 1b	5650-040-6640-0 5650-041-2775-0	PISTON W:PIN/STD Piston et axe standard			2	2	MM406640 (A) TX 1500, 1500F
	5650-040-6641-0 5650-041-2776-0	PISTON W:PIN/0.25 OS Piston et axe +0.25			2	2	MM406641
	5650-040-6642-0 5650-041-2777-0	PISTON W:PIN/0.50 OS Piston et axe +0.50			2	2	MM406642 Jan. '80- Appl. p. with specif. engine numbers:
	5650-040-6643-0 5650-041-2778-0	PISTON W:PIN/0.75 OS Piston et axe +0.75			2	2	MM406643 TX 1300, 1300F E# 59278-
	5650-040-6644-0 5650-041-2779-0	PISTON W:PIN/1.00 OS Piston et axe +1.00			2	2	MM406644 TX 1500, 1500F E# 50325-
4- 2	5650-040-6600-0	RING, PISTON SET/STD Segmentation standard	2	2			MM406600
	5650-040-6601-0	RING, PISTON SET/0.25 Segmentation +0.25	2	2			MM406601
	5650-040-6602-0	RING, PISTON SET/0.50 Segmentation +0.50	2	2			MM406602
	5650-040-6603-0	RING, PISTON SET/0.75 Segmentation +0.75	2	2			MM406603
	5650-040-6604-0	RING, PISTON SET/1.00 Segmentation +1.00	2	2			MM406604
4- 2- 1	5650-040-0805-0	RING, PISTON SET/STD Segmentation standard			2	2	MM400805
	5650-040-0806-0	RING, PISTON SET/0.25 Segmentation +0.25			2	2	MM400806
	5650-040-0807-0	RING, PISTON SET/0.50 Segmentation +0.50			2	2	MM400807
	5650-040-0808-0	RING, PISTON SET/0.75 Segmentation +0.75			2	2	MM400808
	5650-040-0809-0	RING, PISTON SET/1.00 Segmentation +1.00			2	2	MM400809
4- 2- 1a	5650-040-6605-0	RING, PISTON SET/STD Segmentation standard			2	2	MM406605
	5650-040-6606-0	RING, PISTON SET/0.25 Segmentation +0.25			2	2	MM406606 (C) ENO. 32791-
	5650-040-6607-0	RING, PISTON SET/0.50 Segmentation +0.50			2	2	MM406607

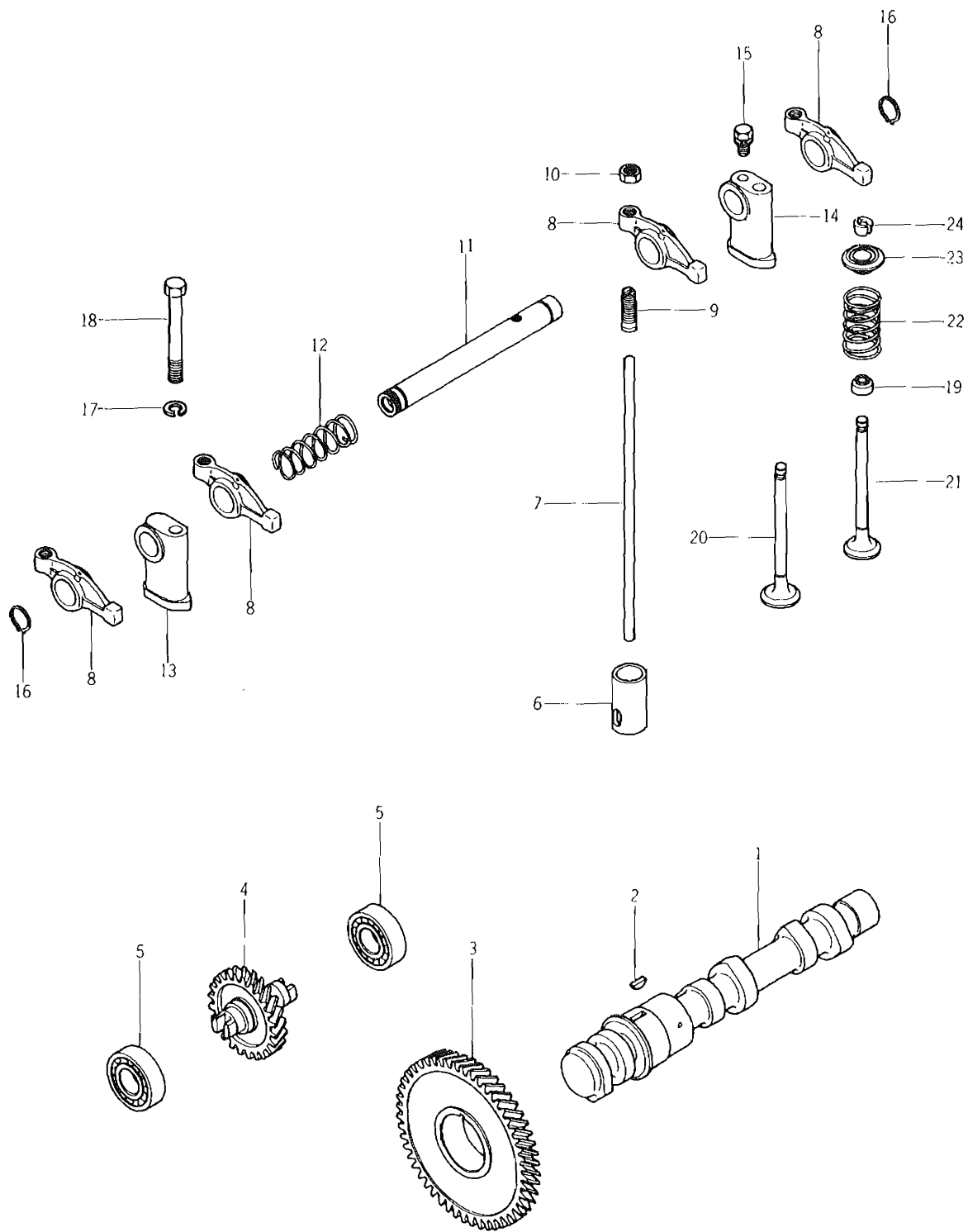
Fig. 4 PISTON AND CRANKSHAFT
Vilebrequin



Ref No. Réf No.	Parts No. Pièces No.	Description Désignation	Model & Q'ty Modél & Quant				Remarks Remarques
			TX 1300	TX 1300 F	TX 1500	TX 1500 F	
4- 2- 1a	5650-040-6608-0	RING, PISTON SET/0.75 Segmentation +0.75			2	2	MM406608 } MM406609 } *C ENO. 32791-
	5650-040-6609-0	RING, PISTON SET/1.00 Segmentation +1.00			2	2	
4- 3	5663-002-7000-0	ROD, CONN ROD Bielle	2	2			MD002700
4- 4	5663-000-7030-0	• BOLT, CONN ROD Vis	4	4			MD000703
4- 5	5663-000-7040-0	• NUT Écrou	4	4			MD000704
4- 3-1	5650-040-0630-0	ROD, CONN ASSY Bielle			2	2	MM400630
4- 4-1	5650-040-4539-0	• BOLT, CONN ROD Vis			4	4	MM404539
4- 6	5650-040-0690-0	BRG, ROD SET/STD Cousinnet de bielle	2	2			MM400690
	5650-040-0691-0	BRG, ROD SET/0.25 US Cousinnet de bielle	2	2			MM400691
	5650-040-0692-0	BRG, ROD SET/0.50 US Cousinnet de bielle	2	2			MM400692
	5650-040-0693-0	BRG, ROD SET/0.75 US Cousinnet de bielle	2	2			MM400693
4- 6-1	5650-040-0650-0	BRG, ROD SET/STD Cousinnet de bielle			2	2	MM400650
	5650-040-0651-0	BRG, ROD SET/0.25 US Cousinnet de bielle			2	2	MM400651
	5650-040-0652-0	BRG, ROD SET/0.50 US Cousinnet de bielle			2	2	MM400652
	5650-040-0653-0	BRG, ROD SET/0.75 US Cousinnet de bielle			2	2	MM400653
4- 7	5650-040-0554-0	CRANKSHAFT Vilebrequin	1	1			MM400554
4- 7-1	5650-040-0557-0	CRANKSHAFT Vilebrequin			1	1	MM400557
4- 8	5650-040-0580-0	PLATE Disque	1	1	1	1	MM400580
4- 9	5660-047-6216-0	KEY, WOODRUFF/5×22 Clavette disque	2	2	2	2	MF476216
4-10	5650-040-0560-0	GEAR, CRANK Pignon	1	1	1	1	MM400560
4-11	5650-040-0578-0	PIECE, DISTANCE Entretôise	1	1	1	1	MM400578
4-12	5650-040-0574-0	PULLEY, CRANK Entretôise	1	1	1	1	MM400574
4-13	5669-624-1200-0	WASHER Rondelle	1	1	1	1	K9624120
4-14	5660-043-0733-0	NUT/M24 Écrou	1	1	1	1	MF430733
4-15	5650-040-0590-0	FLYWHEEL ASSY Volant d'inertie ensemble	1	1	1	1	MM400590
4-16	5663-000-6120-0	• GEAR, RING Couronne	1	1	1	1	MD000612
4-17	5650-040-0610-0	• BUSH, CRANKSHAFT Cousinnet	1	1	1	1	MM400610
4-18	5663-014-2360-0	WASHER, SP/M12 Rondelle frein	4	4	4	4	MD014236
4-19	5663-002-6200-0	BOLT/M12×30.5 Vis	4	4	4	4	MD002620
4-20	1427-102-0010-0	SHAFT, ENGINE PTO Arbre	1	1	1	1	
4-21	1427-102-0020-0	BOLT/M10×25 Vis	3	3	3	3	
4-22	V401-160-0100-0	WASHER, SP/M10 Rondelle frein	3	3	3	3	
4-23		WIRE/1×250 Fil	1	1	1	1	

* NOTE: Modified parts can be installed on old model by replacing both parts
(Ref No. 4- 1- 1a and 4- 2- 1a).

Fig. 5
TIMING SYSTEM
Distribution



Ref No. Réf N°.	Parts No. Pièces N°.	Description Désignation	Model & Q'ty Modél & Quant				Remarks Remarques
			TX 1300	TX 1300 F	TX 1500	TX 1500 F	
5- 1	5650-040-0713-0	CAMSHAFT Arbre a cames	1	1	1	1	MM400713
5- 2	5660-047-6214-0	KEY, WOODRUFF/5 × 16 Clavette disque	1	1	1	1	MF476214
5- 3	5650-040-0720-0	GEAR, CAMSHAFT Engrenage d'ac	1	1	1	1	MM400720
5- 4	5650-040-1200-0	GEAR, PRESS OIL PUMP Pignon de pompe	1	1	1	1	MM401200
5- 5	5667-831-1600-0	BEARING, RB Roulement	2	2	2	2	K7831160
5- 6	5650-040-4760-0	TAPPET Poussoir	4	4	4	4	MM404760
5- 7	5650-040-0740-0	ROD, PUSH Tige de culbuteur	4	4	4	4	MM400740
5- 8	5669-432-2230-0	ARM, ROCKER W:BUSH Culbuteur	4	4	4	4	K9432223
5- 9	5667-231-2200-0	SCREW, ADJUST Vis de réglage	4	4	4	4	K7231220
5-10	5660-043-0726-0	NUT, JAM/M10 Ecrou	4	4	4	4	MF430726
5-11	5650-040-0775-0	SHAFT, ROCKER ASSY Axe de culbuteurs	1	1	1	1	MM400775
5-12	5663-000-9630-0	SPRING, ROCKER SHAFT Ressort	1	1	1	1	MD000963
5-13	5650-040-0780-0	STAY, ROCKER F Appui av	1	1	1	1	MM400780
5-14	5650-040-0785-0	STAY, ROCKER R Appui ar	1	1	1	1	MM400785
5-15	5660-024-1251-0	BOLT/M8 × 16 Vis	1	1	1	1	MF241251
5-16	5660-052-2010-0	RING, SNAP/19 Collet d'axe	2	2	2	2	MF522010
5-17	5660-045-0406-0	WASHER, SP/M10 Rondelle frein	2	2	2	2	MF450406
5-18	5660-010-1299-0	BOLT/M10 × 80 Vis	2	2	2	2	MF101299
5-19	5669-631-2910-0	SEAL, VALVE STEM Joint de soupape	4	4	4	4	K9631291
5-20	5650-040-0750-0	VALVE, INLET Soupape d'admission	2	2	2	2	MM400750
5-21	5650-040-0755-0	VALVE, EXH Soupape d'echappt	2	2	2	2	MM400755
5-22	5663-000-5000-0	SPRING, VALVE Ressort de soupape	4	4	4	4	MD000500
5-23	5663-005-5050-0	RETAINER, SPRING Cuvette	4	4	4	4	MD005505
5-24	5663-000-5060-0	LOCK, RETAINER Arretoir	8	8	8	8	MD000506

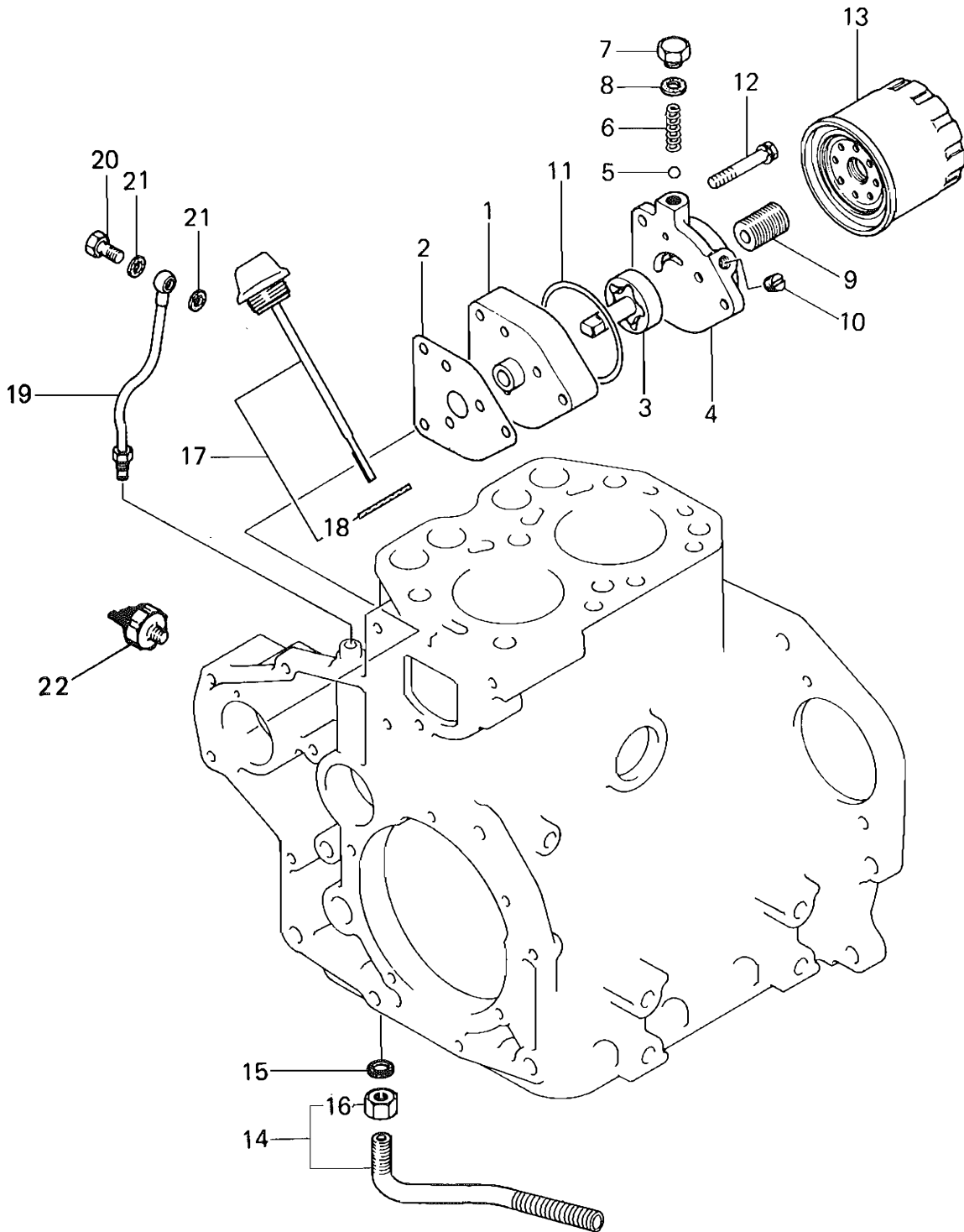
July 1980
1400-098-0021-0

July 1980
1400-098-0021-0

July 1980
1400-098-0021-0

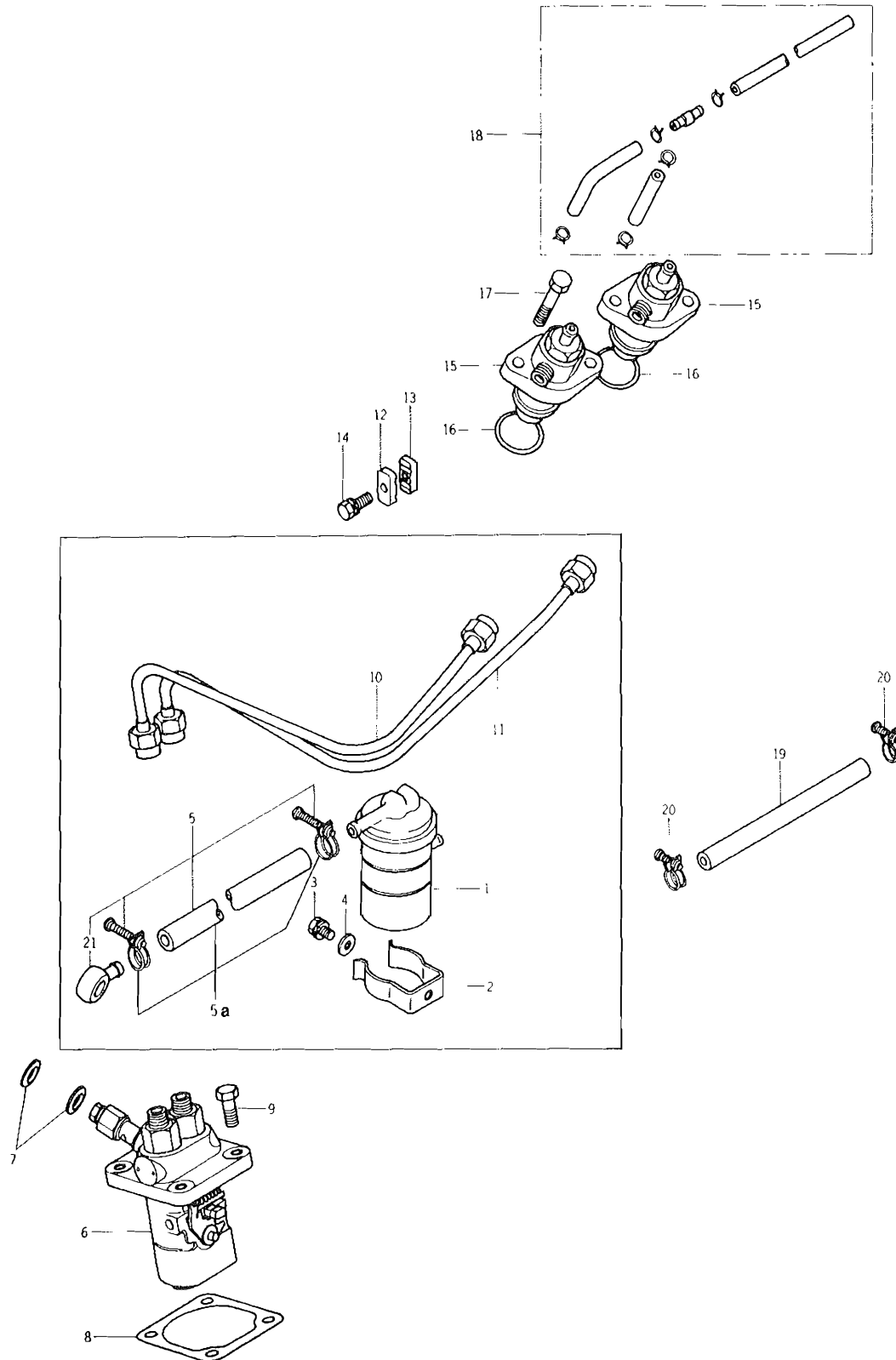
July 1980
1400-098-0021-0

Fig. 6 OIL PUMP AND OIL FILTER
Système de graissage



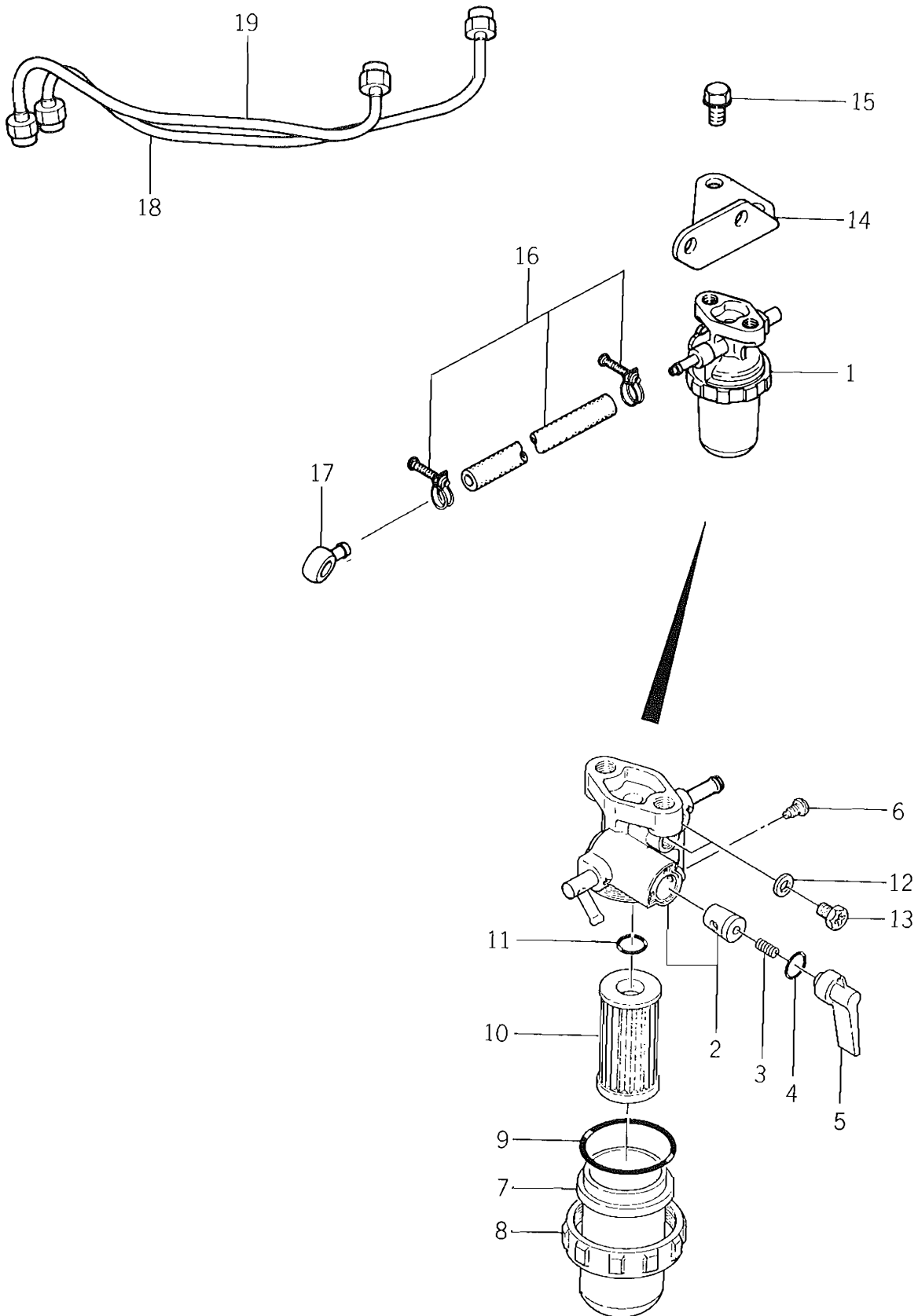
Ref No. Réf No.	Parts No. Pièces No.	Description Désignation	Model & Q'ty Modél & Quant				Remarks Remarques
			TX 1300	TX 1300 F	TX 1500	TX 1500 F	
6- 1	5650-040-1211-0	BODY, OIL PUMP Corps de pompe	1	1	1	1	MM401211
6- 2	5650-040-1218-0	GASKET, PUMP BODY Joint	1	1	1	1	MM401218
6- 3	5650-040-1220-0	ROTOR ASSY Rotor	1	1	1	1	MM401220
6- 3a	5650-040-1221-0	ROTOR ASSY Rotor	1	1	1	1	MM401221 (A) 1300 ENO. 41268- 1500 ENO. 31126-
6- 4	5650-040-1251-0	COVER Couvercle	1	1	1	1	MM401251
6- 5	5661-054-0010-0	BALL / 5/16" Detendeur	1	1	1	1	MF540010
6- 6	5650-040-1260-0	SPRING, OIL RELIEF Ressort de detendeur	1	1	1	1	MM401260
6- 7	5660-066-5002-0	PLUG Bouchon	1	1	1	1	MF665002
6- 8	5660-066-0033-0	GASKET/10 Joint	1	1	1	1	MF660033
6- 9	5669-461-4010-0	SHAFT, OIL FILTER Vis de filtre	1	1	1	1	K9461401
6-10	5650-900-3010-0	PLUG, TAPER / 1/8" Fausset	1	1	1	1	MG103877
6-11	5650-040-1266-0	O-RING Joint torique	1	1	1	1	MM401266
6-12	5660-024-1263-0	BOLT/M8 x 50 7T Vis	3	3	3	3	MF241263
6-13	5669-665-4000-0	FILTER, OIL ASSY Filtre à huile	1	1	1	1	K9665400
6-14	5650-040-1282-0	SCREEN, OIL Crepine	1	1	1	1	MM401282
6-15	5651-661-1200-0	WASHER, SEAL/M12 Rondelle de joint	1	1	1	1	MK66112000
6-16	5660-043-0727-0	NUT/M12 Ecran	1	1	1	1	MF430727
6-17	5650-040-1271-0	CAP, OIL FILLER ASSY Bouchon jaugeur	1	1	1	1	MM401271
6-18	5667-211-4501-0	GASKET, CAP Joint de jauge	1	1	1	1	K7211451
6-19	5650-040-1290-0	PIPE, OIL ASSY Conduit d'huile	1	1	1	1	MM401290
6-20	5660-065-0101-0	BOLT, EYE/M8 Vis de banjo	1	1	1	1	MF650101
6-21	5660-066-0032-0	GASKET/8 Joint	2	2	2	2	MF660032
6-22	5663-001-4820-0	SWITCH, OIL PRESS D'huile	1	1	1	1	MD001482
6-22a	5663-021-5660-0	SWITCH, OIL PRESS D'huile	1	1	1	1	MD021566 (A) 1300 ENO. 43399- 1500 ENO. 35454-

Fig. 7 FUEL SUPPLY SYSTEM (KE 70-11GF TYPE)
 Systeme d'alimentation 75-11GF TYPE)



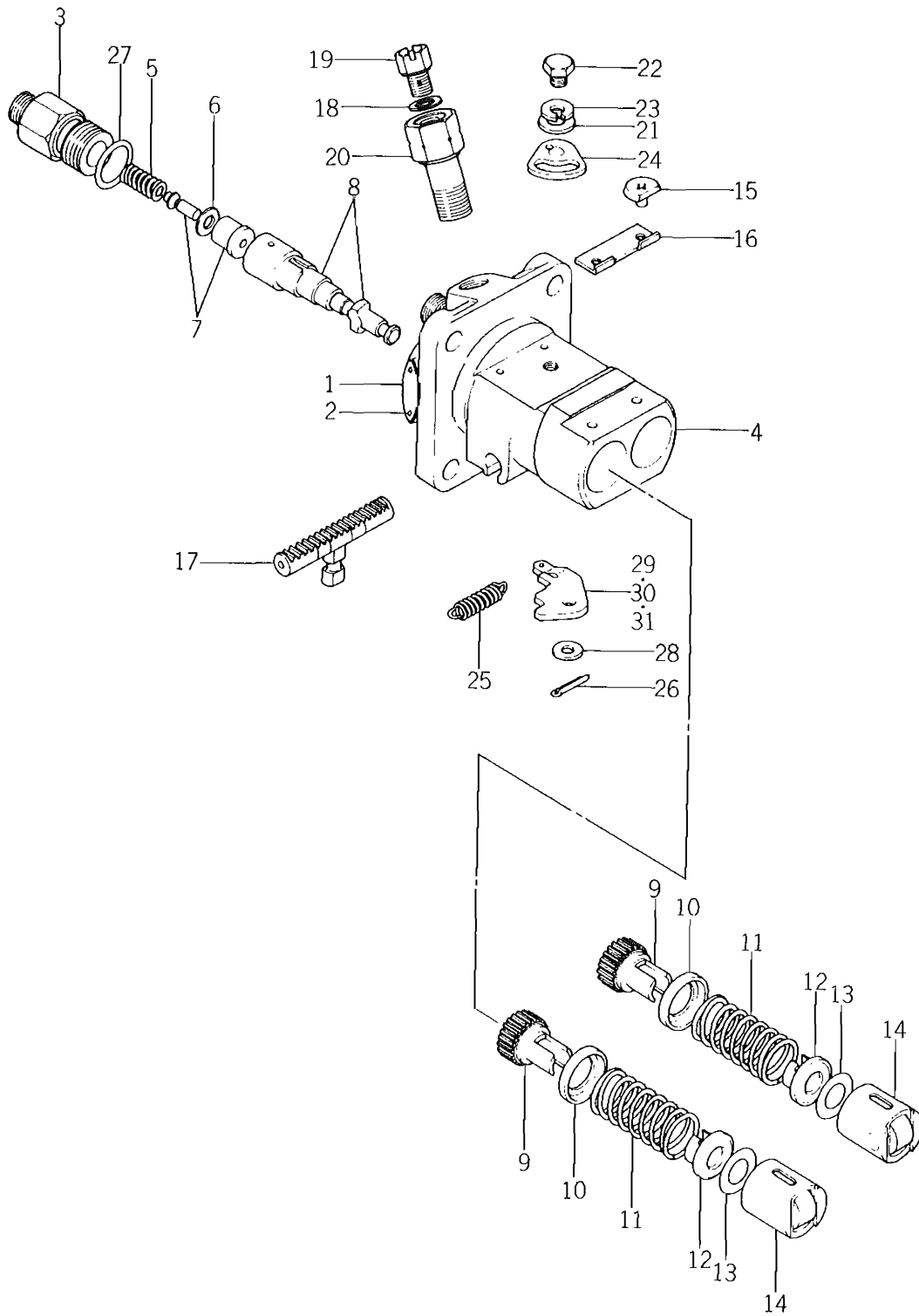
Ref No. Réf No.	Parts No. Pièces No.	Description Désignation	Model & Q'ty Modél & Quant				Remarks Remarques
			TX 1300	TX 1300 F	TX 1500	TX 1500 F	
7- 1	5650-040-0861-0	FILTER, FUEL ASSY Filtre g. o.	1	1	1	1	MM400861
7- 2	5650-040-0880-0	CLAMP Bride	1	1	1	1	MM400880
7- 3	5660-024-1223-0	BOLT/M6×12 Vis	1	1	1	1	MF241223
7- 4	5660-045-0004-0	WASHER/M6 Rondelle	1	1	1	1	MF450004
7- 5	5650-040-0902-0	PIPE, FUEL ASSY Conduit g. o. de pompe	1	1	1	1	MM400902
7- 5a	5650-040-0904-0	PIPE, FUEL ASSY/6×180 Conduit g. o. de pompe	1	1	1	1	MM400904 (A) 1300 ENO. 41690- 1500 ENO. 32333-
7- 6	5650-040-0931-0	PUMP, FUEL INJECTION Pompe d'injection	1	1			MM400931
7- 6a	5650-040-0933-0	PUMP, FUEL INJECTION Pompe d'injection	1	1			MM400933 (A) ENO. 42228-
7- 6-1	5650-040-0922-0	PUMP, FUEL INJECTION Pompe d'injection			1	1	MM400922
7- 6-1a	5650-040-0924-0	PUMP, FUEL INJECTION Pompe d'injection			1	1	MM400924 (A) ENO. 33080-
7- 7	5651-661-1200-0	WASHER/M12 Rondelle	2	2	2	2	MK66112000
7- 8	5650-040-2940-0	SHIM Cale	AR	AR	AR	AR	MM402940
7- 8-1	5650-040-2941-0	SHIM Cale	AR	AR	AR	AR	MM402941
7- 8-2	5650-040-2942-0	SHIM Cale	AR	AR	AR	AR	MM402942
7- 8a	5650-040-0941-0	SHIM /t=0.2 Cale	AR	AR	AR	AR	MM400941
	5650-040-0942-0	SHIM /t=0.3 Cale	AR	AR	AR	AR	MM400942
	5650-040-0943-0	SHIM /t=0.4 Cale	AR	AR	AR	AR	MM400943
	5650-040-0944-0	SHIM /t=0.5 Cale	AR	AR	AR	AR	MM400944
	5650-040-0945-0	SHIM /t=0.6 Cale	AR	AR	AR	AR	MM400945
	5650-040-0946-0	SHIM /t=0.7 Cale	AR	AR	AR	AR	MM400946
	5650-040-0947-0	SHIM /t=0.8 Cale	AR	AR	AR	AR	MM400947
	5650-040-0948-0	SHIM /t=0.9 Cale	AR	AR	AR	AR	MM400948
	5650-040-0949-0	SHIM/t= 1.0 Cale	AR	AR	AR	AR	MM400949
7- 9	5660-010-0055-0	BOLT/M8×20 Vis	4	4	4	4	MF100055
7-10	5650-040-0962-0	PIPE, INJ NO.1 ASSY Pipe d'injection	1	1	1	1	MM400962
7-10a	5650-040-0873-0	PIPE, INJ NO.1 ASSY Pipe d'injection	1	1	1	1	MM400873 (C) 1300 ENO. 1500 ENO. 43371-
7-11	5650-040-0967-0	PIPE, INJ NO.2 ASSY Pipe d'injection	1	1	1	1	MM400967
7-11a	5650-040-0875-0	PIPE, INJ NO.2 ASSY Pipe d'injection	1	1	1	1	MM400875 (C) 1300 ENO. 1500 ENO. 43371-
7-12	5664-140-3600-0	CLAMP Serre-pipe	1	1	1	1	K4140360
7-13	5664-140-3700-0	CRAMP Serre-pipe	1	1	1	1	K4140370
7-14	5660-024-1226-0	BOLT/M6×18 Vis	1	1	1	1	MF241226
X7-15	5650-040-2971-0 5650-040-1110-0	NOZZLE WHOLDER ASSY Injecteur	2	2	2	2	MM402971 (A) 82-02
7-16	5666-515-4300-0	GASKET/27 Joint	2	2	2	2	K6515430
7-17	5660-010-1264-0	BOLT/M8×45 Vis	4	4	4	4	MF101264
7-18	5650-040-0987-0	PIPE, RETURN ASSY Conduit de retour	1	1	1	1	MM400987
7-19	5661-060-2045-0	PIPE, FUEL/270 Conduit g. o. de filtre	1	1	1	1	MS602045
7-20	5661-066-0004-0	CLAMP, HOSE/13 ColHer	1	1	2	2	MS660004
7-21	5650-030-4916-0	COLLAR, UNION Collier	1	1	1	1	MM304916 1300 ENO. 41690- 1500 ENO. 32333-

Fig. 7A FUEL SUPPLY SYSTEM (KE 70-11GE TYPE)
 Systeme d'alimentation 75-11GE



Ref N ^o .	Parts No.	Description	Model & Q'ty				Remarks
			Modél & Quant				
Réf N ^o .	Pièces No.	Désignation	TX 1300	TX 1300 F	TX 1500	TX 1500 F	Remarques
7A- 1	5650-040-0862-0	FILTER, FUEL ASSY Filtre g. o.	1	1	1	1	MM400862
7A- 2	5650-040-0866-0	• BODY, FILTER SUB ASSY Corps de filtre	1	1	1	1	MM400866
7A- 3	5650-040-4873-0	• SPRING, VALVE Ress	1	1	1	1	MM404873
7A- 4	5650-040-4874-0	• O-RING, VALVE Joint torique	1	1	1	1	MM404874
7A- 5	5650-040-4871-0	• LEVER Levier	1	1	1	1	MM404871
7A- 6	5650-040-4875-0	• SCREW Vis	1	1	1	1	MM404875
7A- 7	5650-040-0889-0	• CUP, FILTER Cuve	1	1	1	1	MM400889
7A- 8	5650-040-4877-0	• NUT, RING Ecou de cuve	1	1	1	1	MM404877
7A- 9	5650-040-4878-0	• O-RING, FILTER CUP Joint torique	1	1	1	1	MM404878
7A-10	5650-040-4879-0	• ELEMENT Element	1	1	1	1	MM404879
7A-11	5650-040-4881-0	• O-RING Joint torique	1	1	1	1	MM404881
7A-12	5650-040-4884-0	• PACKING Joint	2	2	2	2	MM404884
7A-13	5650-040-4880-0	• SCREW Vis	1	1	1	1	MM404880
7A-14	5650-040-0881-0	SUPPORT Bride	1	1	1	1	MM400881
7A-15	5660-024-0080-0	BOLT, SEMS/M10×20 Vis	2	2	2	2	MF240080
7A-16	5650-040-0909-0	PIPE, FUEL ASSY/6×210 Conduitt g. o. de filtre	1	1	1	1	MM400909
7A-17	5650-030-4916-0	COLLAR, UNION Collier	1	1	1	1	MM304916
7A-18	5650-040-0916-0	PIPE, INJ NO.1 ASSY Pipe d'injection	1	1	1	1	MM400916
7A-19	5650-040-0918-0	PIPE, INJ NO.2 ASSY Pipe d'injection	1	1	1	1	MM400918

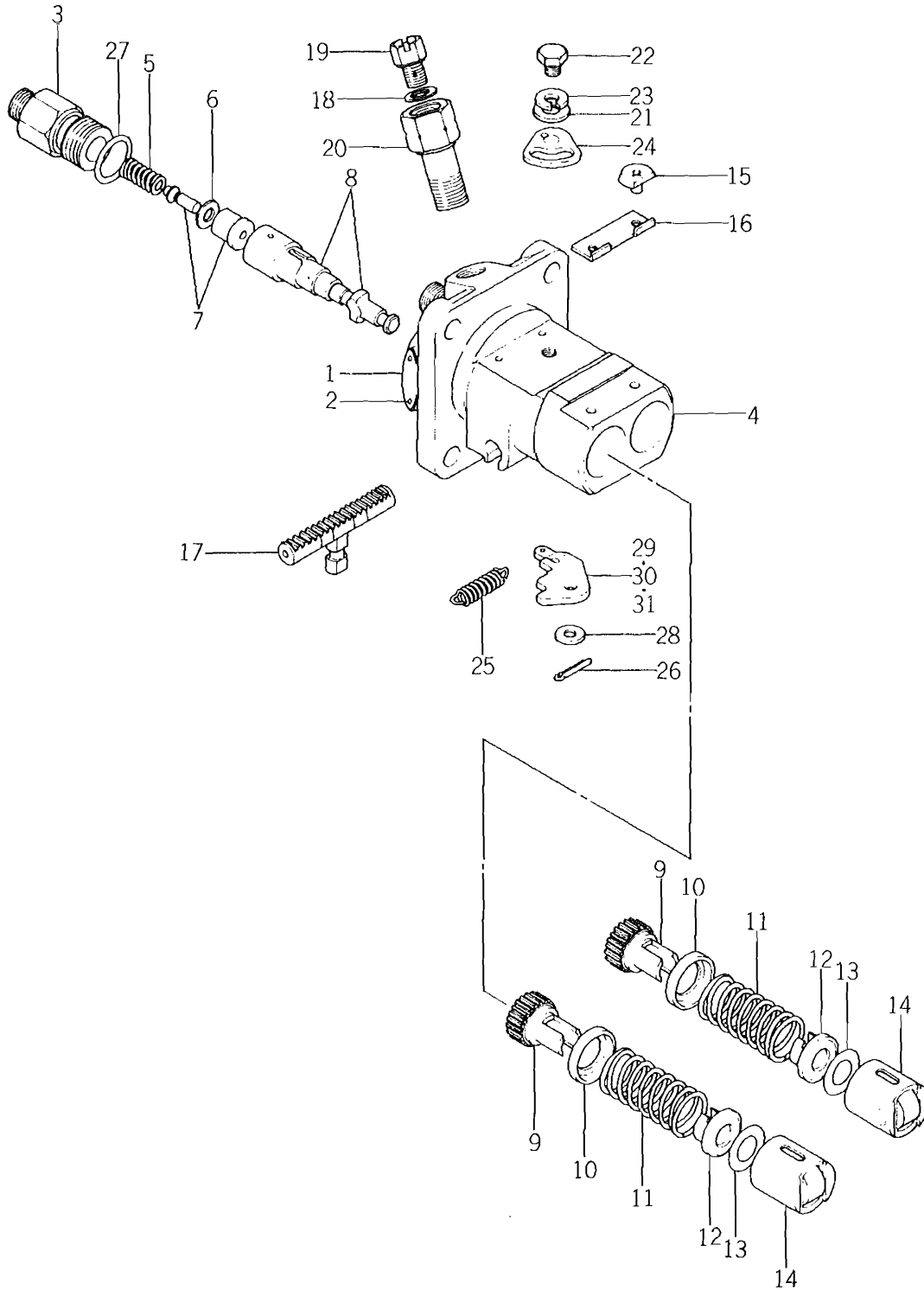
Fig. 8 FUEL INJECTION PUMP
 Pompe d'injection



Ref No. Réf No.	Parts No. Pièces No.	Description Désignation	Model & Q'ty Modél & Quant				Remarks Remarques
			TX 1300	TX 1300F	TX 1500	TX 1500F	
8- 0-1	5650-040-0931-0	PUMP, FUEL INJ ASSY Pompe d'injection	1	1			MM400931 Included 1-30
8- 0-1a	5650-040-0933-0	PUMP, FUEL INJ ASSY Pompe d'injection	1	1			MM400933 (A) ENO. 42228-
8- 0-1-1	5650-040-0922-0	PUMP, FUEL INJ ASSY Pompe d'injection			1	1	MM400922 Included 1-1-31-3
8- 0-1-1a	5650-040-0924-0	PUMP, FUEL INJ ASSY Pompe d'injection			1	1	MM400924 (A) ENO. 33080-
8- 1	5650-050-1051-0	PLATE, NAME Plaque de marque	1	1			MM501051
8- 1a	5650-050-1181-0	PLATE, NAME Plaque de marque	1	1			MM501181 ENO. 42228-
8- 1-1	5650-050-1052-0	PLATE, NAME Plaque de marque			1	1	MM501052
8- 1-1a	5650-050-1182-0	PLATE, NAME Plaque de marque			1	1	MM501182 ENO. 33080-
8- 2	5650-050-0429-0	RIVET Rivet	2	2	2	2	MM500429
8- 3	5650-050-0224-0	HOLDER, DEL VALVE Raccord d'injection	2	2	2	2	MM500224
8- 4	5650-050-0225-0	HOUSING, SUB ASSY Corps de pompe	1	1	1	1	MM500225
8- 4a	5650-050-1097-0	HOUSING, SUB ASSY Corps de pompe	1	1	1	1	MM501097 (A) 1300 ENO. 42228- 1500 ENO. 33080-
8- 5	5650-050-1047-0	SPRING, DEL VALVE Ressort de clapet	2	2	2	2	MM501047
8- 6	5650-050-0336-0	PACKING Joint	2	2	2	2	MM500336
8- 7	5650-050-1046-0	VALVE, DEL SUB ASSY Clapet de refoulement	2	2	2	2	MM501046
8- 8	5650-050-0228-0	ELEMENT, SUB ASSY Corps de clapet	2	2			MM500228
8- 8-1	5650-050-1185-0	ELEMENT, SUB ASSY Corps de clapet			2	1	MM501185
8- 9	5650-050-0229-0	SLEEVE, PLUNGER Pignon de debit	2	2	2	2	MM500229
8-10	5650-050-1098-0	SEAT, SPRING UP Coupelle	2	2	2	2	MM501098
8-11	5650-050-0360-0	SPRING, PUMP PLUNGER Ressort	2	2	2	2	MM500360
8-12	5650-050-0316-0	SEAT, SPRING LW Coupelle inferieure	2	2	2	2	MM500316
8-13	5650-050-0299-0	PLATE, SHIM Rondelle d'epaisseur	AR	AR	AR	AR	MM500299
8-13-1	5650-050-0309-0	PLATE, SHIM Rondelle d'epaisseur	AR	AR	AR	AR	MM500309
8-13-2	5650-050-0310-0	PLATE, SHIM Rondelle d'epaisseur	AR	AR	AR	AR	MM500310
8-13-3	5650-050-0311-0	PLATE, SHIM Rondelle d'epaisseur	AR	AR	AR	AR	MM500311
8-13-4	5650-050-0312-0	PLATE, SHIM Rondelle d'epaisseur	AR	AR	AR	AR	MM500312
8-13-5	5650-050-0314-0	PLATE, SHIM Rondelle d'epaisseur	AR	AR	AR	AR	MM500314
8-13-6	5650-050-0315-0	PLATE, SHIM Rondelle d'epaisseur	AR	AR	AR	AR	MM500315
8-14	5650-050-0230-0	TAPPET, SUB ASSY Poussoir	2	2	2	2	MM500230
8-15	5650-050-0231-0	PIN, TAPPET GUIDE Doigt de poussoir	2	2	2	2	MM500231
8-16	5650-050-0232-0	PLATE Plaque	1	1	1	1	MM500232
8-17	5650-050-0277-0	RACK, CONTROL Cremailere	1	1	1	1	MM500277
8-18	5650-050-0114-0	WASHER Rondelle	1	1	1	1	MM500114
8-19	5650-050-1152-0	SCREW, AIR BLEEDER Vis de desaccration	1	1	1	1	MM501152
8-20	5650-050-0403-0	SCREW, FOLLOW Vis d'alimentation	1	1	1	1	MM500403
8-21	5650-050-0250-0	WASHER, PLATE Rondelle	1	1	1	1	MM500250
8-22	5650-050-0234-0	BOLT Vis	1	1	1	1	MM500234
8-23	5650-050-1078-0	WASHER, SP Rondelle frein	1	1	1	1	MM501078

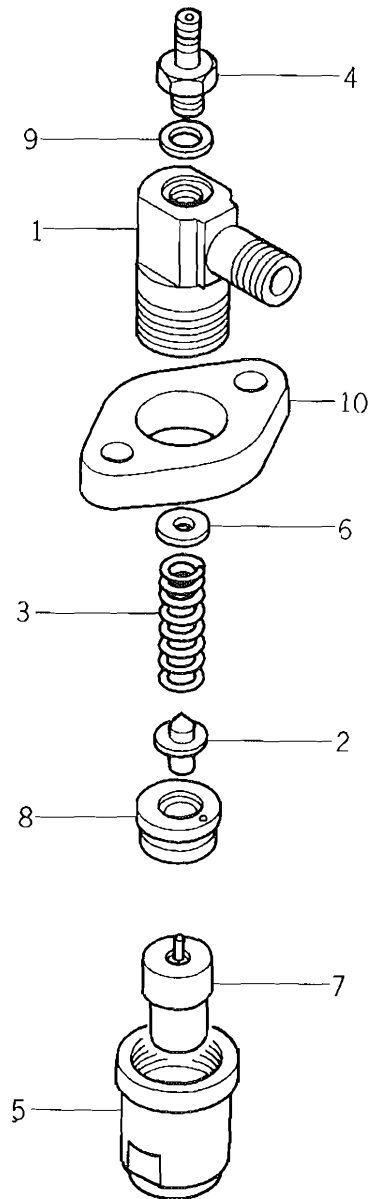
Fig. 8

FUEL INJECTION PUMP
Pompe d'injection



Ref No. Réf No.	Parts No. Pièces No.	Description Désignation	Model & Q'ty Modél & Quant				Remarks Remarques
			TX 1300	TX 1300 F	TX 1500	TX 1500 F	
8-24	5650-050-1077-0	PLATE ASSY Guide	1	1	1	1	MM501077
8-25	5650-050-1183-0	SPRING, RETURN ressort de rappel	1	1	1	1	MM501183
8-26	5650-050-0431-0	PIN, SPLIT Goupille fendue	1	1	1	1	MM500431
8-27	5650-050-0438-0	O-RING Joint torique	2	2	2	2	MM500438
8-28	5650-900-5010-0	WASHER, PLATE Rondelle	AR	AR	AR	AR	JP9114520
8-28-1	5650-900-5020-0	WASHER, PLATE Rondelle	AR	AR	AR	AR	JP9114530
8-28-2	5650-900-5030-0	WASHER, PLATE Rondelle	AR	AR	AR	AR	JP9114540
8-28-3	5650-900-5040-0	WASHER, PLATE Rondelle	AR	AR	AR	AR	JP9114550
8-29	5650-050-0237-0	STOPPER Butée	AR	AR			MM500237
8-29-1	5650-050-0243-0	STOPPER Butée	AR	AR			MM500243
8-29-2	5650-050-0247-0	STOPPER Butée	AR	AR			MM500247
8-29-3	5650-050-0249-0	STOPPER Butée	AR	AR			MM500249
8-29-4	5650-050-0244-0	STOPPER Butée	AR	AR			MM500244
8-29-5	5650-050-0246-0	STOPPER Butée	AR	AR			MM500246
8-30	5650-050-0244-0	STOPPER Butée			AR	AR	MM500244
8-30-1	5650-050-0246-0	STOPPER Butée			AR	AR	MM500246
8-30-2	5650-050-0288-0	STOPPER Butée			AR	AR	MM500288
8-30-3	5650-050-0293-0	STOPPER Butée			AR	AR	MM500293
8-31	5650-050-1111-0	STOPPER Butée	AR	AR			MM501111
8-31-1	5650-050-1112-0	STOPPER Butée	AR	AR			MM501112
8-31-2	5650-050-1113-0	STOPPER Butée	AR	AR			MM501113
8-31-3	5650-050-1114-0	STOPPER Butée	AR	AR			MM501114
8-31-4	5650-050-1115-0	STOPPER Butée	AR	AR	AR	AR	MM501115 (A) 1300 ENO. 42228-
8-31-5	5650-050-1116-0	STOPPER Butée	AR	AR	AR	AR	MM501116
8-31-6	5650-050-1117-0	STOPPER Butée	AR	AR	AR	AR	MM501117
8-31-7	5650-050-1118-0	STOPPER Butée	AR	AR	AR	AR	MM501118
8-31-8	5650-050-1119-0	STOPPER Butée	AR	AR	AR	AR	MM501119 (A) 1500 ENO. 33080-
8-31-9	5650-050-1131-0	STOPPER Butée			AR	AR	MM501131
8-31-10	5650-050-1132-0	STOPPER Butée			AR	AR	MM501132
8-31-11	5650-050-1133-0	STOPPER Butée			AR	AR	MM501133
8-31-12	5650-050-1134-0	STOPPER Butée			AR	AR	MM501134

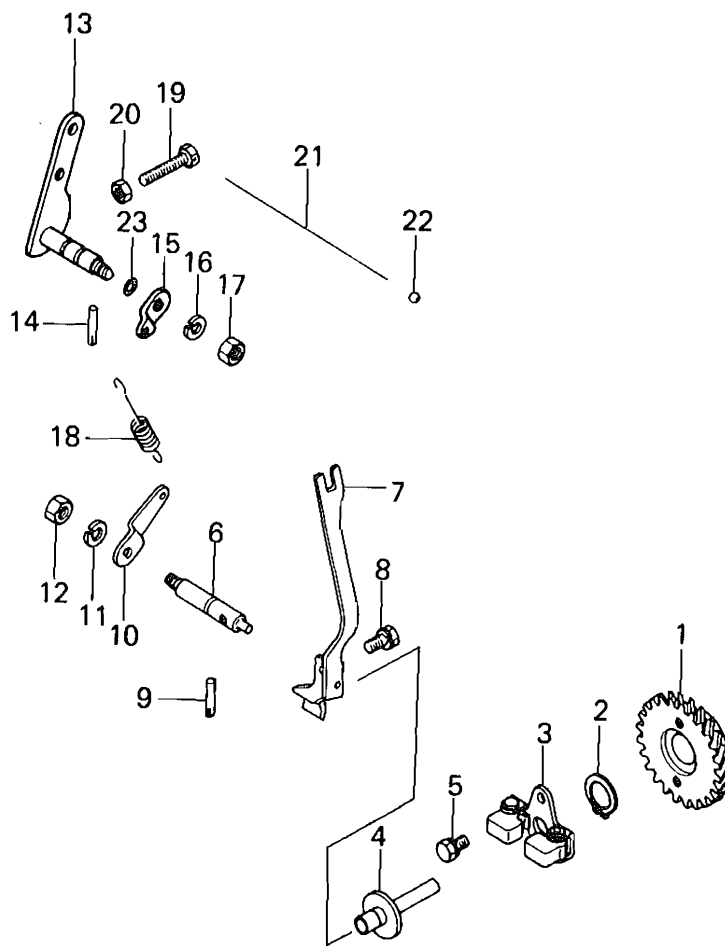
Fig. 9 NOZZLE AND NOZZLE HOLDER
Injecteur et corps



Ref No. Réf N°.	Parts No. Pièces N°.	Description Désignation	Model & Q'ty Modél & Quant				Remarks Remarques
			TX 1300	TX 1300 F	TX 1500	TX 1500 F	
X9- 0-1	5650-050-1110-0 5650-040-2971-0	NOZZLE W:HOLDER ASSY	2	2	2	2	MM402971 info no. 82-02 (2/6) Included 1-9 March 31, '82
Y9- 1	5650-050-1246-0 5650-050-0910-0	Injecteur complet	2	2	2	2	MM500910 info no. 82-02 (2/6) March 31, '82 see attached sheet
9- 2	5650-050-0135-0	BODY, NOZZLE HOLDER Porte injecteur	2	2	2	2	MM500135
9- 3	5650-050-0136-0	PIN, PRESS Pointeau	2	2	2	2	MM500136
X9- 4	5650-050-0909-0	SPRING, PRESS Ressort	2	2	2	2	MM500900 info no. 82-02 (2/6) March 31, '82
9- 5	5650-050-0908-0	NIPPLE, SUB ASSY Ajustage	2	2	2	2	MM500908
9- 6	5650-050-0785-0	NUT, NOZZLE RETAIN Ecrou	AR	AR	AR	AR	MM500785
9- 6-1	5650-050-0786-0	WASHER/0.1 Rondelle	AR	AR	AR	AR	MM500786
9- 6-2	5650-050-0787-0	WASHER/0.1 Rondelle	AR	AR	AR	AR	MM500787
9- 6-3	5650-050-0795-0	WASHER/0.1 Rondelle	AR	AR	AR	AR	MM500795
9- 6-4	5650-050-0796-0	WASHER/0.1 Rondelle	AR	AR	AR	AR	MM500796
9- 6-5	5650-050-0797-0	WASHER/0.1 Rondelle	AR	AR	AR	AR	MM500797
9- 6-6	5650-050-0798-0	WASHER/0.1 Rondelle	AR	AR	AR	AR	MM500798
9- 6-7	5650-050-0799-0	WASHER/0.1 Rondelle	AR	AR	AR	AR	MM500799
9- 7	5650-030-0152-0	NOZZLE ASSY Siege	2	2	2	2	MM300152
9- 8	5650-050-0137-0	PIECE, DISTANCE Entretoise	1	1	2	2	MM500137
X9- 9	5650-050-0441-0--	WASHER Rondelle	1	1	4	4	MM500441 info no. 82-02 (2/6) March 31, '82
9-10	5650-050-0907-0	FLANGE Frangé	2	2	2	2	MM500907

Fig. 10

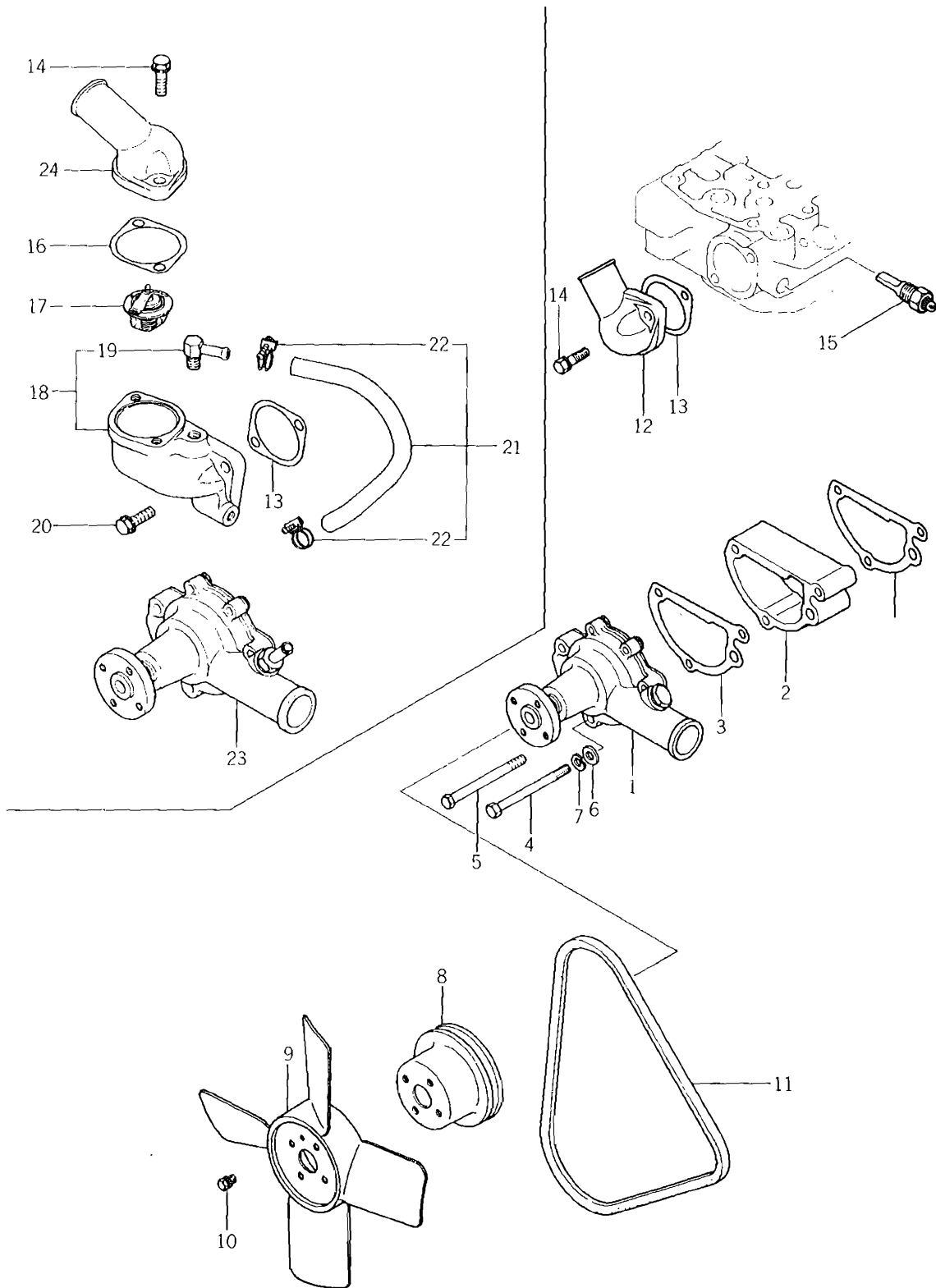
GOVERNOR
Regulateur



Ref N ^o .	Parts No.	Description	Model & Q'ty				Remarks
			Modél & Quant				
Réf N ^o .	Pièces No.	Désignation	TX 1300	TX 1300 F	TX 1500	TX 1500 F	Remarques
10- 1	5650-040-1006-0	GEAR, GOVERNOR Pignon	1	1	1	1	MM401006
10- 2	5660-052-2011-0	RING, SNAP/2 Collet d'axe	1	1	1	1	MF522011
10- 3	5650-040-0995-0	WEIGHT, GOVERNOR ASSY Masselette	1	1	1	1	MM400995
10- 4	5650-040-1072-0	SHAFT, SLIDING ASSY Coulisseau	1	1	1	1	MM401072
10- 5	5660-024-1223-0	BOLT/M8×12 7T Vis	2	2	2	2	MF241223
10- 5a	5660-024-1222-0	BOLT/M8×10 7T Vis	2	2	2	2	MF241222 (B)
10- 6	5650-040-1010-0	SHAFT, GOVERNOR Axe de regulation	1	1	1	1	MM401010
10- 7	5650-040-1020-0	LEVER, FORK Levier intermediaire	1	1	1	1	MM401020
10- 8	5660-024-1224-0	BOLT/M6×14 Vis	1	1	1	1	MF241224
10- 9	5668-712-6300-0	PIN, GROOVED Doigt	1	1	1	1	K8712630
10-10	5650-040-1027-0	LEVER, SPRING Attache de ressort	1	1	1	1	MM401027
10-11	5660-045-0405-0	WASHER, SP/M8 Rondelle frein	1	1	1	1	MF450405
10-12	5660-043-0725-0	NUT, JAM/M8 Erou	1	1	1	1	MF430725
10-13	5650-040-1032-0	LEVER, SPEED CONTROL Levier de regulation	1	1	1	1	MM401032
10-14	5668-712-6300-0	PIN, GROOVED Doigt	1	1	1	1	K8712630
10-15	5650-040-1028-0	LEVER, SPRING Attache	1	1	1	1	MM401028
10-16	5660-045-0405-0	WASHER, SP/M8 Rondelle frein	1	1	1	1	MF450405
10-17	5660-043-0725-0	NUT, JAM/M8 Erou	1	1	1	1	MF430725
10-18	5650-040-1063-0	SPRING, GOVERNOR Ressort	1	1	1	1	MM401063
10-19	5650-040-1080-0	BOLT Vis	1	1	1	1	MM401080
10-20	5660-043-0724-0	NUT, JAM/M6 Erou	1	1	1	1	MF430724
10-20a	5660-043-0004-0	NUT/M6 Erou	1	1	1	1	MF430004 (A)
10-21	5651-993-0014-0	WIRE, LOCK Fil d'arrêt	1	1	1	1	MK99300140
10-22	5651-992-0000-1	METAL, SEALING Plombage	1	1	1	1	MK99200001
10-23	5660-052-0002-0	O-RING Joint torique	1	1	1	1	MF520002

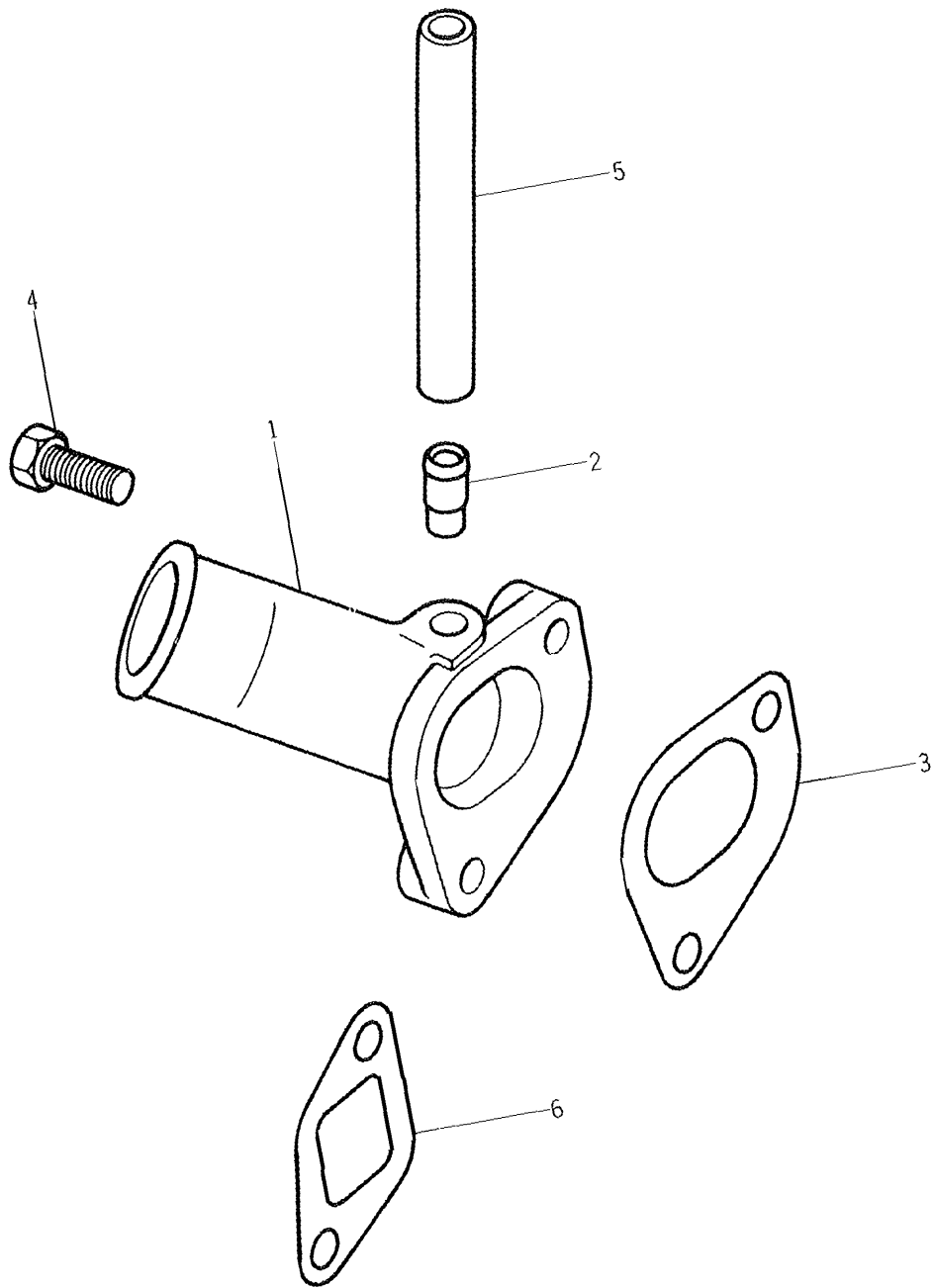
Fig. 11

WATER PUMP
Pompe a eau



Ref N ^o .	Parts No.	Description	Model & Q'ty				Remarks
			Modél & Quant				
Réf N ^o .	Pièces No.	Désignation	TX 1300	TX 1300 F	TX 1500	TX 1500 F	Remarques
11- 1	5650-040-1400-0	PUMP, WATER ASSY Pompe a eau	1	1	1	1	MM401400
11- 1a	5650-040-1401-0	PUMP, WATER ASSY Pompe a eau	1	1	1	1	MM401401 (B) 1300 ENO. 45860- 1500 ENO. 38531-
11- 2	5669-671-1620-0	FITTING, WATER PUMP Raccord	1	1	1	1	K9671162
11- 3	5669-671-1420-0	GASKET, WATER PUMP Joint	2	2	2	2	K9671142
11- 4	5668-313-4200-0	BOLT/M8×95 Vis	1	1	1	1	K8313420
11- 5	5660-010-0070-0	BOLT/M8×75 Vis	2	2	2	2	MF100070
11- 6	5660-045-0005-0	WASHER/M8 Rondelle	3	3	3	3	MF450005
11- 7	5660-045-0405-0	WASHER, SP/M8 Rondelle frein	3	3	3	3	MF450405
11- 8	5669-674-0510-0	PULLY, WATER PUMP Poulie	1	1	1	1	K9674051
11- 9	5669-674-4000-0	FAN, COOLING/290-4N.S Ventilateur	1	1	1	1	K9674400
11-10	5660-024-1223-0	BOLT/M6×12 Vis	4	4	4	4	MF241223
11-11	5663-011-3510-0	BELT, FAN/870HM Courroie	1	1	1	1	MD011351
11-11a	5663-030-7680-0	BELT, FAN/870HM Courroie	1	1	1	1	MD030768 (A) 1300 ENO. 49654- 1500 ENO. 41496-
11-12	5663-000-5500-0	FITTING, WATER OUTLET Raccord	1	1	1	1	MD000550
11-13	5650-040-5450-0	GASKET Joint	1	1	1	1	MM405450
11-13a	5663-000-5510-0	GASKET Joint	1	1	1	1	MD000551 (B) 1300 ENO. 46160- 1500 ENO. 38841-
11-14	5660-024-1257-0	BOLT, SEMS/M8×30 7T Vis	2	2	2	2	MF241257
11-14a	5660-024-1256-0	BOLT, SEMS/M8×28 7T Vis	2	2	2	2	MF241256 (A) 1300 ENO. 45104- 1500 ENO. 38249-
11-15	5650-040-1611-0	SWITCH, THERMO Pressostat	1	1	1	1	MM401611
11-15a	5650-040-9381-0	SWITCH, THERMO Pressostat	1	1	1	1	MM409381 (A) 1300 ENO. 43399- 1500 ENO. 35783-
11-16	5663-000-5510-0	GASKET Joint	1	1	1	1	MD000551
11-17	5663-001-3700-0	THERMOSTAT Thermostat	1	1	1	1	MD001370
11-18	5650-040-1416-0	FITTING, SUB ASSY Raccord	1	1	1	1	MM401416
11-19	5650-040-9311-0	• JOINT, WATER HOSE Raccord	1	1	1	1	MM409311
11-20	5660-024-1256-0	BOLT, SEMS/M8×28 7T Vis	2	2	2	2	MF241256 } for KE70-11GE KE75-11GE
11-21	5650-040-1482-0	HOSE, BY-PASS ASSY Durit	1	1	1	1	MM401482
11-22	5661-066-1006-0	• CLAMP, HOSE/15 Coller	2	2	2	2	MS661006
11-23	5650-040-1402-0	PUMP, WATER ASSY Pompe a eau	1	1	1	1	MM401402
11-24	5663-008-7710-0	FITTING, WATER OUTLET Raccord	1	1	1	1	MD008771

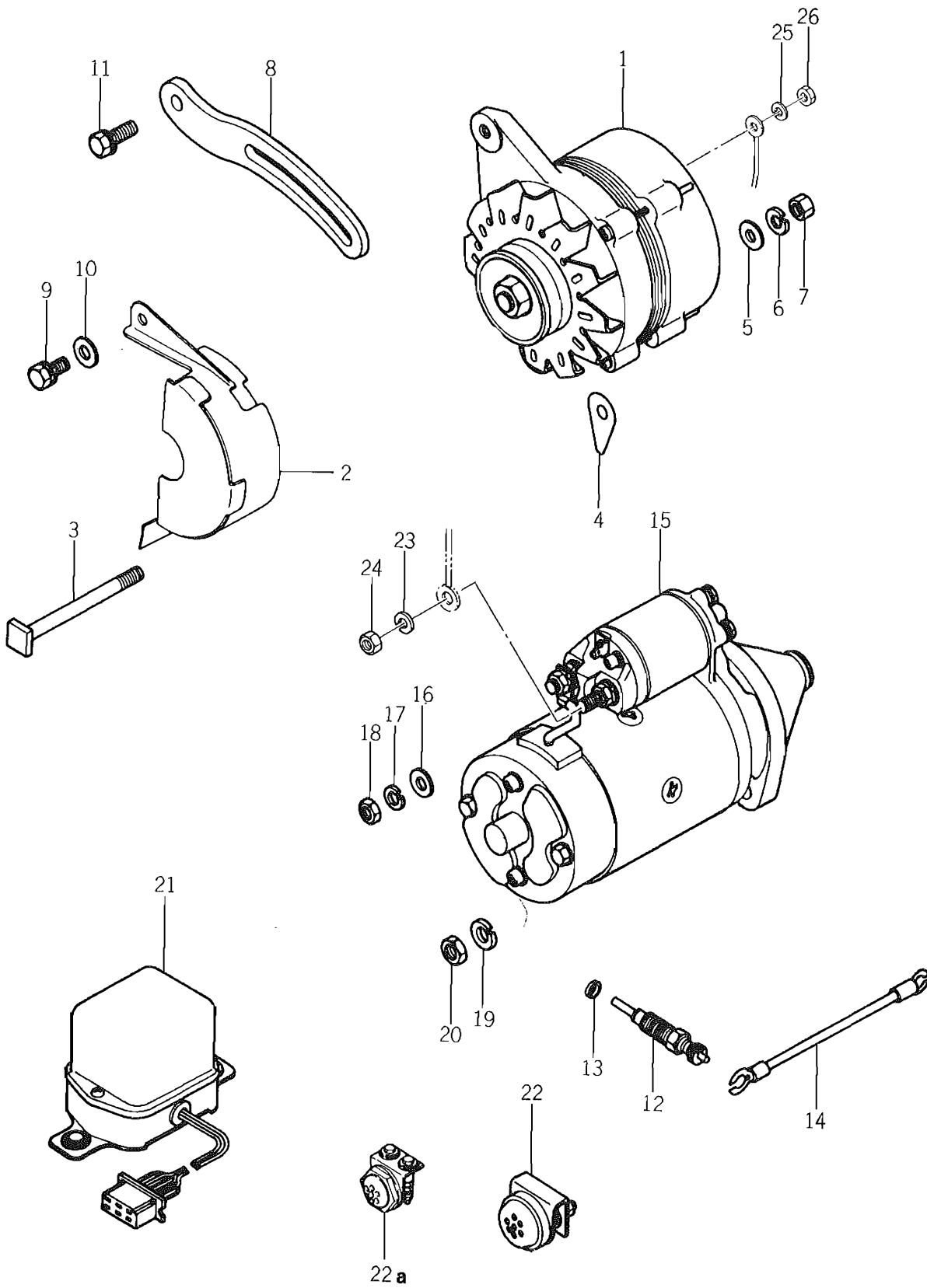
Fig. 12
INLET PIPE AND GASKET
Tuyau d'aspiration



Ref N ^o . Réf N ^o .	Parts No. Pièces No.	Description Désignation	Model & Q'ty Modél & Quant				Remarks Remarques
			TX 1300	TX 1300 F	TX 1500	TX 1500 F	
12- 1	5650-040-1310-0	PIPE, INLET Pipe d'admission	1	1	1	1	MM401310
12- 1a	5650-040-1312-0	PIPE, INLET Pipe d'admission	1	1	1	1	MM401312 (B) 1300 ENO. 47020- 1500 ENO. 39281-
12- 2	5669-644-1710-0	PIPE Boisseau	1	1	1	1	K9644171
12- 3	5668-344-2210-0	GASKET Joint	1	1	1	1	K8344221
12- 4	5660-010-0085-0	BOLT/M10×25 Vis	2	2	2	2	MF100085
12- 5	5650-040-0380-0	PIPE, AIR BREATHER Renflad	1	1	1	1	MM400380
12- 6	5650-040-0481-0	GASKET, EXH PIPE Joint	2	2	2	2	MM400481

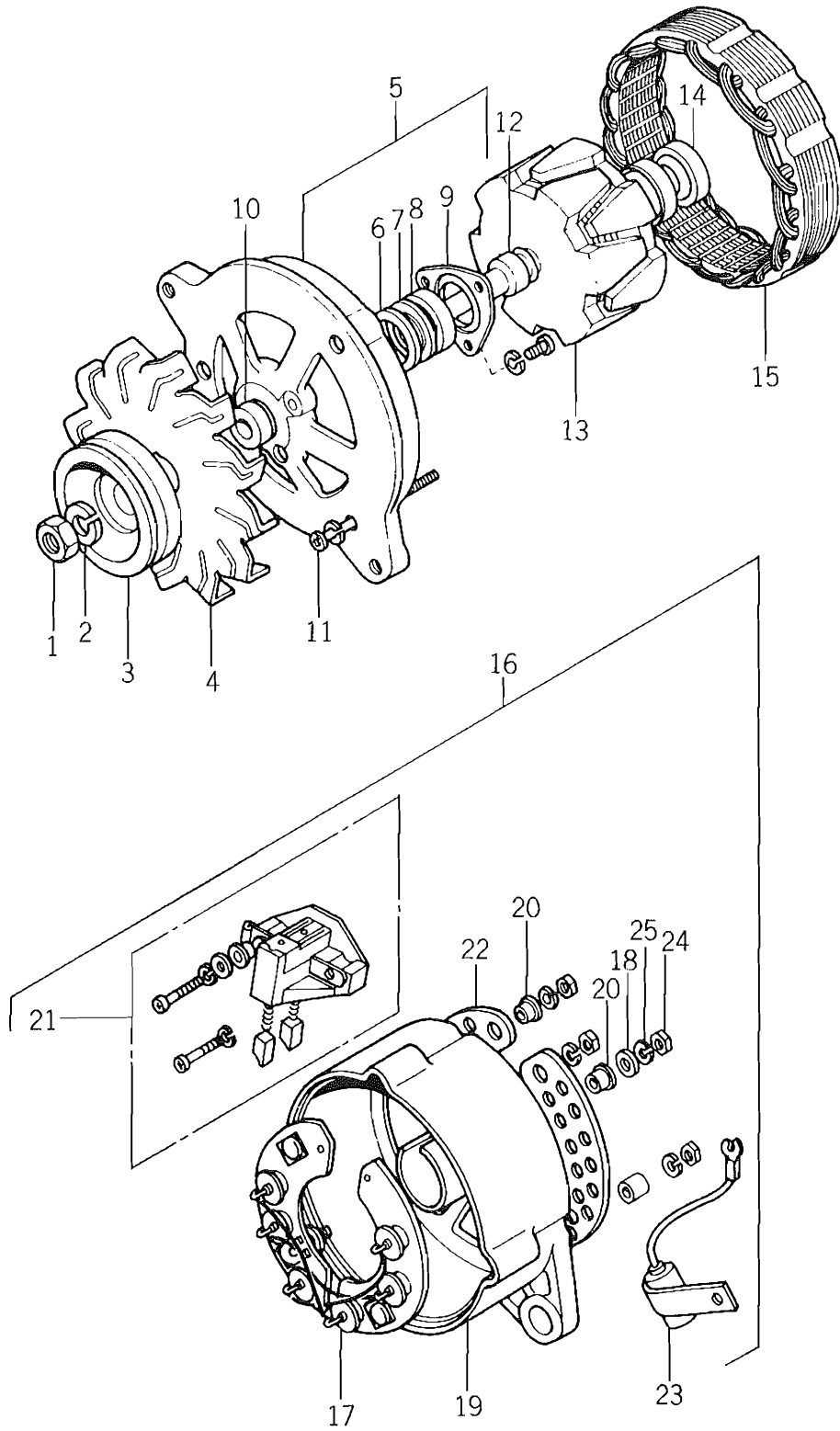
Fig. 13

ELECTRIC EQUIPMENT
Equipment électrique



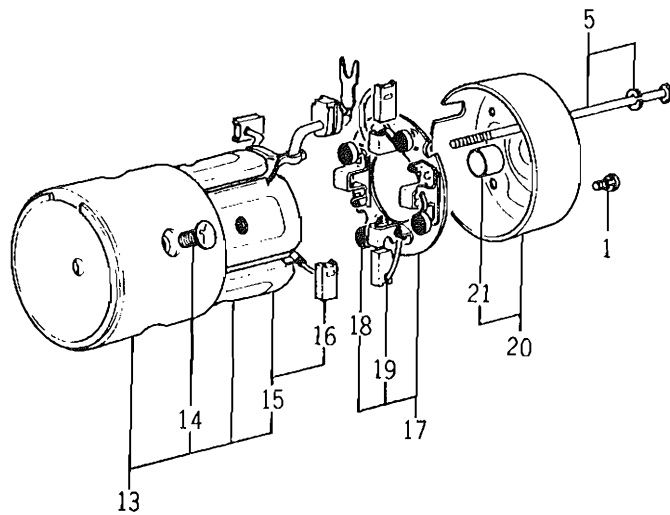
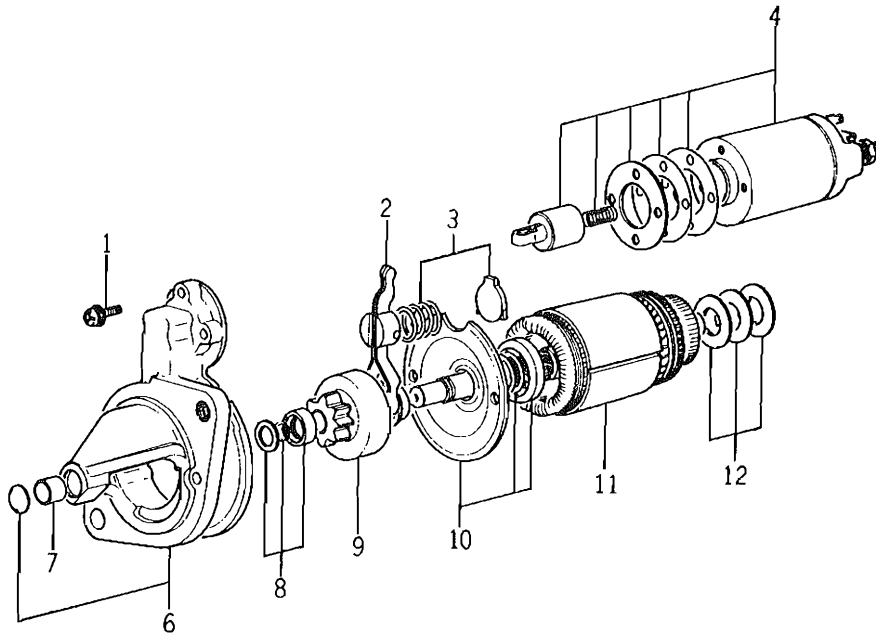
Ref No. Réf No.	Parts No. Pièces No.	Description Désignation	Model & Q'ty Modél & Quant				Remarks Remarques
			TX 1300	TX 1300 F	TX 1500	TX 1500 F	
13- 1	5663-011-5000-0	ALTERNATOR ASSY Alternateur assemble	1	1	1	1	MD011500 See Fig. 14
13- 2	5650-040-1664-0	COVER, ALTERNATOR Protecteur	1	1	1	1	MM401664
13- 3	5663-011-5110-0	BOLT Vis	1	1	1	1	MD011511
13- 4	5663-001-5170-0	SHIM Cale	AR	AR	AR	AR	MD001517
13- 5	5660-045-0005-0	WASHER/M8 Rondelle	1	1	1	1	MF450005
13- 6	5660-045-0405-0	WASHER, SP/M8 Rondelle frein	1	1	1	1	MF450405
13- 7	5660-043-0005-0	NUT/M8 Erou	1	1	1	1	MF430005
13- 8	5650-040-1670-0	BRACE, ALTERNATOR Etrier	1	1	1	1	MM401670
13- 9	5660-024-1253-0	BOLT/M8 x 20 Etrier	1	1	1	1	MF241253
13-10	5663-000-4250-0	WASHER/M8 Rondelle	1	1	1	1	MD000425
13-11	5660-024-1255-0	BOLT/M8 x 25 Vis	1	1	1	1	MF241255
13-12	5650-040-1621-0	PLUG, GLOW (10mm) bougie a incandescence	2	2	2	2	MM401621 Engine No. 2770 Chassis No. 16016
13-13	5653-130-1132-0	GASKET, GLOW PLUG Joint de bougie	2	2	2	2	3130113200
13-14	5669-670-2600-0	WIRE, GLOW PLUG Fil de bougie	1	1	1	1	K9670260
13-15	5650-040-1600-0	STARTER ASSY Demarreur	1	1	1	1	MM401600 See Fig. 15
13-16	5660-045-0005-0	WASHER/M8 Rondelle	1	1	1	1	MF450005
13-17	5660-045-0405-0	WASHER, SP/M8 Rondelle frein	1	1	1	1	MF450405
13-18	5660-043-0841-0	NUT/M8 Erou	1	1	1	1	MF430841
13-19	5660-045-0406-0	WASHER, SP/M10 Rondelle frein	2	2	2	2	MF450406
13-20	5660-043-0842-0	NUT/M10 Erou	2	2	2	2	MF430842
13-21	5669-480-9100-0	REGULATOR, VOLTAGE Regulateur de tension	1	1	1	1	K9480910
13-22	5668-370-3500-0	LAMP, GLOW Temoïn de bougies	1	1	1	1	K8370350
13-22a	5650-040-1630-0	LAMP, GLOW Temoïn de bougies	1	1	1	1	MM401630 ©
13-23	V401-160-0080-0	WASHER, SP/M8 Rondelle frein			1	1	
13-24	V302-260-0080-0	NUT/M8 Erou			1	1	
13-25	V401-160-0050-0	WASHER, SP/M5 Rondelle frein			1	1	
13-26	V300-260-0050-0	NUT/M5 Erou			1	1	
02a	5669-670-240-00	PLUG, GLOW (12mm)					Engine No. 1~2769 Chassis No. 1~16015

Fig. 14 ALTERNATOR
Alternateur

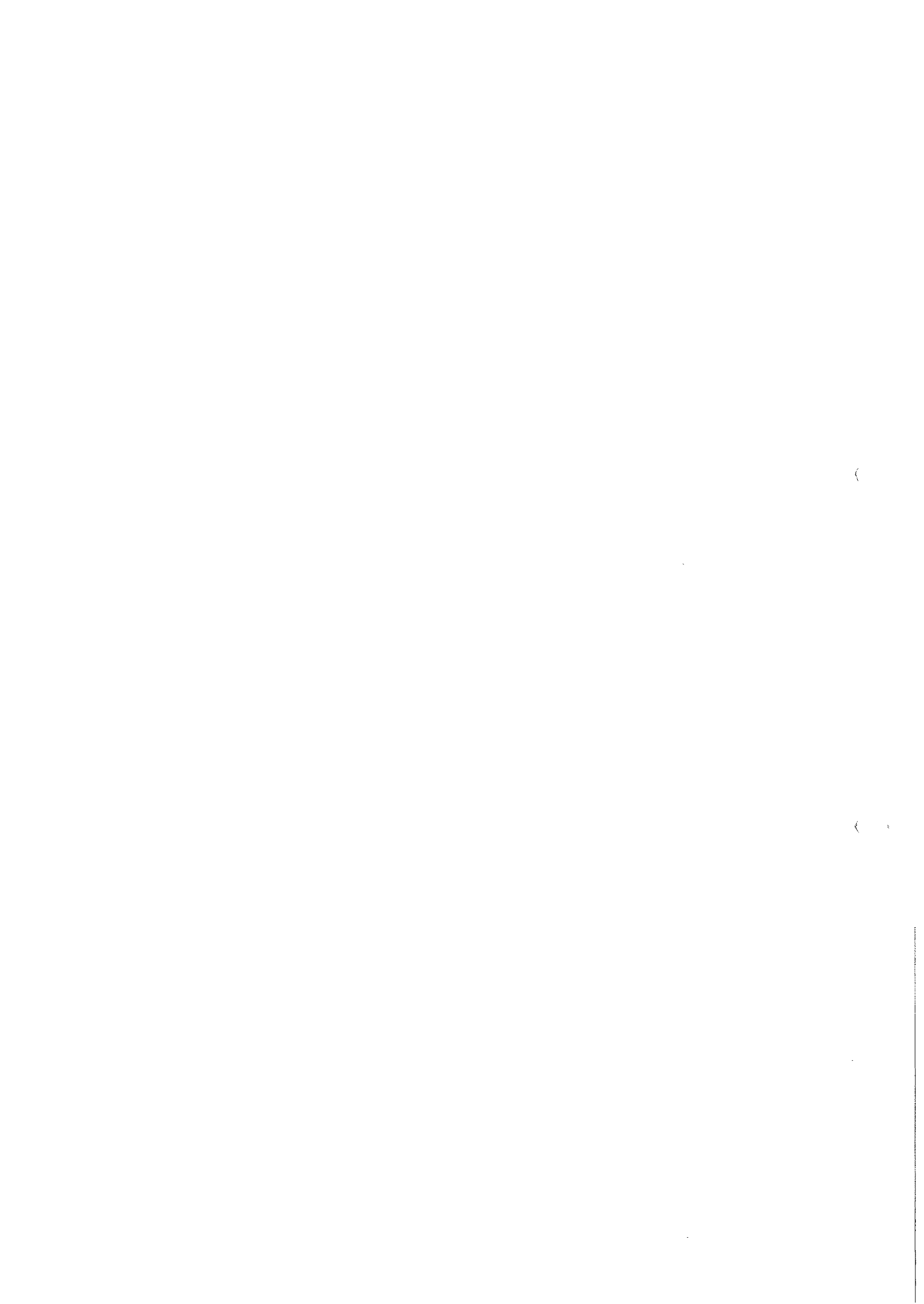


Ref No. Réf No.	Parts No. Pièces No.	Description Désignation	Model & Q'ty Modél & Quant				Remarks Remarques
			TX 1300	TX 1300 F	TX 1500	TX 1500 F	
14- 0-1	5663-011-5000-0	ALTERNATOR ASSY Alternateur (eclate)	1	1	1	1	MD011500 Included 1-23 Compris 1-23
14- 1	5663-604-0320-0	NUT Ecrou	1	1	1	1	MD604032
14- 2	5663-604-0230-0	WASHER, SP Rondelle frein	1	1	1	1	MD604023
14- 3	5663-604-2800-0	PULLEY Poulie	1	1	1	1	MD604280
14- 4	5663-604-2290-0	FAN Ventilateur	1	1	1	1	MD604229
14- 5	5663-604-0850-0	FRAME, DRIVE END ASSY Flasque	1	1	1	1	MD604085
14- 6	5663-604-0310-0	FELT, OIL Presse-étoupe	1	1	1	1	MD604031
14- 7	5663-604-0070-0	COVER, FELT Rondelle joint	1	1	1	1	MD604007
14- 8	5663-604-0340-0	BEARING, RB Roulement	1	1	1	1	MD604034
14- 9	5663-604-0080-0	PLATE, RETAINER Contre-plaque	1	1	1	1	MD604008
14-10	5663-604-8450-0	COLLAR, STEEL Bague	1	1	1	1	MD604845
14-11	5663-604-0280-0	BOLT, THROUGH Vis	3	3	3	3	MD604028
14-12	5663-604-0370-0	COLLAR, STEEL Entretoise	1	1	1	1	MD604037
14-13	5663-604-0830-0	ROTOR ASSY Rotor	1	1	1	1	MD604083
14-14	5663-604-0330-0	BEARING, RB Roulement	1	1	1	1	MD604033
14-15	5663-604-1980-0	STARTER ASSY Stator	1	1	1	1	MD604198
14-16	5663-604-1940-0	FRAME, R END ASSY Flaque ar	1	1	1	1	MD604194
14-17	5663-604-1890-0	FIN, RECTIFIER HOLDER Plaque a diodes	1	1	1	1	MD604189
14-18	5663-604-1150-0	WASHER, INSULATOR Rondelle isolante	1	1	1	1	MD604115
14-19	5663-604-1170-0	FRAME, R END Flasque posterieur	1	1	1	1	MD604117
14-20	5663-604-2260-0	BUSH, INSULATOR Douille isolante	2	2	2	2	MD604226
14-21	5663-604-1920-0	HOLDER, BRUSH ASSY Porte balais	1	1	1	1	MD604192
14-22	5663-604-1930-0	COVER, R END Grille	1	1	1	1	MD604193
14-23	5663-604-0800-0	CONDENSER Condensateur	1	1	1	1	MD604080
14-24	V30026-000500	NUT/M5 Ecrou	1	1	1	1	
14-25	V40116-000500	WASHER, SP/M5 Rondelle frein	1	1	1	1	

Fig. 15 STARTER
Demarreur

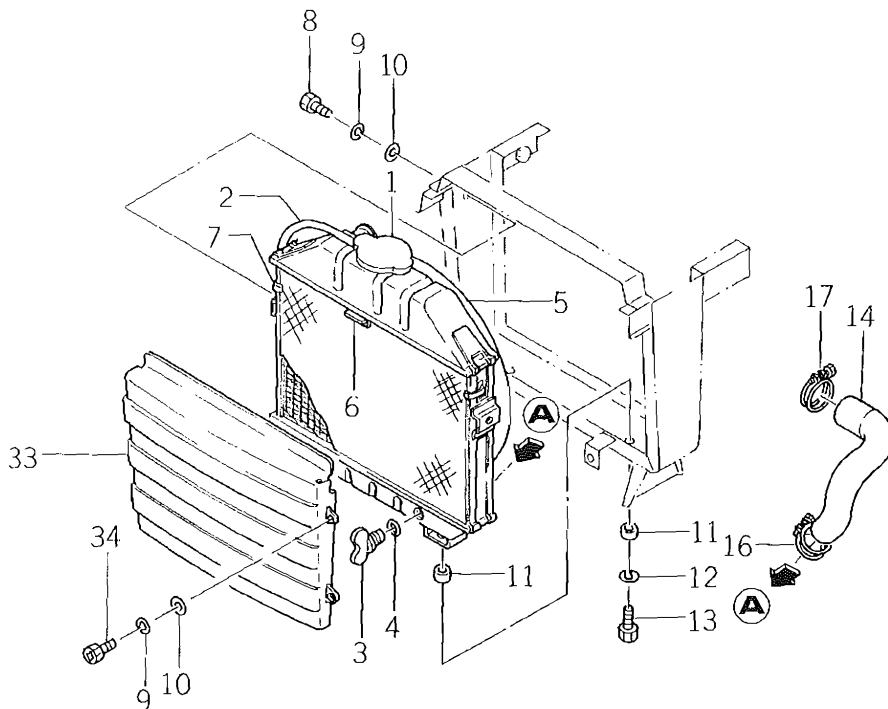
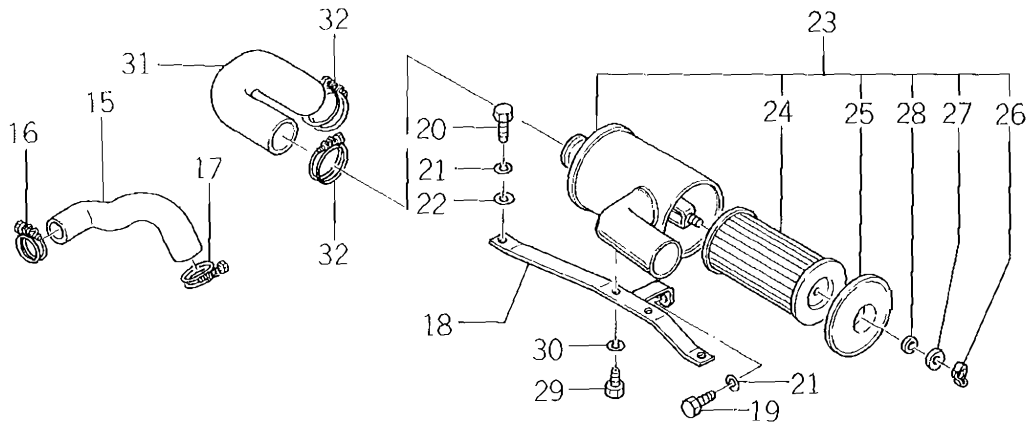
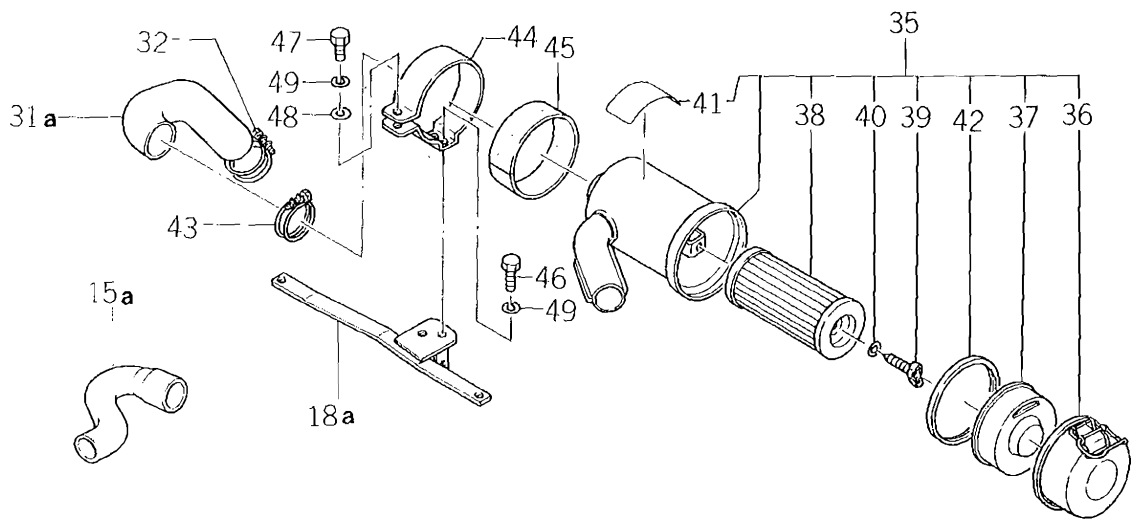


Ref No. Réf N°.	Parts No. Pièces N°.	Description Désignation	Model & Q'ty Modél & Quant				Remarks Remarques
			TX 1300	TX 1300 F	TX 1500	TX 1500 F	
15- 0-1	5650-040-1600-0	STARTER ASSY Demarreur (eclate)	1	1	1	1	MM401600 Included 1-21 Compris 1-21
15- 1	5663-602-9620-0	SCREW SET Vis	1	1	1	1	MD602962
15- 2	5663-602-4780-0	LEVER ASSY Levier de commande	1	1	1	1	MD602478
15- 3	5663-602-9630-0	SPRING SET Ressort	1	1	1	1	MD602963
15- 4	5663-602-0740-0	SWITCH ASSY Solenoid	1	1	1	1	MD602074
15- 5	5663-602-7380-0	BOLT/M6 x 165 SET Vis	1	1	1	1	MD602738
15- 6	5663-602-3040-0	BKT, F ASSY Cage du bendix	1	1	1	1	MD602304
15- 7	5663-602-6860-0	BEARING Roulement	1	1	1	1	MD602686
15- 8	5663-602-7200-0	STOPPER SET Butee	1	1	1	1	MD602720
15- 9	5663-602-6790-0	CLUTCH, OVER RUNNING Bendix	1	1	1	1	MD602679
15-10	5663-602-4830-0	BKT, CENTER ASSY Flasque	1	1	1	1	MD602483
15-11	5663-602-7550-0	ARMATURE Induit	1	1	1	1	MD602755
15-12	5663-602-7350-0	WASHER SET Jeux de rondelles	1	1	1	1	MD602735
15-13	5663-607-1670-0	YOKE ASSY Inducteur protege	1	1	1	1	MD607167
15-14	5663-602-3810-0	• SCREW/M10 x 15 Vis	4	4	4	4	MD602381
15-15	5663-607-0790-0	• COIL, FIELD Inducteur	1	1	1	1	MD607079
15-16	5663-602-4680-0	• BRUSH Balai	2	2	2	2	MD602468
15-17	5663-602-4690-0	HOLDER, BRUSH ASSY Collecteur	1	1	1	1	MD602469
15-18	5663-602-2100-0	• SPRING, BRUSH Ressort	4	4	4	4	MD602210
15-19	5663-602-4700-0	• BRUSH Balai	2	2	2	2	MD602470
15-20	5663-602-2120-0	BKT, R ASSY Cage du collecteur	1	1	1	1	MD602212
15-21	5663-602-2130-0	• BEARING Roulement	1	1	1	1	MD602213



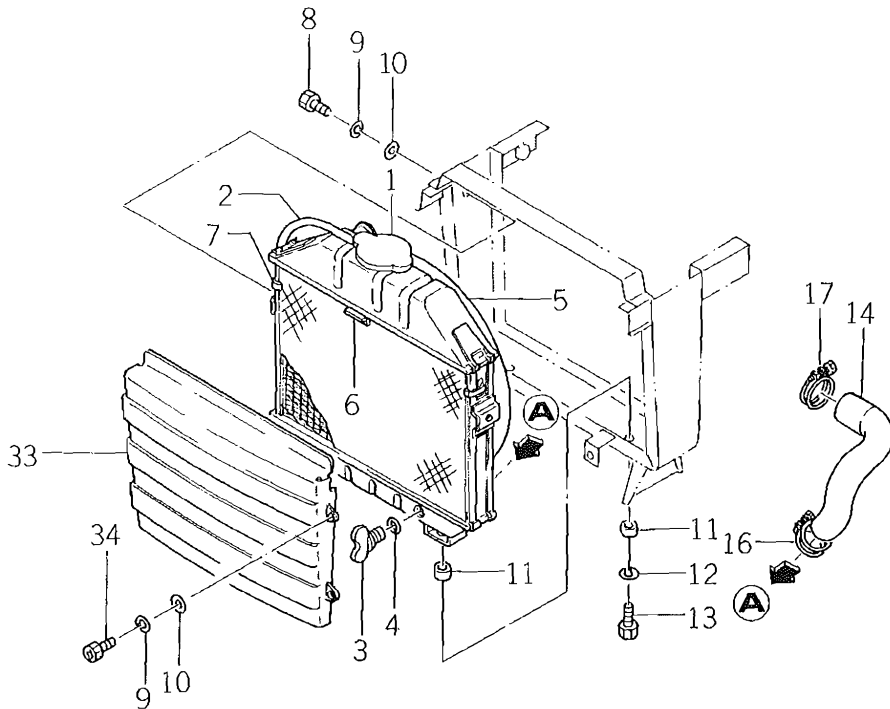
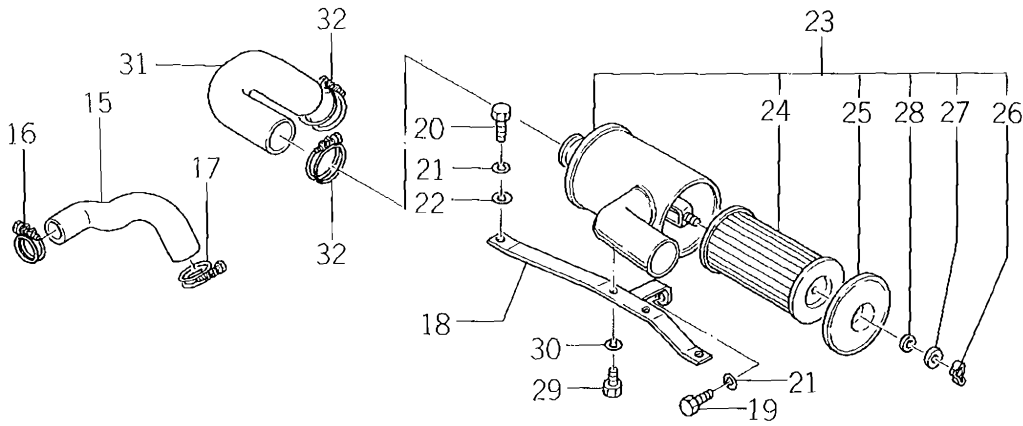
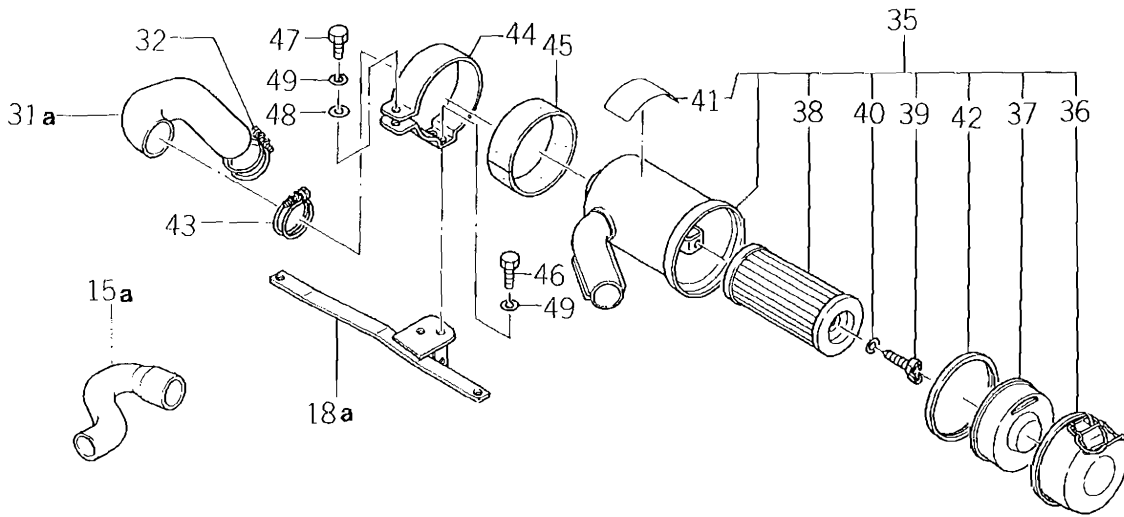
CHASSIS

Fig. 16 AIR CLEANER AND RADIATOR SYSTEM
 Filtre a air et radiateur



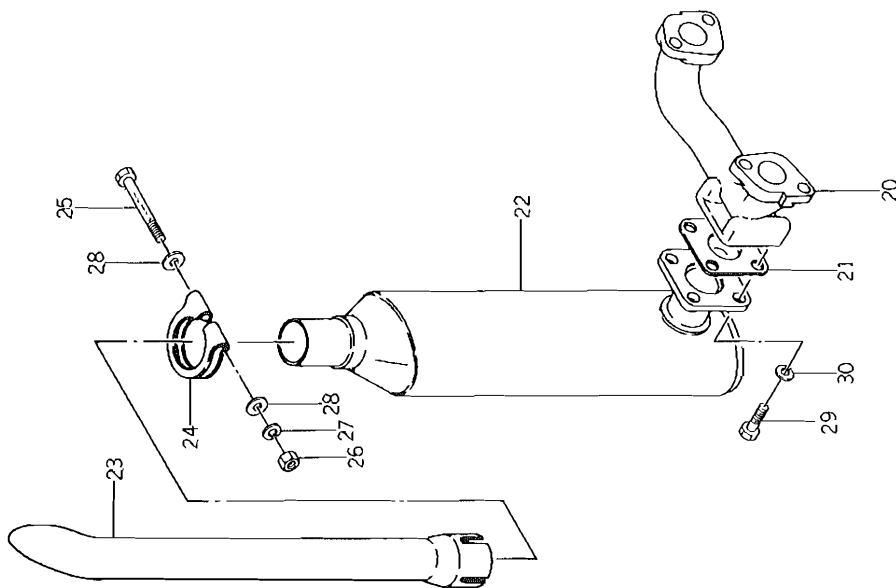
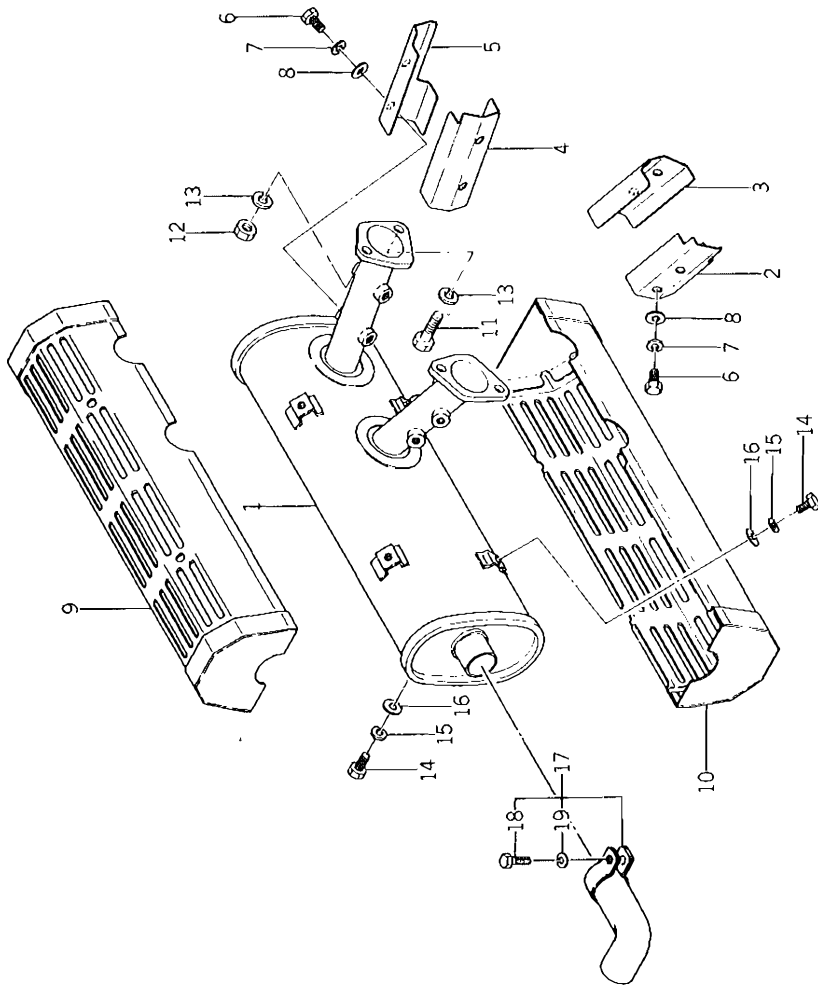
Ref No. Réf No.	Parts No. Pièces No.	Description Désignation	Model & Q'ty Modél & Quant				Remarks Remarques
			TX 1300	TX 1300F	TX 1500	TX 1500F	
16- 0-1	1427-101-2000-0	RADIATOR ASSY Radiateur complet	1	1	1	1	
16- 1	1427-101-2200-0	•CAP Bouchon de radiateur	1	1	1	1	
16- 2	1427-101-0010-0	•PIPE/VINYL Conduit d'expansion	1	1	1	1	
16- 3	1427-101-0020-0	•COCK, WATER Robinet de vidange	1	1	1	1	
16- 4	1427-101-0030-0	•PACKING Joint de robinet	1	1	1	1	
16- 5	1427-101-0040-0	•GUARD, FAN Garde-ventilateur	1	1	1	1	
16- 6	1427-101-0050-0	•PROTECTOR, F. Protecteur av	1	1	1	1	
16- 7	1427-101-0060-0	•SPRING, SET Agrafe	2	2	2	2	
16- 8	V200-260-6012-0	BOLT/M6×12 Vis	4	4	4	4	
16- 9	V401-160-0060-0	WASHER, SP/M6 Rondelle frein	8	8	8	8	
16-10	V413-160-0060-0	WASHER/M6 Rondelle	8	8	8	8	
16-11	1427-101-0070-0	CUSHION, RADIATOR Silentbloc	4	4	4	4	
16-12	V413-160-0080-0	WASHER/M8 Rondelle	2	2	2	2	
16-13	V201-260-8035-0	BOLT/M8×35 Vis	2	2	2	2	
16-14	1427-101-0080-0	HOSE, LW/RUBBER Durit inferieure	1	1	1	1	
16-15	1427-101-0090-0	HOSE, UP/RUBBER Durit superieure	1	1	1	1	*
16-15a	1427-101-0091-0	HOSE, UP/RUBBER Durit superieure	1	1	1	1	
16-16	1427-101-0110-0	CLAMP/35 Collier	2	2	2	2	
16-17	1427-101-0120-0	CLAMP/42 Collier	2	2	2	2	
16-18	1427-602-2300-0	STAY, AIR CLEANER Support filtre a air	1	1	1	1	*
16-18a	1427-602-2301-0	STAY, AIR CLEANER Support filtre a air	1	1	1	1	
16-19	V201-460-8035-0	BOLT/M8×35 9T Vis	1	1	1	1	*
16-20	V201-260-8020-0	BOLT/M8×20 Vis	2	2	2	2	} 5 used on Cyclone type
16-21	V401-160-0080-0	WASHER, SP/M8 Rondelle frein	3	3	3	3	
16-22	V413-160-0080-0	WASHER/M8 Rondelle	2	2	2	2	
16-23	1427-101-2300-0	CLEANER, AIR ASSY Filtre a air	1	1	1	1	
16-24	1427-101-0140-0	•ELEMENT Cartouche filtrante	1	1	1	1	
16-25	1427-101-0150-0	•COVER Cloche de filtre	1	1	1	1	*
16-26	1427-101-0160-0	•NUT, WING/M6 Ecrrou papillon	1	1	1	1	
16-27	1427-101-0170-0	•WASHER Rondelle	1	1	1	1	
16-28	1427-101-0180-0	•PACKING Rondelle joint	1	1	1	1	
16-29	V201-260-8016-0	BOLT/M8×16 Vis	2	2	2	2	
16-30	V401-160-0080-0	WASHER, SP/M8 Rondelle frein	2	2	2	2	
16-31	1427-101-0210-0	HOSE, RUBBER Durit de filtre	1	1	1	1	*
16-31a	1427-101-0211-0	HOSE, RUBBER Durit de filtre	1	1	1	1	
16-32	1427-101-0220-0	CLAMP/48 Collier	2	2	2	2	1 used on Cyclone type
16-33	1427-601-2200-0	GRILLE Calandre	1	1	1	1	① { 1300 NO. 103151- 1300F NO. 013254- 1500 NO. 103883- 1500F NO. 007349-
16-33a	1427-601-2201-0	GRILLE Calandre	1	1	1	1	

Fig. 16 AIR CLEANER AND RADIATOR SYSTEM
 Filtre a air et radiateur



Ref N ^o . Réf N ^o .	Parts No. Pièces No.	Description Désignation	Model & Q'ty Modél & Quant				Remarks Remarques
			TX 1300	TX 1300 F	TX 1500	TX 1500 F	
16-34	1427-601-0050-0	BOLT/M6×12 Vis	4	4	4	4	
16-35	1427-101-2800-0	CLEANER, AIR ASSY Filtre a air	1	1	1	1	
16-36	1427-101-2820-0	• PAN, DUST ASSY Sasserole	1	1	1	1	
16-37	1427-101-2830-0	• BAFFLE ASSY Tole directrice d'air	1	1	1	1	
16-38	1427-101-2840-0	• ELEMENT Cartouche filtrante	1	1	1	1	
16-39	1427-101-2850-0	• BOLT, WING Vis a oreilles	1	1	1	1	
16-40	1427-101-2860-0	• WASHER, SEAL Rondelle	1	1	1	1	
16-41	1427-101-2870-0	• MARK, HANDLING Etiquette	1	1	1	1	
16-42	1427-101-2880-0	• GASKET Joint	1	1	1	1	
16-43	1427-101-0280-0	CLAMP/53 Collier	1	1	1	1	
16-44	1427-602-2400-0	BAND, AIR CLEANER Bande	1	1	1	1	
16-45	1427-602-0040-0	BAND/RUBBER Bande	1	1	1	1	
16-46	V201-260-8016-0	BOLT/M8×16 Vis	2	2	2	2	
16-47	V201-260-8035-0	BOLT/M8×35 Vis	1	1	1	1	
16-48	V413-160-0080-0	WASHER/M8 Rondelle	1	1	1	1	
16-49	V401-160-0080-0	WASHER/M8 Rondelle	3	3	3	3	
<p>※ NOTE: All marks with asterisk (*) are used on old type only.</p>							

Fig. 17 MUFFLER SYSTEM
Silencieux

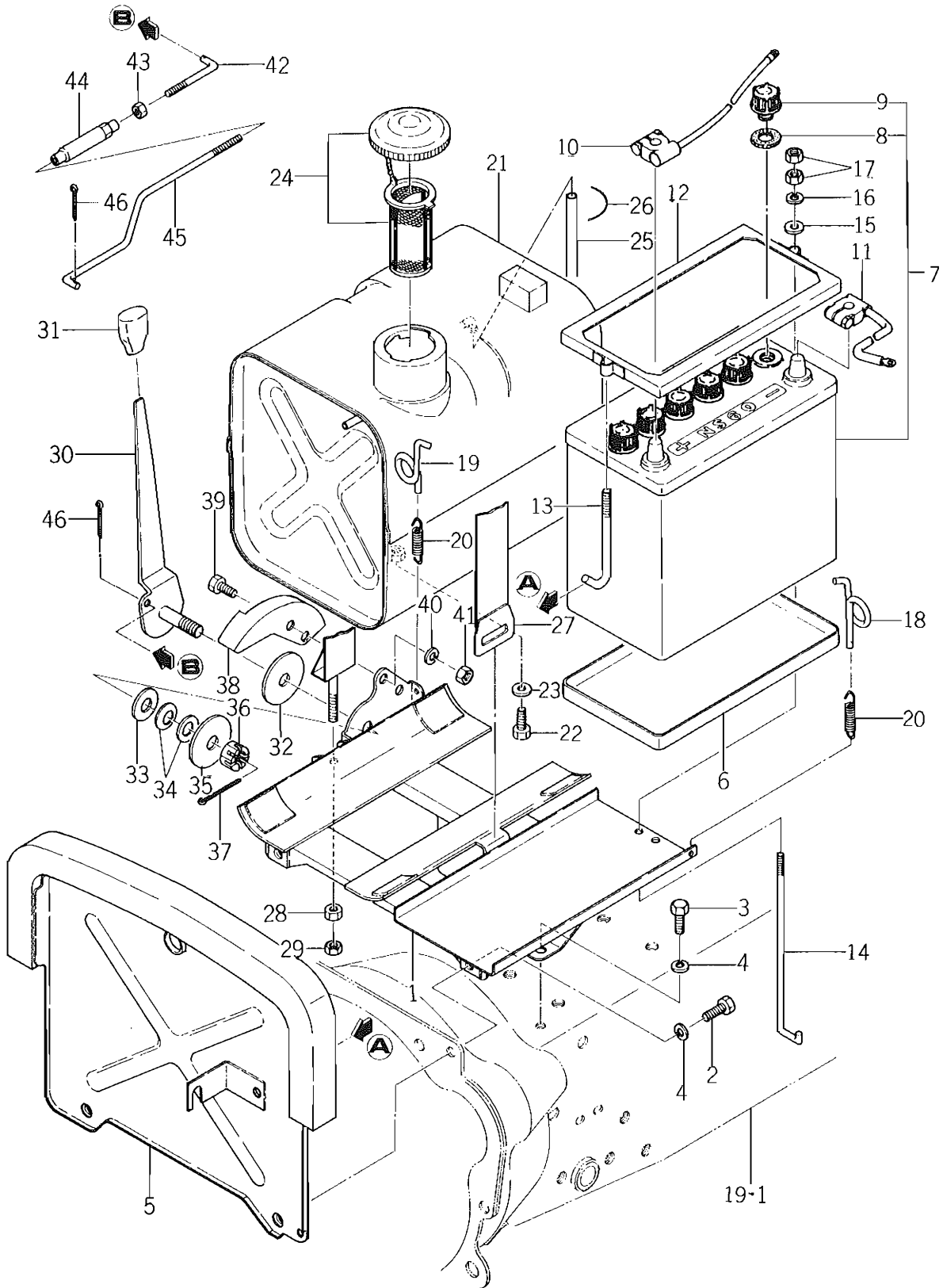


Ref No. Réf No.	Parts No. Pièces No.	Description Désignation	Model & Q'ty Modèle & Quant				Remarks Remarques
			TX 1300	TX 1300 F	TX 1500	TX 1500 F	
17- 0-1	1427-916-3000-0	MUFFLER, H ASSY Silencieux ensemble	1	1	1	1	for E50, 51, 52
17- 1	1427-101-2501-0	• MUFFLER Silencieux	1	1	1	1	
17- 2	1427-101-0230-0	• COVER, EXH A Garde manifold (a)	1	1	1	1	
17- 3	1427-101-0240-0	• COVER, EXH B Garde manifold (b)	1	1	1	1	
17- 4	1427-101-0250-0	• COVER, EXH C Garde manifold (c)	1	1	1	1	
17- 5	1427-101-0260-0	• COVER, EXH D Garde manifold (d)	1	1	1	1	
17- 6	V201-260-8010-0	• BOLT/M8×10 Vis	8	8	8	8	
17- 7	V401-160-0080-0	• WASHER, SP/M8 Rondelle frein	8	8	8	8	
17- 8	V413-160-0080-0	• WASHER/M8 Rondelle	8	8	8	8	
17- 9	1427-101-2601-0	• COVER, MUFFLER LH Coquille g de silencieux	1	1	1	1	
17-10	1427-101-2701-0	• COVER, MUFFLER RH Coquille d de silencieux	1	1	1	1	
17-11	V203-261-0025-0	BOLT/M10×25 P=1,25 Vis	2	2	2	2	for E50, 51, 52
17-12	V333-260-0100-0	NUT/M10 P=1,25 Erou	2	2	2	2	
17-13	V401-160-0100-0	WASHER, SP/M10 Rondelle frein	4	4	4	4	
17-14	V201-260-8014-0	BOLT/M8×14 Vis	6	6	6	6	
17-15	V401-160-0080-0	WASHER, SP/M8 Rondelle frein	6	6	6	6	
17-16	V413-160-0080-0	WASHER/M8 Rondelle	6	6	6	6	
17-17	1427-917-2000-0	PIPE, TAIL ASSY Tube d'échappement	1	1	1	1	
17-18	V201-260-6025-0	• BOLT/M6×25 Vis	1	1	1	1	
17-19	V401-160-0060-0	• WASHER, SP/M6 Rondelle frein	1	1	1	1	
17- 0-2	1427-916-0000-0	MUFFLER, VERT ASSY Silencieux	1	1	1	1	
17-20	1427-916-0010-0	• MANIFOLD, EXH Manifold	1	1	1	1	
17-21	1427-916-0020-0	• GASKET Joint	1	1	1	1	
17-22	1427-916-2000-0	• MUFFLER, VERT Silencieux	1	1	1	1	
17-23	1427-916-0030-0	• PIPE, TAIL Tube d'échappement	1	1	1	1	
17-24	1427-916-0040-0	• CLAMP Attache	1	1	1	1	
17-25	V201-260-8080-0	• BOLT/M8×80 Vis	1	1	1	1	
17-26	V300-260-0080-0	• NUT/M8 Erou	1	1	1	1	
17-27	V401-160-0080-0	• WASHER, SP/M8 Rondelle frein	1	1	1	1	
17-28	V413-160-0080-0	• WASHER/M8 Rondelle	2	2	2	2	
17-29	V201-260-8025-0	• BOLT/M8×25 Vis	4	4	4	4	
17-30	V401-160-0080-0	• WASHER, SP/M8 Rondelle frein	4	4	4	4	

Fig. 18

FUEL TANK, BATTERY AND THROTTLE
LEVER SYSTEM

Reservoir et batterie

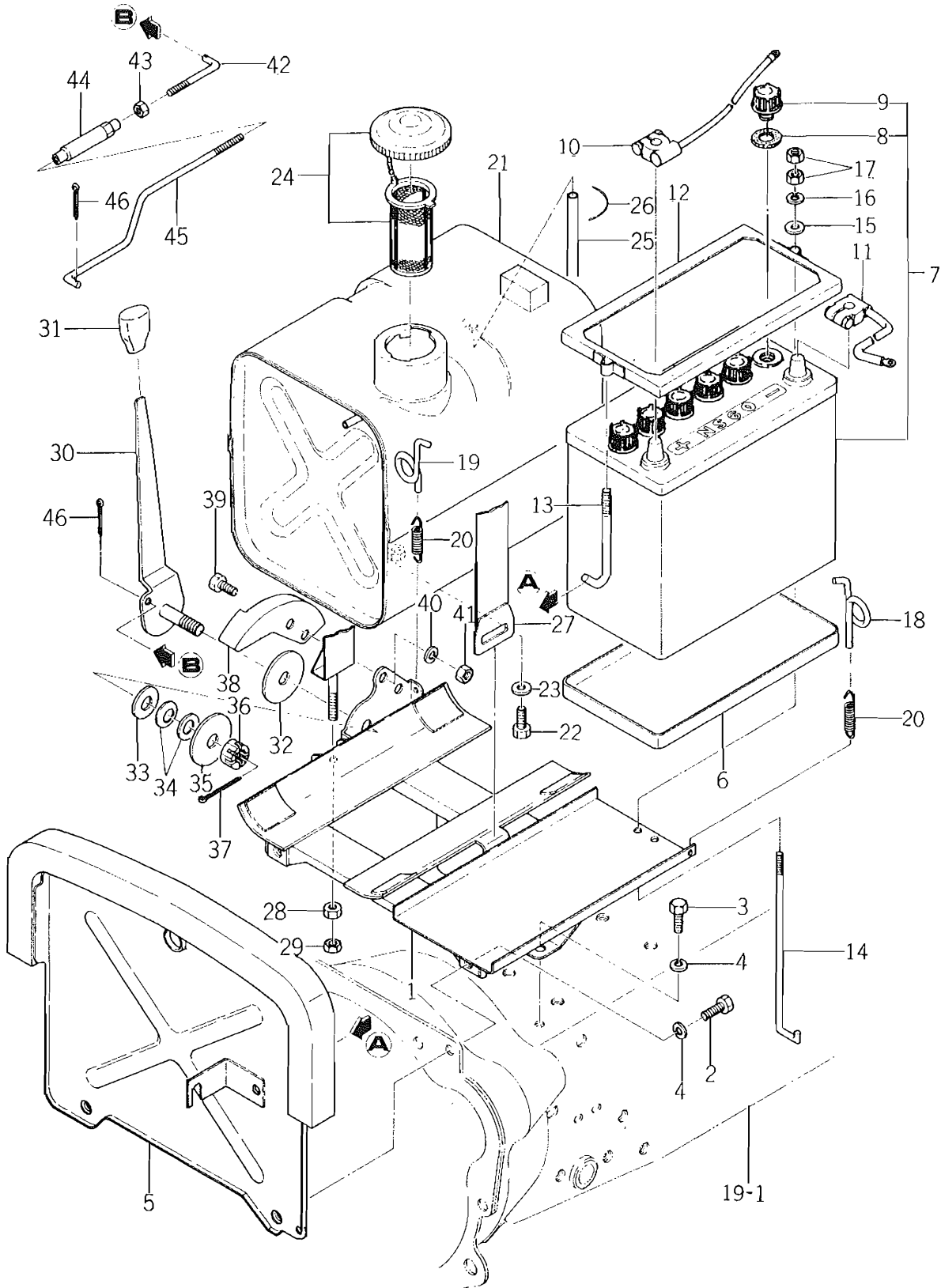


Ref No. Réf No.	Parts No. Pièces No.	Description Désignation	Model & Q'ty Modél & Quant				Remarks Remarques
			TX 1300	TX 1300F	TX 1500	TX 1500F	
18- 1	1427-111-2201-0	BASE, TANK Assiette de reservoir	1	1	1	1	
X18- 2	U201-261-0030-0 V201-261-0025-0	BOLT/M10×25-30 Vis	2	2	2	2	(A) info no. 82-02(6/6) March 31, '82
18- 3	V201-261-0020-0	BOLT/M10×20 Vis	2	2	2	2	
18- 4	V401-160-0100-0	WASHER, SP/M10 Rondelle frein	4	4	4	4	
18- 5	1427-111-2400-0	PLATE, STOP Cloison	1	1	1	1	
18- 6	1427-621-0050-0	CASE, BATTERY Cuvette de batterie	1	1	1	1	
18- 7	1427-621-2000-0	BATTERY NS60 ASSY Batterie	1	1	1	1	
X18- 8	1421-621-0020-0	• PACKING Joint	6	6	6	6	(D) info n° 81-40(1/1) Dec 26, '81.
18- 9	1427-621-0020-0	• CAP, BATTERY Bouchon de batterie	6	6	6	6	
18-10	1427-621-0060-0	CABLE, BATTERY Cable de batterie	1	1	1	1	
18-11	1427-621-0070-0	CABLE, EARTH Cable de masse	1	1	1	1	
18-12	1427-621-2100-0	PLATE, SET BATTERY Etrier de batterie	1	1	1	1	
18-13	1427-621-0040-0	BOLT, SET BATTERY (B) Tirant av	1	1	1	1	
18-14	1427-621-0030-0	BOLT, SET BATTERY (A) Tirant ar	1	1	1	1	
18-15	V413-160-0060-0	WASHER/M6 Rondelle	2	2	2	2	
18-16	V401-160-0060-0	WASHER, SP/M6 Rondelle frein	2	2	2	2	
18-17	V300-260-0060-0	NUT/M6 Erou	4	4	4	4	
18-18	1427-602-0010-0	HOOK, LH Crochet g	1	1	1	1	
18-19	1427-602-0020-0	HOOK, RH Crochet d	1	1	1	1	
18-20	1427-602-0030-0	SPRING, TENSION/55 Ressort	2	2	2	2	
18-21	1427-111-2000-0	TANK, FUEL Reservoir	1	1	1	1	
18-22	V200-260-8012-0	BOLT/MM8×12 Vis	1	1	1	1	
18-23	1407-111-0010-0	WASHER/8×12×2 Rondelle	1	1	1	1	
18-24	1421-111-2100-0	CAP, ASSY Bouchon	1	1	1	1	
18-25	1427-111-0010-0	PIPE/VINYL Conduit	1	1	1	1	
18-26		WIRE Fil	2	2	2	2	
18-27	1427-111-2100-0	BAND, TANK Sangle	1	1	1	1	
18-28	V300-260-0080-0	NUT/M8 Erou	1	1	1	1	
18-29	V302-260-0080-0	NUT/M8 Contre ecrou	1	1	1	1	
18-30	1427-117-2000-0	LEVER, THROTTLE Lever d'accelerateur	1	1	1	1	} for E10, 11, 12
18-31	1415-505-0150-0	GLIP Poignee	1	1	1	1	
18-32	1414-117-0050-0	LINING/13×50×3 Garniture de friction	1	1	1	1	
18-33	1407-117-0070-0	WASHER/13×32×1 Rondelle	1	1	1	1	
18-34	1415-505-0110-0	SPRING, CONE Rondelle Belleville	2	2	2	2	
18-35	1427-117-0010-0	WASHER/13×50×3 Rondelle speciale	1	1	1	1	
18-36	V321-160-0120-0	NUT, SLOTTED/M12 Erou a creneaux	1	1	1	1	
18-37	V500-153-0025-0	PIN, SPLIT/3×25 Goupille fendue	1	1	1	1	for E10, 11, 12
18-38	1427-117-0030-0	GUIDE, LEVER Secteur de guidage	1	1	1	1	

Fig. 18

FUEL TANK, BATTERY AND THROTTLE
LEVER SYSTEM

Reservoir et batterie



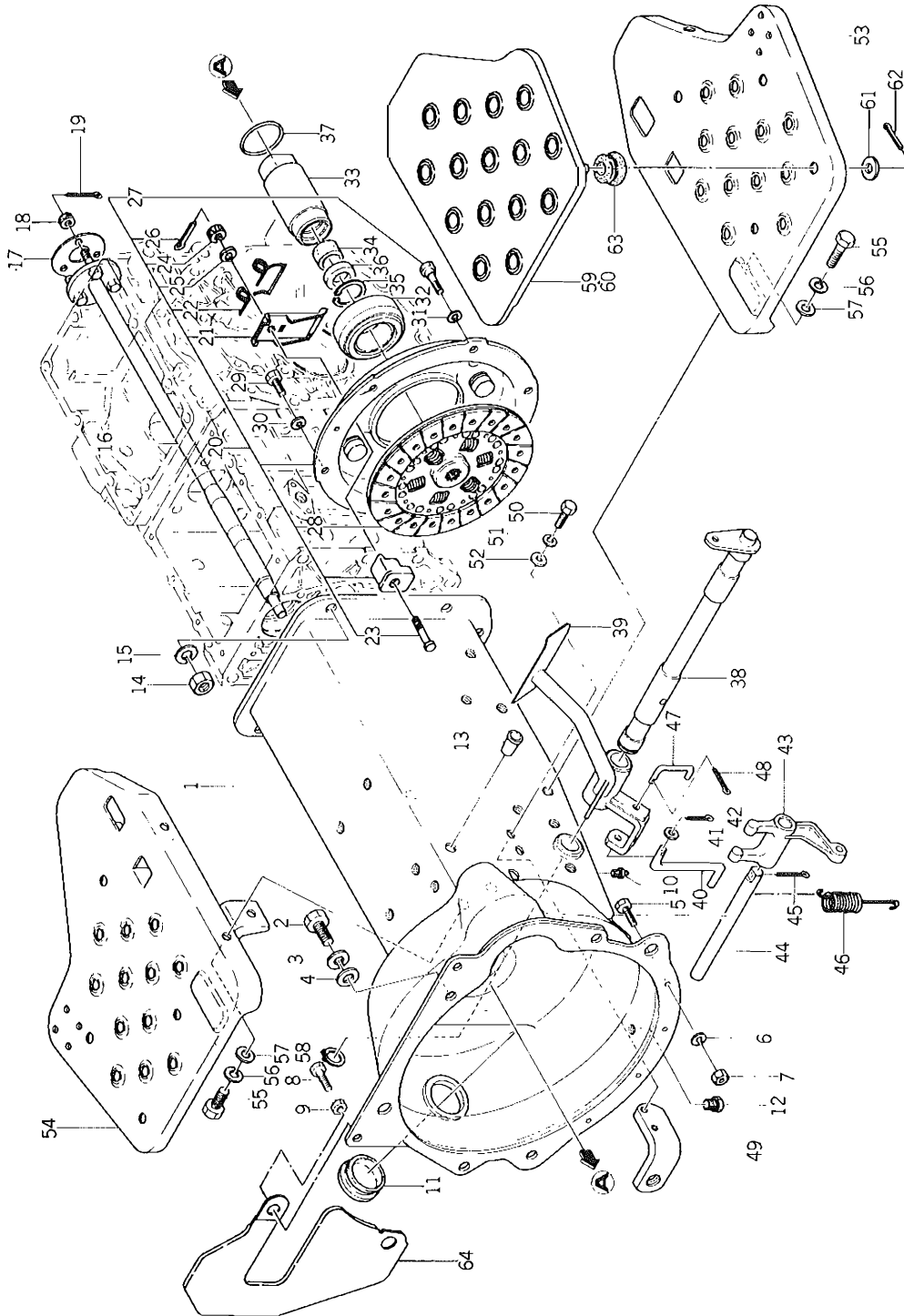
Ref No. Réf No.	Parts No. Pièces No.	Description Désignation	Model & Q'ty Modél & Quant				Remarks Remarques
			TX 1300	TX 1300 F	TX 1500	TX 1500 F	
18-39	V201-260-8016-0	BOLT/M8×16 Vis	2	2	2	2	
18-40	V401-160-0080-0	WASHER, SP/M8 Rondelle frein	2	2	2	2	
18-41	V300-260-0080-0	NUT/M8 Erou	2	2	2	2	
18-42	1421-116-0010-0	CONNECTOR, ACCEL Crochet d'accélérateur	1	1	1	1	for E10, 11, 12
18-43	V300-260-0060-0	NUT/M6 Erou	1	1	1	1	
18-44	1421-116-0020-0	TURN BUCKLE/M6 Tendeur	1	1	1	1	
18-45	1427-117-0020-0	ROD, THROTTLE Tige d'accélérateur	1	1	1	1	
18-46	V500-152-0018-0	PIN, SPLIT/2×18 Goupille fendue	2	2	2	2	for E10, 11, 12

Fig. 19

CLUTCH HOUSING AND CLUTCH PEDAL SYSTEM

- TX1300 - NO. 103150
- TX1300F - NO. 013253
- TX1500 - NO. 103882
- TX1500F - NO. 007348

Embrayage



Ref No. Réf No.	Parts No. Pièces No.	Description Désignation	Model & Q'ty Modél & Quant				Remarks Remarques
			TX 1300	TX 1300 F	TX 1500	TX 1500 F	
19- 1	1427-120-2001-0	HOUSING, CLUTCH Carter d'embrayage	1	1	1	1	
19- 2	V203-461-2030-0	BOLT/M12×30 9T P=1.25, Vis	6	6	6	6	
19- 3	V401-160-0120-0	WASHER, SP/M12 Rondelle frein	6	6	6	6	
19- 4	V413-160-0120-0	WASHER/M12 Rondelle	2	2	2	2	
19- 5	V201-260-8016-0	BOLT/M8×16 Vis	4	4	4	4	
19- 6	V401-160-0080-0	WASHER, SP/M8 Rondelle frein	4	4	4	4	
19- 7	V300-260-0080-0	NUT/M8 Ecrou	4	4	4	4	
19- 8	V201-260-8025-0	BOLT/M8×25 Vis	2	2	2	2	
19- 9	V302-260-0080-0	NUT/M8 Ecrou	2	2	2	2	
19-10	V763-400-0000-0	NIPPLE, GREASE Graisseur	1	1	1	1	
19-11	1427-120-0010-0	CAP Opercule	1	1	1	1	
19-12	1326-706-0020-0	PLUG, DRAIN Bouchon de vidange	1	1	1	1	
19-13	1427-120-0020-0	CAP, BLANK/M10 Fausset	6	6	6	6	
19-14	V300-460-0120-0	NUT/M12×7T Ecrou	8	8	8	8	
19-15	V401-160-0120-0	WASHER, SP/M12 Rondelle frein	8	8	8	8	
19-16	1427-120-2200-0	SHAFT, INPUT Arbre	1	1	1	1	
19-17	1427-120-0050-0	CUSHION/RUBBER Frottoir	1	1	1	1	
19-18	V320-160-0080-0	NUT, SLOTTED/M8 Ecrout à creneaux	3	3	3	3	
19-19	V500-152-0018-0	PIN, SPLIT/2×18 Goupille fendue	3	3	3	3	
19-20	1427-120-2300-0	CLUTCH ASSY Embrayage ensemble	1	1	1	1	
19-21	1427-120-0080-0	·LEVER, RELEASE Lever	3	3	3	3	
19-22	1427-120-0120-0	·SPRING, RETURN Resort	3	3	3	3	
19-23	1427-120-0130-0	·BOLT, LEVER Vis	3	3	3	3	
19-24	1427-120-0140-0	·NUT, SLOTTED Ecrou	3	3	3	3	
19-25	1427-120-0150-0	·WASHER Rondelle	3	3	3	3	
19-26	V500-151-6015-0	·PIN, SPLIT/1.6×15 Goupille fendue	3	3	3	3	
19-27	1427-120-0160-0	·BOLT, REAMER/M8×25 Vis	2	2	2	2	
19-28	1427-120-2500-0	·DISK, CLUTCH Disque d'embrayage	1	1	1	1	
19-29	V201-260-8020-0	BOLT/M8×20 Vis	4	4	4	4	
19-30	V401-160-0080-0	WASHER, SP/M8 Rondelle frein	4	4	4	4	
19-31	V401-160-0100-0	WASHER, SP/M10 Rondelle frein	2	2	2	2	
19-32	1416-120-0040-0	BEARING, , RELEASE Butée d'embrayage	1	1	1	1	
19-33	1427-120-0030-0	SLEEVE Manchon	1	1	1	1	
19-34	1427-120-0040-0	RING/FELT Feutre	1	1	1	1	
19-35	V705-140-0320-0	RING, SNAP/C-TYPE 32 Collet d'axe	1	1	1	1	
19-36	V742-120-3205-0	SEAL, OIL/VC20325 Joint à lèvres	1	1	1	1	
19-37	V720-103-5045-0	O-RING/P45 Joint torique	1	1	1	1	
19-38	1427-312-2000-0	SHAFT, BRAKE Axe de pédalier de frein	1	1	1	1	

Fig. 19

CLUTCH HOUSING AND CLUTCH PEDAL SYSTEM

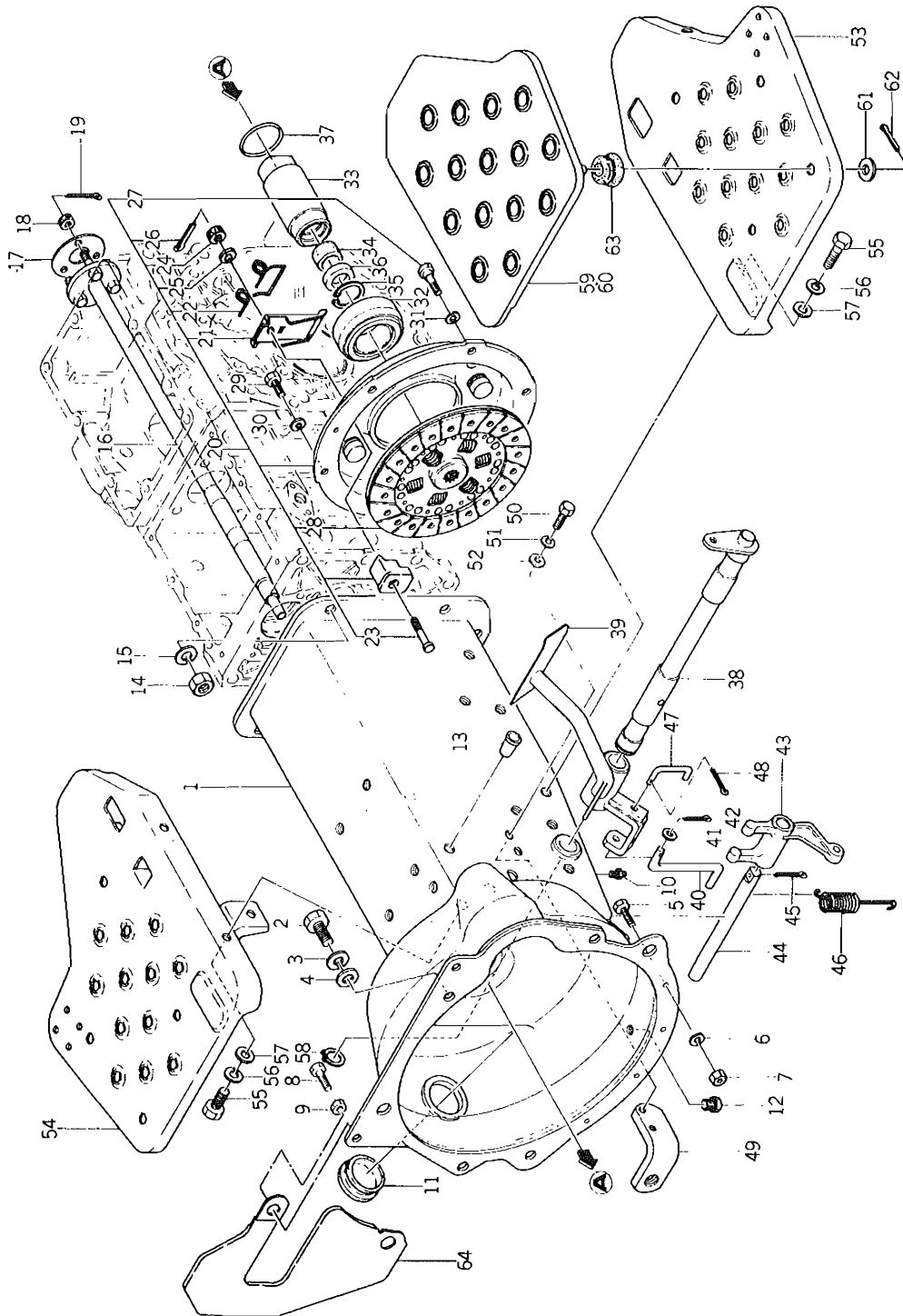
TX1300 - NO. 103150

Embrayage

TX1300F - NO. 013253

TX1500 - NO. 103882

TX1500F - NO. 007348



Ref No. Réf No.	Parts No. Pièces No.	Description Désignation	Model & Q'ty Modél & Quant				Remarks Remarques
			TX 1300	TX 1300 F	TX 1500	TX 1500 F	
19-39	1427-122-2000-0	PEDAL, CLUTCH Pedale d'embrayage	1	1	1	1	
19-40	1427-122-0040-0	ROD Tige de debayage	1	1	1	1	
19-41	V413-160-0080-0	WASHER/M8 Rondelle	2	2	2	2	
19-42	V500-153-5018-0	PIN, SPLIT/3.5×18 Goupille fendue	2	2	2	2	
19-43	1427-122-0010-0	YOKE Chape de debayage	1	1	1	1	
19-44	1427-122-0020-0	PIN, YOKE Axe de chape	1	1	1	1	
19-45	V500-153-0020-0	PIN, SPLIT/3×20 Goupille fendue	1	1	1	1	
19-46	1427-122-0030-0	SPRING, TENSION Ressort	1	1	1	1	
19-47	1427-122-0050-0	HOOK Crochet	1	1	1	1	
19-48	V500-152-5018-0	PIN, SPLIT/2.5×18 Goupille fendue	1	1	1	1	
19-49	1427-122-0060-0	PLATE, SWITCH Etrier d'intert	1	1	1	1	
19-50	V201-260-8016-0	BOLT/M8×16 Vis	2	2	2	2	
19-51	V401-160-0080-0	WASHER, SP/M8 Rondelle frein	2	2	2	2	
19-52	V413-160-0080-0	WASHER/M8 Rondelle	2	2	2	2	
19-53	1427-616-2002-0	STEP, LH Marche pied	1	1	1	1	
19-54	1427-616-2102-0	STEP, RH Marche pied	1	1	1	1	
19-55	V201-261-0020-0	BOLT/M10×20 Vis	6	6	6	6	
19-56	V401-160-0100-0	WASHER, SP/M10 Rondelle frein	6	6	6	6	
19-57	V413-160-0100-0	WASHER/M10 Rondelle	6	6	6	6	
19-58	V704-140-0220-0	RING, SNAP/C-TYPE 22 Collet d'axe	1	1	1	1	
19-59	1429-616-2001-0	STEP, SUB LH Sous-marchepied g			1	1	
19-60	1429-616-2101-0	STEP, SUB RH Sous-marchepied d			1	1	
19-61	V413-160-0080-0	WASHER/M8 Rondelle			8	8	
19-62	V500-152-0015-0	PIN, SPLIT/2×15 Goupille fendue			8	8	
19-63	1414-616-0010-0	RUBBER, CUSHION Calc			8	8	
19-64	1427-101-0270-0	GUARD Garde	1	1	1	1	

Fig. 19A CLUTCH HOUSING AND CLUTCH PEDAL SYSTEM

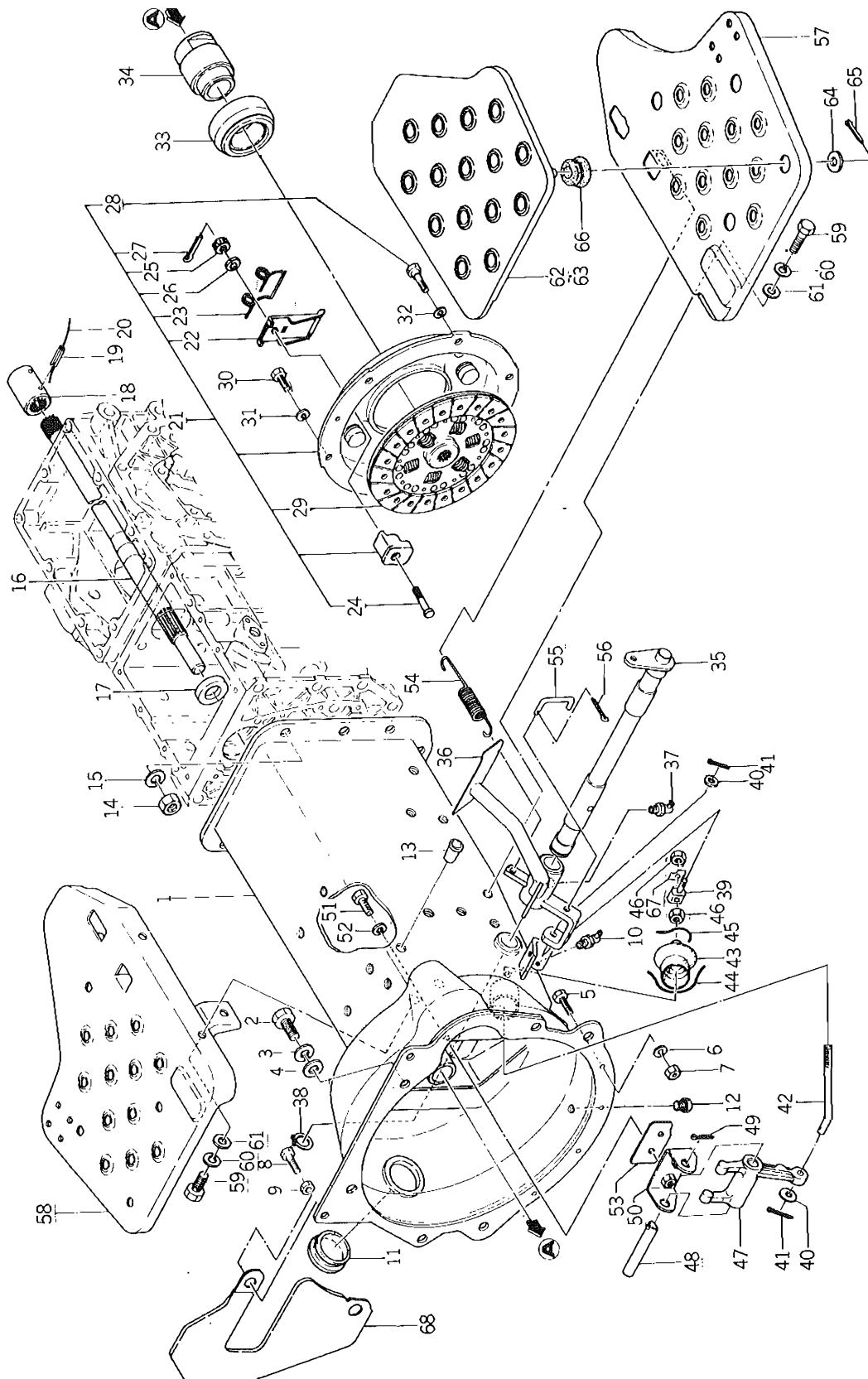
TX1300 NO.103151 -

Embrayage

TX1300F NO.013254 -

TX1500 NO.103883 -

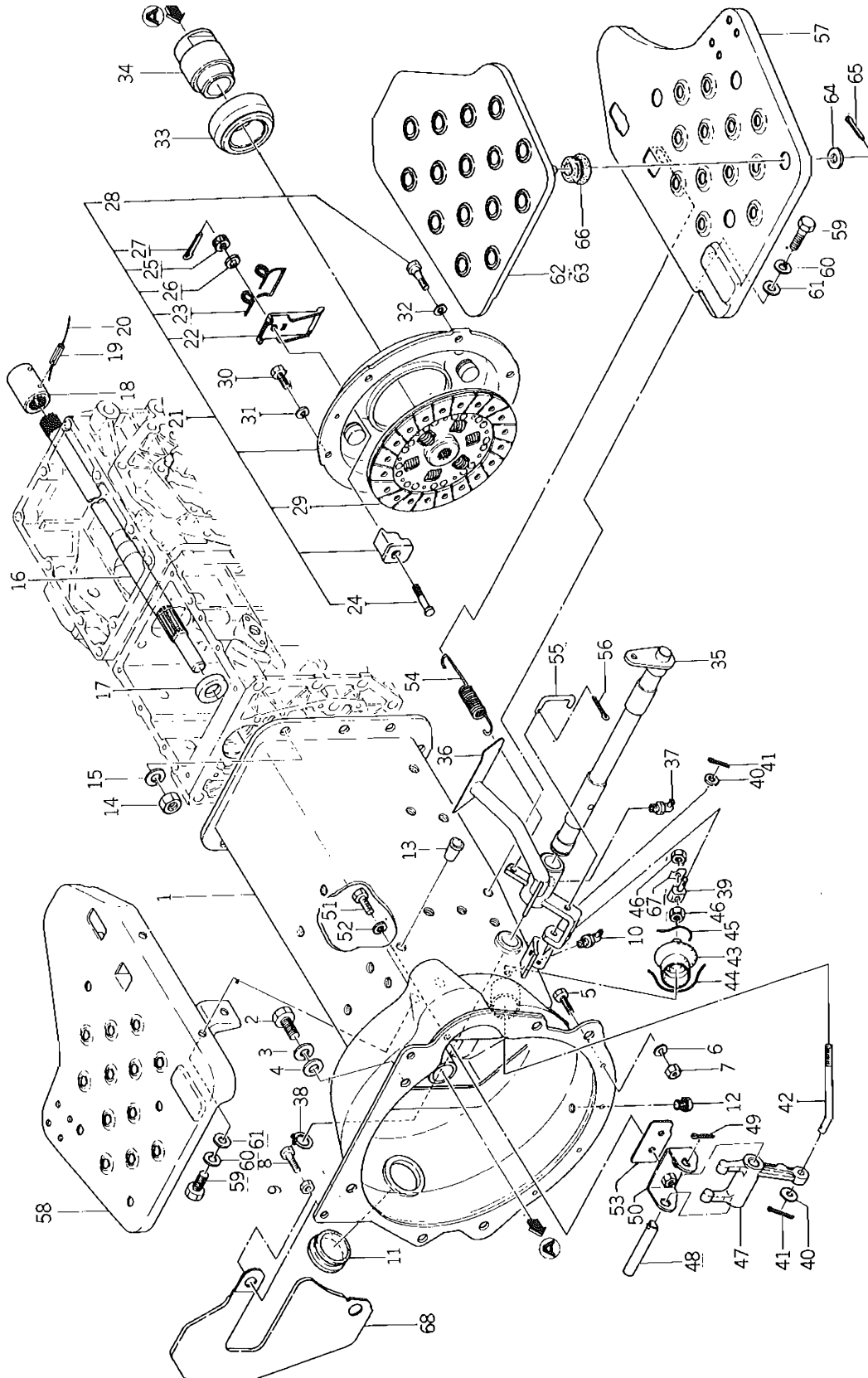
TX1500F NO.007349 -



Ref N°. Réf N°.	Parts No. Pièces No.	Description Désignation	Model & Q'ty Modél & Quant				Remarks Remarques
			TX 1300	TX 1300 F	TX 1500	TX 1500 F	
19A-1	1427-120-2002-0	HOUSING, CLUTCH Carter d'embrayage	1	1	1	1	
19A-2	V203-461-2030-0	BOLT/M12×30 9T P=1.25 Vis	6	6	6	6	
19A-3	V401-160-0120-0	WASHER, SP/M12 Rondelle frein	6	6	6	6	
19A-4	V413-160-0120-0	WASHER/M12 Rondelle	2	2	2	2	
19A-5	V201-260-8016-0	BOLT/M8×16 Vis	4	4	4	4	
19A-6	V401-160-0080-0	WASHER, SP/M8 Rondelle frein	4	4	4	4	
19A-7	V300-260-0080-0	NUT/M8 Ecrou	4	4	4	4	
19A-8	V201-260-8025-0	BOLT/M8×25 Vis	2	2	2	2	
19A-9	V302-260-0080-0	NUT/M8 Ecrou	2	2	2	2	
19A-10	V763-400-0000-0	NIPPLE, GREASE/B-PT1/8 Graisseur	1	1	1	1	
19A-11	1427-120-0010-0	CAP/42 Opercule	1	1	1	1	
19A-12	1326-706-0020-0	PLUG, DRAIN Bouchon de vidange	1	1	1	1	
19A-13	1427-120-0020-0	CAP, BLANK/M10 Fausset	6	6	6	6	
19A-14	V300-460-0120-0	NUT/M17 7T Ecrou	8	8	8	8	
19A-15	V401-160-0120-0	WASHER, SP/M12 Rondelle frein	8	8	8	8	
19A-16	1427-120-0170-0	SHAFT, INPUT Arbre d'embrayage	1	1	1	1	
X 19A-17	V740-120-3507-0 V740-120-3508-0	SEAL, OIL/SC20357 Joint a levres	1	1	1	1	81-01 MAR. 13/81. (A) PARTS INFO
19A-18	1434-120-0030-0	BOSS, SPLINE Douille d'accouplement	1	1	1	1	
19A-19	V580-140-5032-0	PIN, SPRING/5×32 Goupille elastique	2	2	2	2	
19A-20		WIRE/1×100 Fil	2	2	2	2	
19A-21	1427-120-2300-0	CLUTCH ASSY Embrayage ensemble	1	1	1	1	
19A-22	1427-120-0080-0	·LEVER, RELEASE Lever	3	3	3	3	
19A-23	1427-120-0120-0	·SPRING, RETURN Ressort	3	3	3	3	
19A-24	1427-120-0130-0	·BOLT, LEVER Vis	3	3	3	3	
19A-25	1427-120-0140-0	·NUT, SLOTTED Ecrrou a creneaux	3	3	3	3	
19A-26	1427-120-0150-0	·WASHER Rondelle	3	3	3	3	
19A-27	V500-151-6015-0	·PIN, SPLIT/1.6×15 Goupille fendue	3	3	3	3	
19A-28	1427-120-0160-0	·BOLT, REAMER/M8 Vis	2	2	2	2	
19A-29	1427-120-2500-0	·DISK, CLUTCH Disque d'embrayage	1	1	1	1	
19A-30	V201-260-8020-0	BOLT/M8×20 Vis	4	4	4	4	
19A-31	V401-160-0080-0	WASHER, SP/M8 Rondelle frein	4	4	4	4	
19A-32	V401-160-0100-0	WASHER, SP/M10 Rondelle frein	2	2	2	2	
19A-33	1416-120-0040-0	BEARING, RELEASE Butec d'embrayage	1	1	1	1	
19A-34	1434-120-0010-0	SLEEVE Manchon	1	1	1	1	
19A-35	1427-312-2000-0	SHAFT, BRAKE Axe de pedatier de frein	1	1	1	1	
19A-36	1436-122-2000-0	PEDAL, CLUTCH Pedale d'embrayage	1	1	1	1	
19A-37	V763-400-0000-0	NIPPLE, GREASE / B-PT1/8 Graisseur	1	1	1	1	
19A-38	V704-140-0220-0	RING, SNAP/G22 Collet d'axe	1	1	1	1	

Fig. 19A CLUTCH HOUSING AND CLUTCH PEDAL SYSTEM

TX1300 NO. 103151 ~ Embayage
 TX1300F NO. 013254 ~
 TX1500 NO. 103883 ~
 TX1500F NO. 007349 ~

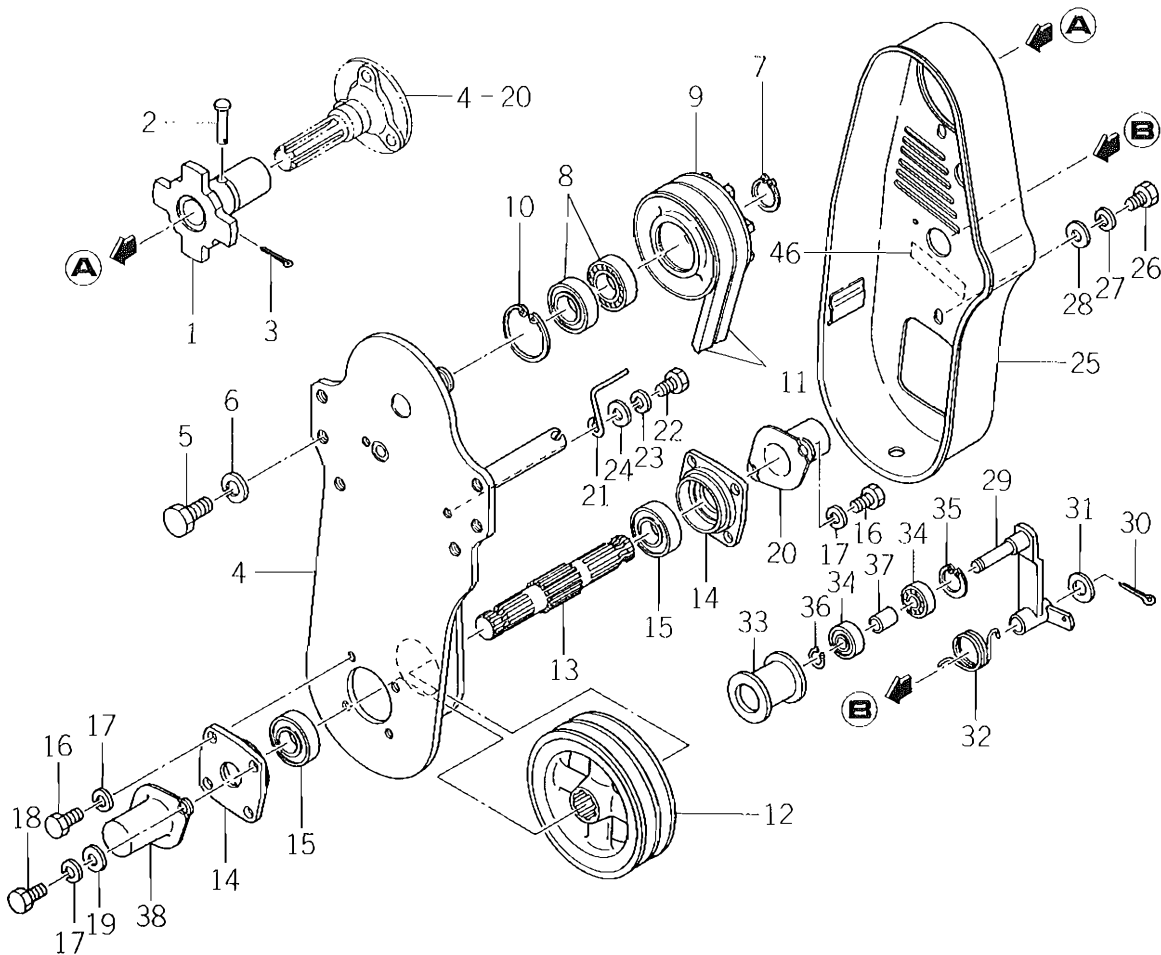
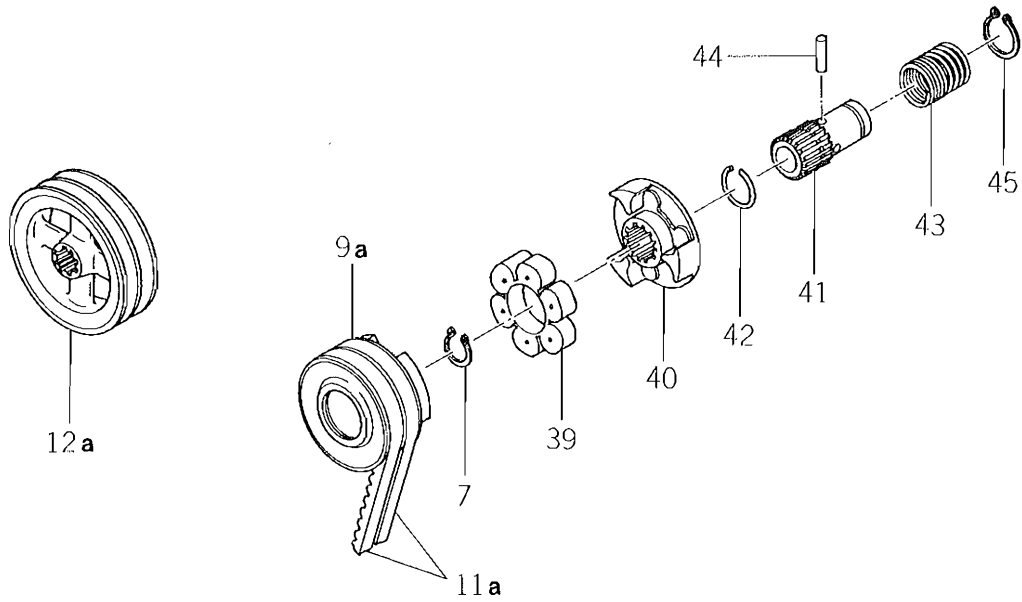


Ref N ^o .	Parts No.	Description	Model & Q'ty				Remarks
			Modél & Quant				
Ref N ^o .	Pièces No.	Désignation	TX 1300	TX 1300 F	TX 1500	TX 1500 F	Remarques
19A-39	1436-122-0110-0	PIN Axe	1	1	1	1	
19A-40	V413-160-0080-0	WASHER/M8 Rondelle	2	2	2	2	
19A-41	V500-153-0018-0	PIN, SPLIT/3×18 Goupille fendue	2	2	2	2	
19A-42	1436-122-0090-0	ROD Tige de débrayage	1	1	1	1	
19A-43	1434-122-0050-0	BOOTS Soufflet en caoutchouc	1	1	1	1	
19A-44		WIRE/1×250 Fil	1	1	1	1	
19A-45		WIRE/1×70 Fil	1	1	1	1	
19A-46	V305-260-0080-0	NUT/M8 Ecrout	2	2	2	2	
19A-47	1436-122-0010-0	YOKE Chape de débrayage	1	1	1	1	
19A-48	1434-122-0020-0	PIN, YOKE Axe de chape	1	1	1	1	
19A-49	V500-153-0018-0	PIN, SPLIT/3×18 Goupille fendue	1	1	1	1	
19A-50	1436-122-2200-0	BRACKET, YOKE Support	1	1	1	1	
19A-51	V201-260-8016-0	BOLT/M8×16 Vis	2	2	2	2	
19A-52	V401-160-0080-0	WASHER, SP/M8 Rondelle frein	2	2	2	2	
19A-53	1436-122-0120-0	SHIM D Cale	1	1	1	1	
19A-54	1436-122-0020-0	SPRING, TENSION/132 Ressort	1	1	1	1	
19A-55	1436-122-0030-0	HOOK Crochet	1	1	1	1	
X19A-56	V500-153-0018-0 V500-153-5018-0	PIN, SPLIT/2.5×18-3 x 20 Goupille fendue	1	1	1	1	(A) info no. 82-02 (6/6) March 31, '62
19A-57	1436-616-2000-0	STEP, LH Marche pied g.	1	1	1	1	
19A-58	1427-616-2102-0	STEP, RH Marche pied d.	1	1	1	1	
19A-59	V201-261-0020-0	BOLT/M10×20 Vis	6	6	6	6	
19A-60	V401-160-0100-0	WASHER, SP/M10 Rondelle frein	6	6	6	6	
19A-61	V413-160-0100-0	WASHER/M10 Rondelle	6	6	6	6	
19A-62	1429-616-2001-0	STEP, SUB LH Sous-marchepied g.			1	1	
19A-63	1429-616-2101-0	STEP, SUB RH Sous-marchepied d.			1	1	
19A-64	V413-160-0080-0	WASHER/M8 Rondelle			8	8	
19A-65	V500-152-0015-0	PIN, SPLIT/2×15 Goupille fendue			8	8	
19A-66	1414-616-0010-0	RUBBER, CUSHION Cale			8	8	
19A-67	1417-201-0030-0	WASHER, LOCK/M8 Rondelle frein			1	1	
19A-68	1427-101-0270-0	GUARD Garde	1	1	1	1	★

Fig. 22

FRONT P. T. O. SET (I)

Prise de force av (I) (I)

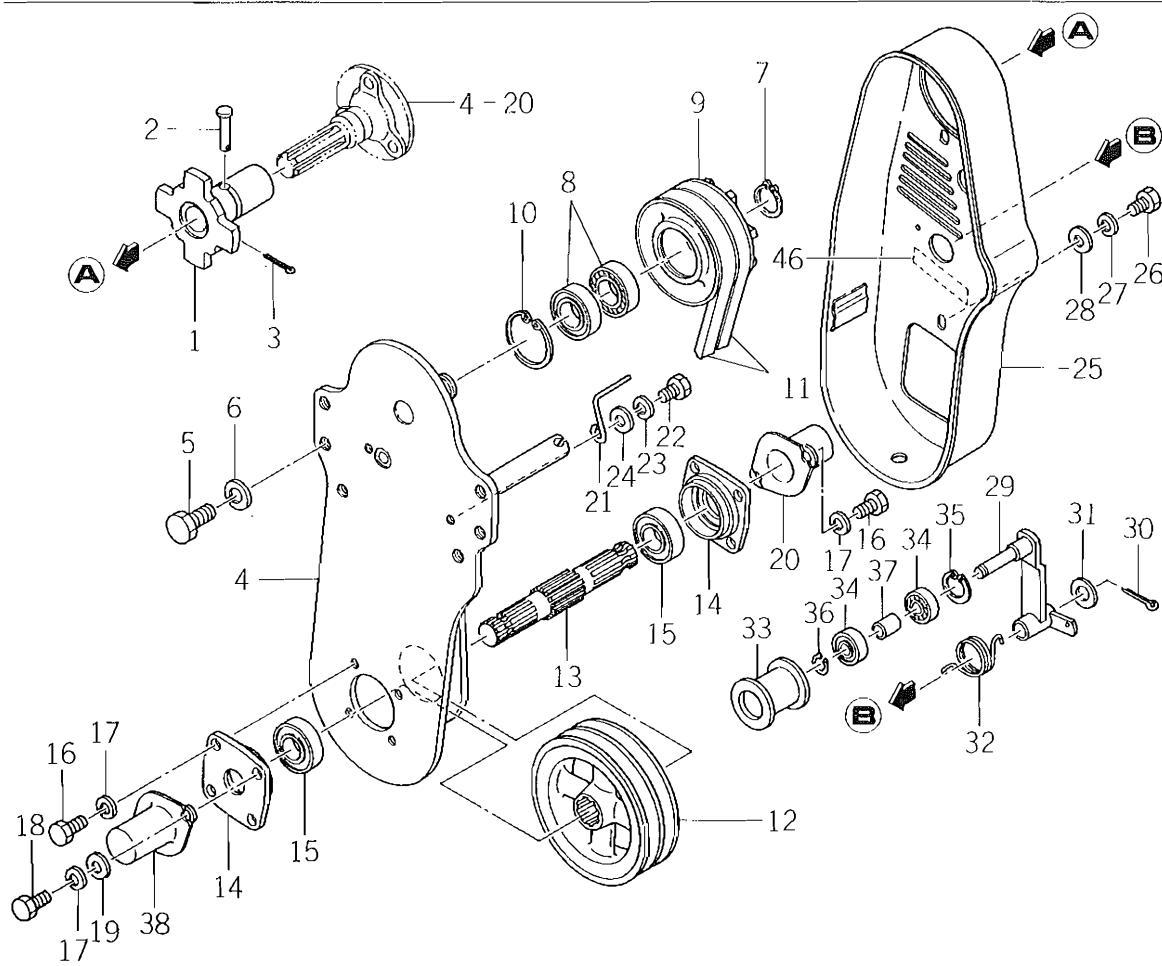
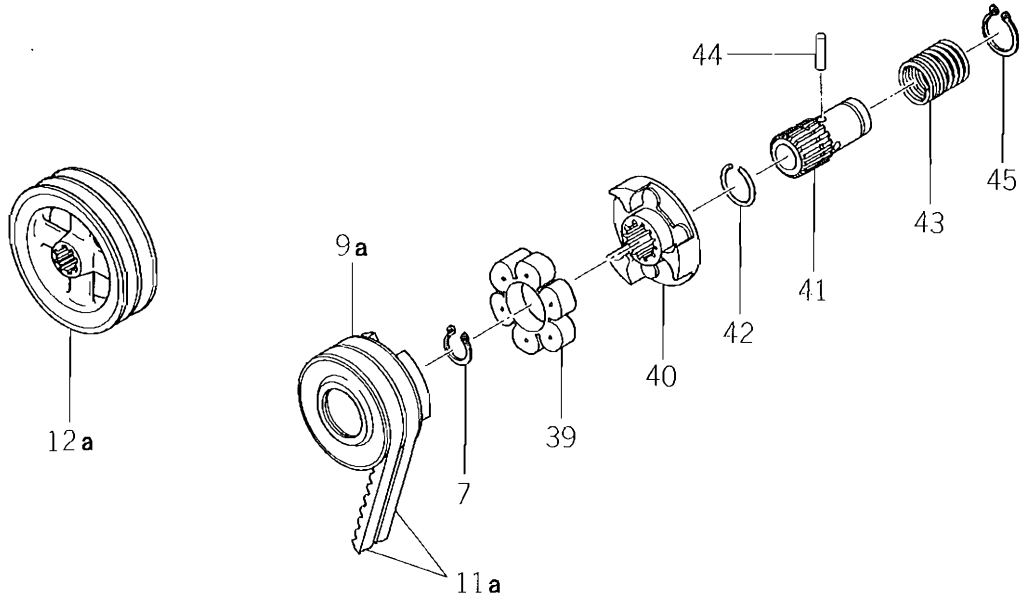


Ref No. Réf No.	Parts No. Pièces No.	Description Désignation	Model & Q'ty Modél & Quant				Remarks Remarques
			TX 1300	TX 1300 F	TX 1500	TX 1500 F	
22- 0-1	1427-130-0000-0	FRONT PTO SET/TYPE 1 Prise de force av	1	1	1	1	★** included 22-1-22-37, Compris 25-1-25-15
22- 0-1a	1427-130-0001-0	FRONT PTO SET/TYPE 1 Prise de force av	1	1	1	1	★ (B)
22- 1	1427-130-2100-0	JOINT Joint	1	1	1	1	★
22- 2	1427-130-2010-0	PIN, JOINT Goupille	1	1	1	1	★ }
22- 3	V500-152-5015-0	PIN, SPLIT/2.5×15 Goupille fendue	1	1	1	1	★ }
22- 4	1427-130-2400-0	BRACKET, PTO Support	1	1	1	1	★
22- 4a	1427-130-2401-0	BRACKET, PTO Support	1	1	1	1	★
22- 5	V201-261-2020-0	BOLT/M12×20 Vis	4	4	4	4	★
22- 6	V401-160-0120-0	WASHER, SP/M12 Rondelle frein	4	4	4	4	★
22- 7	V704-140-0250-0	RING, SNAP/C-TYPE 25 Collet d'axe	1	1	1	1	★
22- 8	V600-140-6205-0	BEARING, RB/6205RS Roulement	2	2	2	2	★
22- 9	1427-130-2210-0	PULLEY, V/98 Rea	1	1	1	1	★ *
22- 9a	1427-130-2211-0	PULLEY, V/99 Rea	1	1	1	1	★ (C)
22-10	V705-140-0520-0	RING, SNAP/C-TYPE 52 Collet d'axe	1	1	1	1	★
22-11	V817-200-0430-0	BELT, V/SB-43 Courroie de reas	2	2	2	2	★ *
22-11a	1427-130-2270-0	BELT, V/SB-43.5 Courroie de reas	2	2	2	2	★ (C)
22-12	1427-130-2220-0	PULLEY, V/138 Rea	1	1	1	1	★ *
22-12a	1427-130-2221-0	PULLEY, V/137 Rea	1	1	1	1	★ (C)
22-13	1427-130-2230-0	SHAFT, PTO/DN Arbre	1	1	1	1	★
22-14	1427-130-2240-0	METAL, PTO SHAFT Coquille	2	2	2	2	★
22-15	V600-150-6205-0	BEARING, RB/6205 2RS Roulement	2	2	2	2	★
22-16	V201-260-8020-0	BOLT/M8×20 Vis	6	6	6	6	★
22-17	V401-160-0080-0	WASHER, SP/M8 Rondelle frein	8	8	8	8	★
22-18	V201-260-8025-0	BOLT/M8×25 Vis	2	2	2	2	★
22-19	V413-160-0080-0	WASHER/M8 Rondelle	2	2	2	2	★
X22-20	1427-130-2600-0 1427-130-2600-0	CAP, SHAFT Chapeau d'arbre	1	1	1	1	★ (A) info no. 82-02(6/6) March 31, '82
22-21	1427-130-2250-0	STOPPER, BELT Arret de courroie	2	2	2	2	★
22-22	V201-260-8016-0	BOLT/M8×16 Vis	2	2	2	2	★
22-23	V401-160-0080-0	WASHER, SP/M8 Rondelle frein	2	2	2	2	★
22-24	V413-160-0080-0	WASHER/M8 Rondelle	2	2	2	2	★
22-25	1427-130-2800-0	COVER, PTO CASE Couvercle de carter	1	1	1	1	★
22-26	V201-261-0014-0	BOLT/M10×14 Vis	2	2	2	2	★
22-27	V401-160-0100-0	WASHER, SP/M10 Rondelle frein	2	2	2	2	★
22-28	V413-160-0100-0	WASHER/M10 Rondelle	2	2	2	2	★
22-29	1427-130-2900-0	ARM, TENSION Tirant	1	1	1	1	★
22-30	V500-153-0030-0	PIN, SPLIT/3×30 Goupille fendue	1	1	1	1	★
22-31	1427-601-0030-0	WASHER/15×24×2 Rondelle	1	1	1	1	★
22-32	1427-130-2260-0	SPRING, TORQUE/32 Ressort	1	1	1	1	★

Fig. 22

FRONT P. T. O. SET (I)

Prise de force av (I) (I)



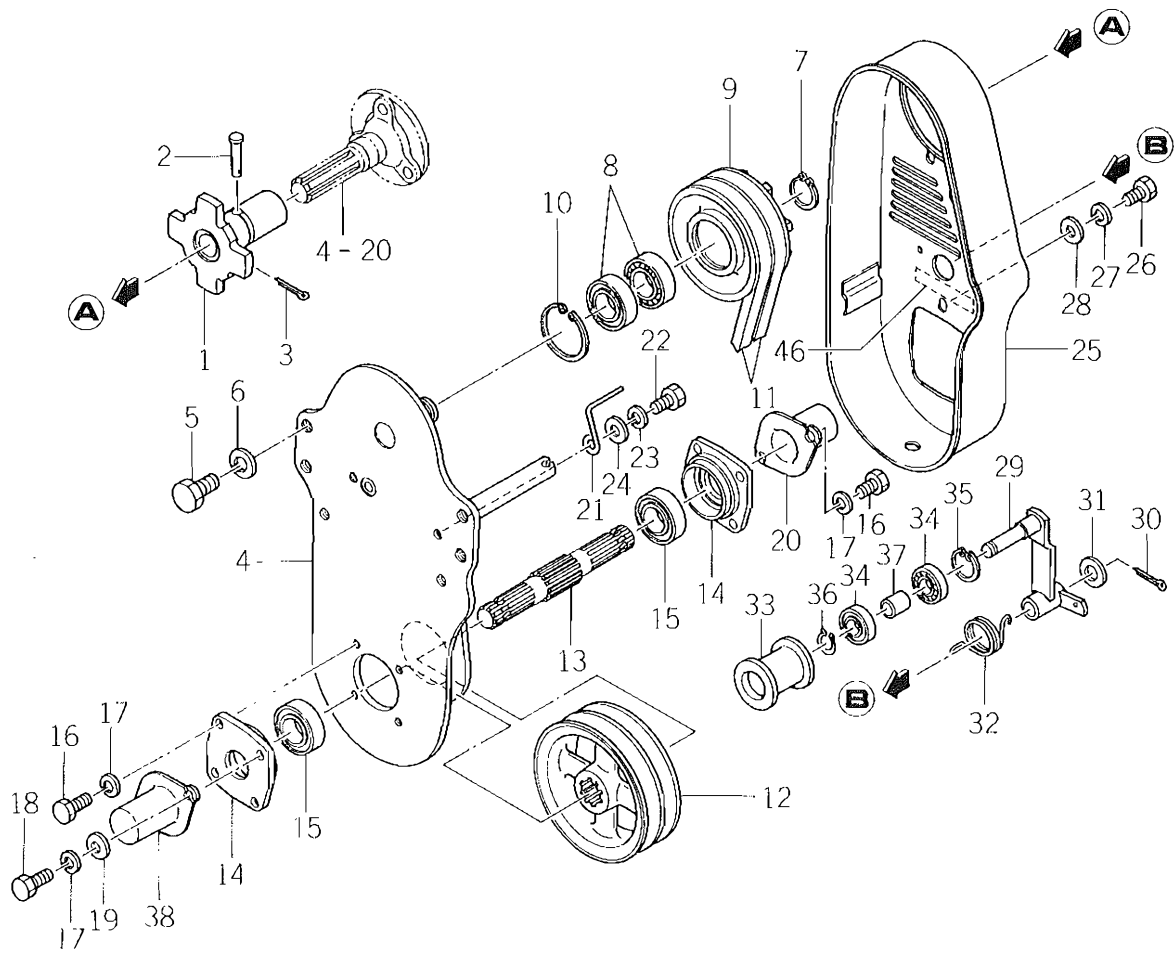
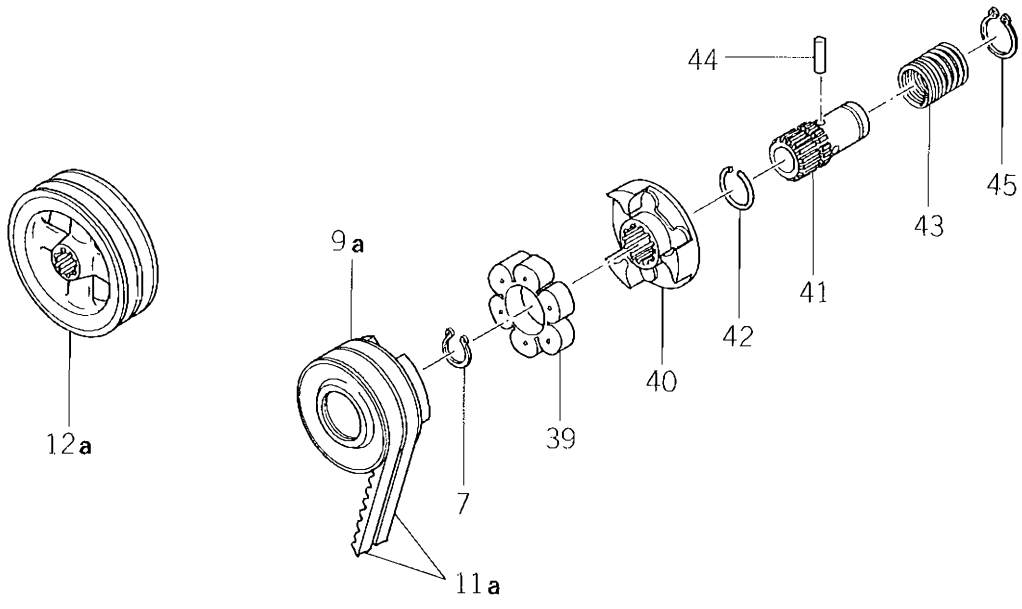
Ref No. Réf No.	Parts No. Pièces No.	Description Désignation	Model & Q'ty Modél & Quant				Remarks Remarques
			TX 1300	TX 1300 F	TX 1500	TX 1500 F	
22-33	1329-202-0011-0	PULLEY, TENSION/40×43 Galet tendeur	1	1	1	1	★
22-34	V600-140-6201-0	BEARING, RB/6201RS Roulement	2	2	2	2	★
22-35	V705-140-0320-0	RING, SNAP/C-TYPE 32 Collet d'axe	1	1	1	1	★
22-36	V704-140-0120-0	RING, SNAP/C-TYPE 12 Collet d'axe	1	1	1	1	★
22-37	1329-202-0030-0	COLLAR, TENSION Collier	1	1	1	1	★
K22-38	1427-130-2700-0 1427-130-2611-0	CAP, SHAFT (B) Chapeau d'arbre	1	1	1	1	★ (A) info n.c. 82-02 (6/6) March 31, '82
22-39	1427-130-2020-0	JOINT/RUBBER Joint elastique a billes	1	1	1	1	★
22-40	1427-130-2030-0	COUPLER Corps de joint	1	1	1	1	★
22-41	1427-130-2040-0	PIPE, SPLINE Doutille d'accouplement	1	1	1	1	★
22-42	1427-130-2050-0	RING, STOP/38 Collet d'axe	1	1	1	1	★ (C) NO.80401 ~
22-43	1427-130-2060-0	SPRING, PRESS/42 Ressort	1	1	1	1	★
22-44	1427-130-2070-0	PIN/8×34 Goupille	1	1	1	1	★
22-45	V704-140-0350-0	RING, SNAP/C-TYPE 35 Collet d'axe	1	1	1	1	★
22-46	1427-941-0270-0	MARK, MADE IN JAPAN Etiquette	1	1	1	1	★

※ ~ NO.80400

Fig. 23

FRONT P. T. O. SET (II)

Prise de force av (II)..... (1)

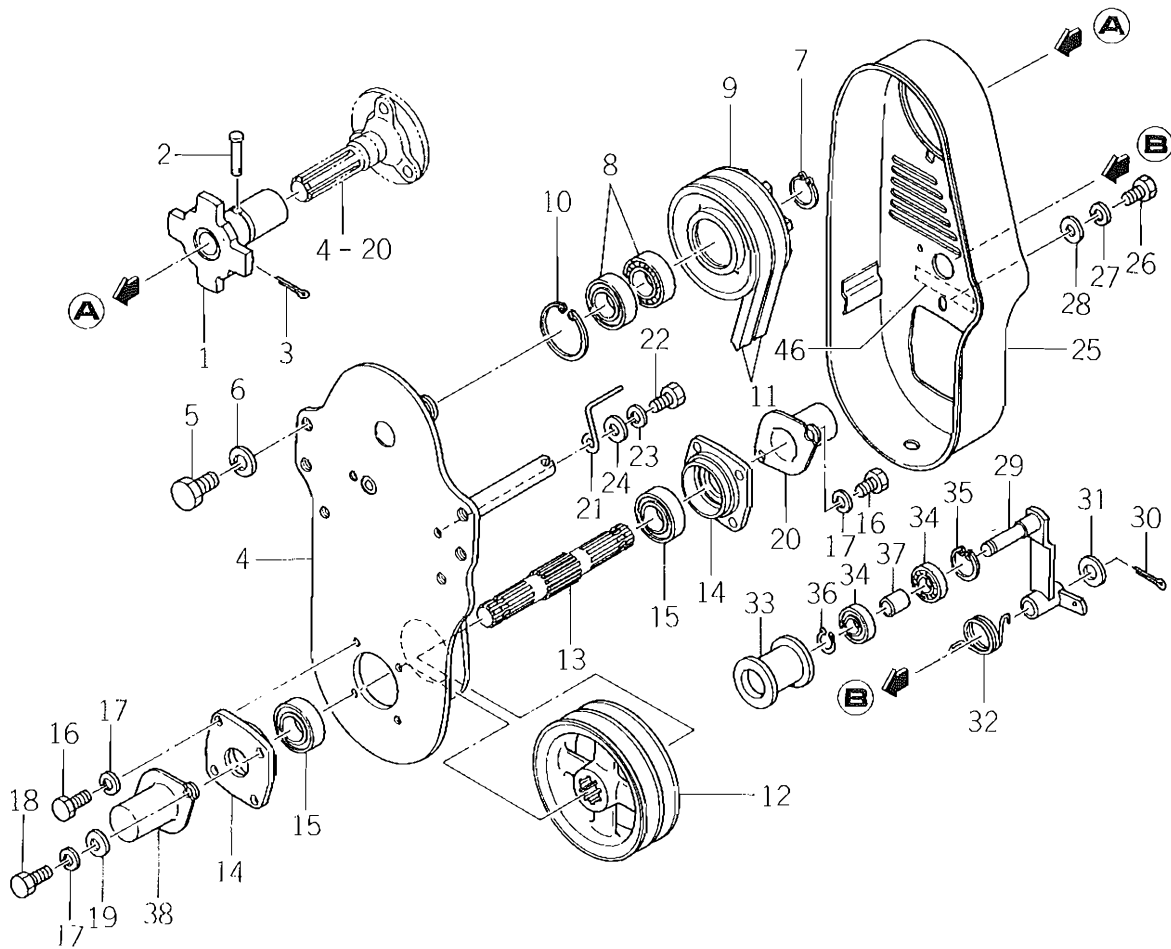
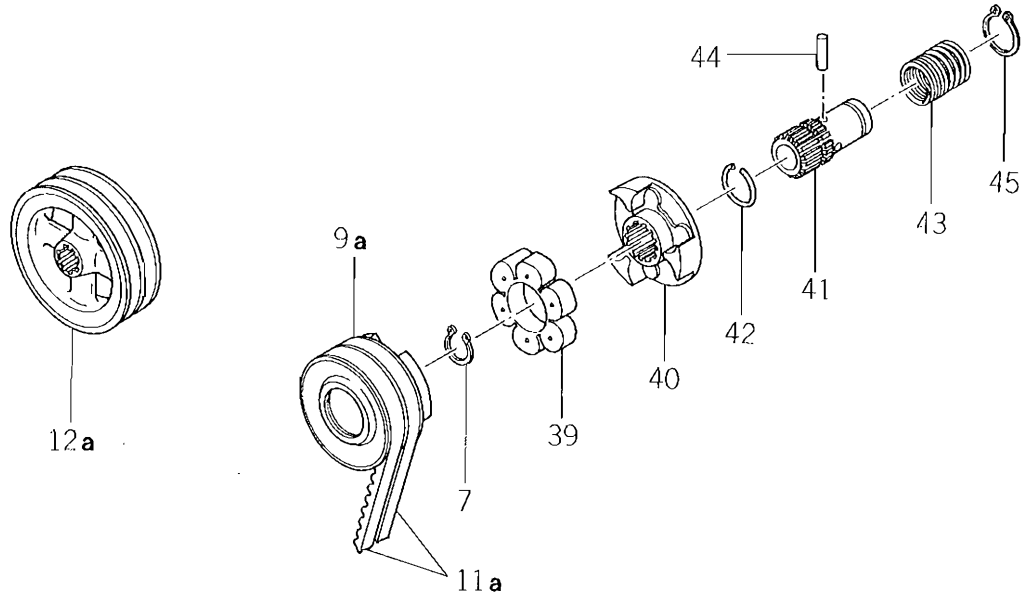


Ref No. Réf No.	Parts No. Pièces No.	Description Désignation	Model & Q'ty Modél & Quant				Remarks Remarques
			TX 1300	TX 1300 F	TX 1500	TX 1500 F	
23- 0-1	1427-131-0000-0	FRONT PTO SET/TYPE 2 Prise de force av	1	1	1	1	*** Included 23-1-23-37, Compris 25-1-25-15
23- 0-1a	1427-131-0001-0	FRONT PTO SET/TYPE 2 Prise de force av	1	1	1	1	★ ⑩
23- 1	1427-130-2100-0	JOINT Joint	1	1	1	1	★
23- 2	1427-130-2010-0	PIN, JOINT Goupille	1	1	1	1	★ *
23- 3	V500-152-5015-0	PIN, SPLIT/2.5×15 Goupille fendue	1	1	1	1	★
23- 4	1427-131-2100-0	BRACKET, PTO Support	1	1	1	1	★
23- 4a	1427-131-2101-0	BRACKET, PTO Support	1	1	1	1	★
23- 5	V201-261-2020-0	BOLT/M12×20 Vis	4	4	4	4	★
23- 6	V401-160-0120-0	WASHER, SP/M12 Rondelle frein	4	4	4	4	★
23- 7	V704-140-0250-0	RING, SNAP/C-TYPE 25 Collet d'axe	1	1	1	1	★
23- 8	V600-140-6205-0	BEARING, RB/6205RS Roulement	2	2	2	2	★
23- 9	1427-130-2210-0	PULLEY, V/98 Rea	1	1	1	1	★ *
23- 9a	1427-130-2211-0	PULLEY, V/99 Rea	1	1	1	1	★ ①
23-10	V705-140-0520-0	RING, SNAP/C-TYPE 52 Collet d'axe	1	1	1	1	★
23-11	V817-200-0380-0	BELT, V/SB-38 Courroie de reas	2	2	2	2	★ *
23-11a	1427-131-2010-0	BELT, V/SB-38 Courroie de reas	2	2	2	2	★ ①
23-12	1427-130-2220-0	PULLEY, V/138 Rea	1	1	1	1	★ *
23-12a	1427-130-2221-0	PULLEY, V/137 Rea	1	1	1	1	★ ①
23-13	1427-130-2230-0	SHAFT, PTO (DN) Arbre	1	1	1	1	★
23-14	1427-130-2240-0	METAL, PTO SHAFT Coquille	2	2	2	2	★
23-15	V600-150-6205-0	BEARING, RB/6205 2RS Roulement	2	2	2	2	★
23-16	V201-260-8020-0	BOLT/M8×20 Vis	6	6	6	6	★
23-17	V401-160-0080-0	WASHER, SP/M8 Rondelle frein	8	8	8	8	★
23-18	V201-260-8025-0	BOLT/M8×25 Vis	2	2	2	2	★
23-19	V413-160-0080-0	WASHER/M8 Rondelle	2	2	2	2	★
X 23-20	1427-130-2600-0 1494-130-2611-0	CAP, SHAFT Chapeau d'arbre	1	1	1	1	★ ① in/c no. 82-02 (6/6) March 31, '82
23-21	1427-130-2250-0	STOPPER, BELT Arret de courroie	2	2	2	2	★
23-22	V201-260-8016-0	BOLT/M8×16 Vis	2	2	2	2	★
23-23	V401-160-0080-0	WASHER, SP/M8 Rondelle frein	2	2	2	2	★
23-24	V413-160-0080-0	WASHER/M8 Rondelle	2	2	2	2	★
23-25	1427-131-2200-0	COVER, PTO CASE Couvercle de carter	1	1	1	1	★
23-26	V201-261-0014-0	BOLT/M10×14 Vis	2	2	2	2	★
23-27	V401-160-0100-0	WASHER, SP/10 Rondelle frein	2	2	2	2	★
23-28	V413-160-0100-0	WASHER/M10 Rondelle	2	2	2	2	★
23-29	1427-130-2900-0	ARM, TENSION Tirant	1	1	1	1	★
23-30	V500-153-0030-0	PIN, SPLIT/3×30 Goupille fendue	1	1	1	1	★
23-31	1427-601-0030-0	WASHER/15×24×2 Rondelle	1	1	1	1	★
23-32	1427-130-2260-0	SPRING, TORQUE/32 Ressort	1	1	1	1	★

Fig. 23

FRONT P. T. O. SET (II)

Prise de force av (II)..... (1)



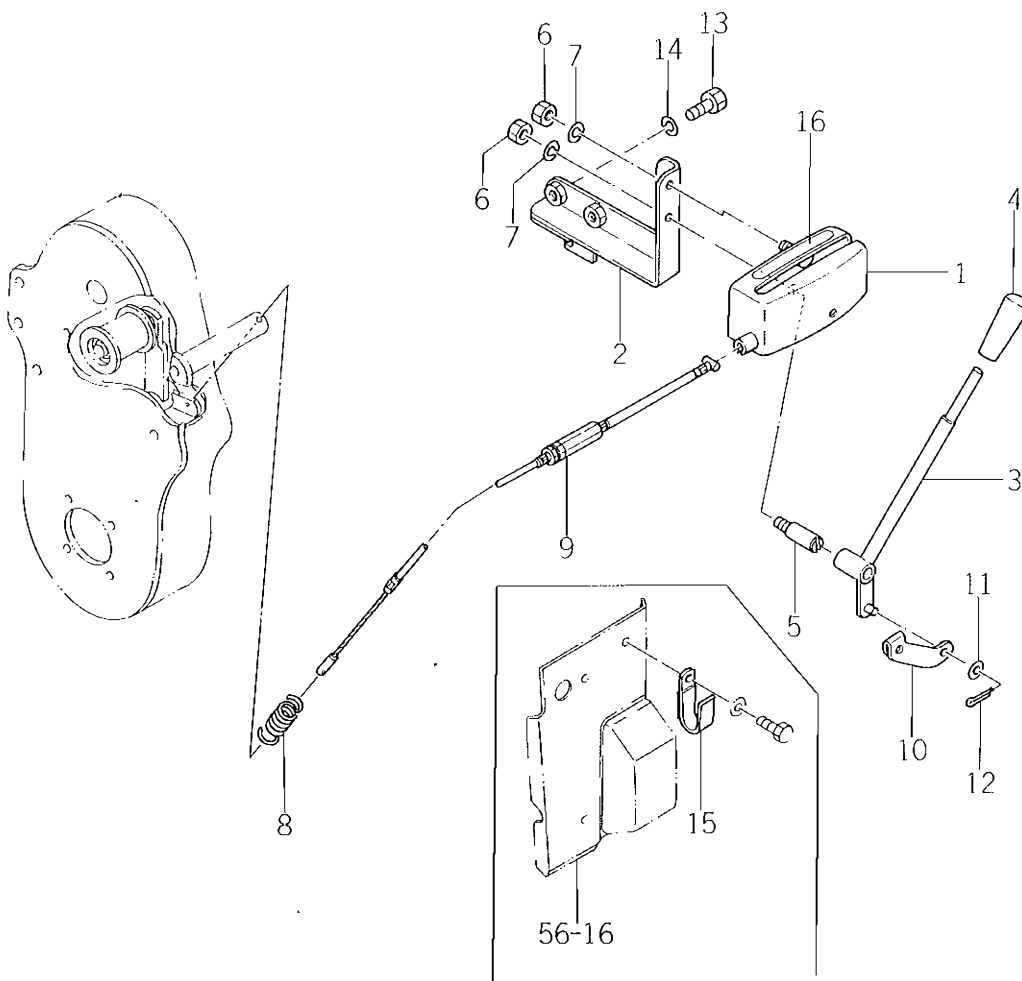
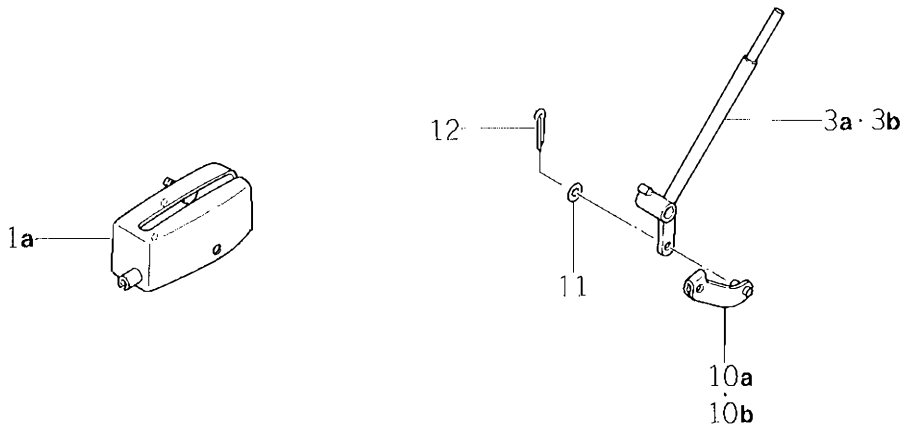
Ref N ^o .	Parts No.	Description	Model & Q'ty				Remarks
			Modél & Quant				
Ref N ^o .	Pièces No.	Désignation	TX 1300	TX 1300 F	TX 1500	TX 1500 F	Remarques
23-33	1329-202-0011-0	PULLEY, TENSION/40×43 Galet tendeur	1	1	1	1	★
23-34	V600-140-6201-0	BEARING, RB/6201RS Roulement	2	2	2	2	★
23-35	V705-140-0320-0	RING, SNAP/C-TYPE 32 Collet d'axe	1	1	1	1	★
23-36	V704-140-0120-0	RING, SNAP/C-TYPE 12 Collet d'axe	1	1	1	1	★
23-37	1329-202-0030-0	COLLAR, TENSION Collier	1	1	1	1	★
23-38	1427-130-2700-0	CAP, SHAFT (E) Chapeau d'arbre	1	1	1	1	★ (N) info no. 82-02 (6/6) March 31, 82
23-39	1427-130-2020-0	JOINT/RUBBER Joint élastique à billes	1	1	1	1	★
23-40	1427-130-2030-0	COUPLER Corps de joint	1	1	1	1	★
23-41	1427-130-2040-0	PIPE, SPLINE Douille d'accouplement	1	1	1	1	★
23-42	1427-130-2050-0	RING, STOP/38 Collet d'axe	1	1	1	1	★ ©
23-43	1427-130-2060-0	SPRING, PRESS/42 Ressort	1	1	1	1	★
23-44	1427-130-2070-0	PIN/8×34 Goupille	1	1	1	1	★
23-45	V704-140-0350-0	RING, SNAP/C-TYPE 35 Collet d'axe	1	1	1	1	★
23-46	1427-941-0270-0	MARK, MADE IN JAPAN Étiquette	1	1	1	1	★

※ ~NO.1040

Fig. 25

CLUTCH CASE FOR FRONT P. T. O. UNIT

Prise de force av (I) (II).. (2)

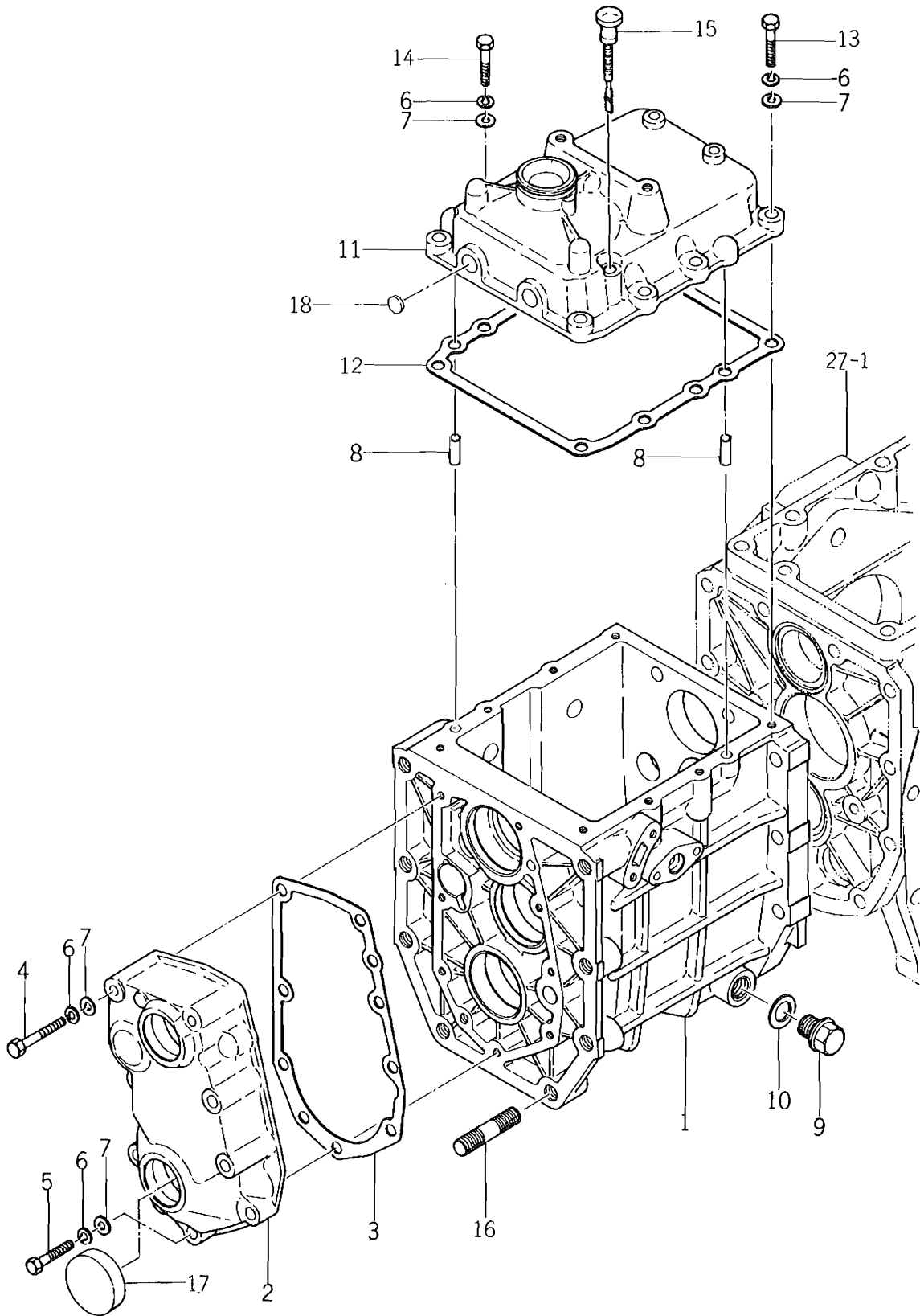


Ref No. Réf No.	Parts No. Pièces No.	Description Désignation	Model & Q'ty Modèle & Quant				Remarks Remarques
			TX 1300	TX 1300 F	TX 1500	TX 1500 F	
25- 0-1	1427-130-3000-0	CASE, CLUTCH ASSY Cloche d'embrayage	1	1	1	1	*
25- 1	1427-130-3100-0	·CASE, CLUTCH Cloche d'embrayage	1	1	1	1	*
25- 1a	1427-130-3101-0	·CASE, CLUTCH Cloche d'embrayage	1	1	1	1	*
25- 2	1427-130-3200-0	·BRACKET, CASE Support carter	1	1	1	1	*
25- 3	1427-130-3300-0	·LEVER, CLUTCH Lever	1	1	1	1	*
25- 3a	1427-130-3301-0	·LEVER, CLUTCH Lever	1	1	1	1	*
25- 3b	1427-130-3302-0	·LEVER, CLUTCH Lever	1	1	1	1	*
X25- 4	2101-230-0010-0 4106-105-3030-0	·GRIP KNOB Poignée	1	1	1	1	* (A) info no. 82-02 (6/6) March 31, 82
25- 5	1427-130-3010-0	·PIN, LEVER Axe d'embrayage	1	1	1	1	*
25- 6	V300-260-0100-0	·NUT/M10 Ecran	2	2	2	2	*
25- 7	V401-160-0100-0	·WASHER, SP/M10 Rondelle frein	2	2	2	2	*
25- 8	1352-404-0040-0	·SPRING, CLUTCH Ressort	1	1	1	1	*
X25- 9	1427-130-3030-0	·WASHER, SP/M10 Cable wire, PTO clutch	1	1	1	1	* info n° 81-40 (1/1) Dec 26, '81.
X25-10	1427-130-3040-0	·WIRE, PTO CLUTCH Raidisseur Tensioner, wire	1	1	1	1	" " "
25-10a	1427-130-3400-0	·TENSIONER, WIRE Raidisseur	1	1	1	1	*
25-10b	1427-130-3401-0	·TENSIONER, WIRE Raidisseur	1	1	1	1	*
25-11	V413-160-0080-0	·WASHER/M8 Rondelle	1	1	1	1	*
25-12	V500-152-5015-0	·PIN, SPLIT/2.5×15 Goupille fendue	1	1	1	1	*
25-13	V201-261-0020-0	·BOLT/M10×20 Vis	2	2	2	2	*
25-14	V401-160-0100-0	·WASHER, SP/M10 Rondelle frein	2	2	2	2	*
25-15	1425-621-0040-0	·CLAMP, HARNESS Attache faisceau	1	1	1	1	*
25-16	1427-932-0120-0	·MARK, CLUTCH Étiquette	1	1	1	1	*

Fig. 26

FRONT TRANSMISSION CASE SYSTEM

Boite de vitesses av

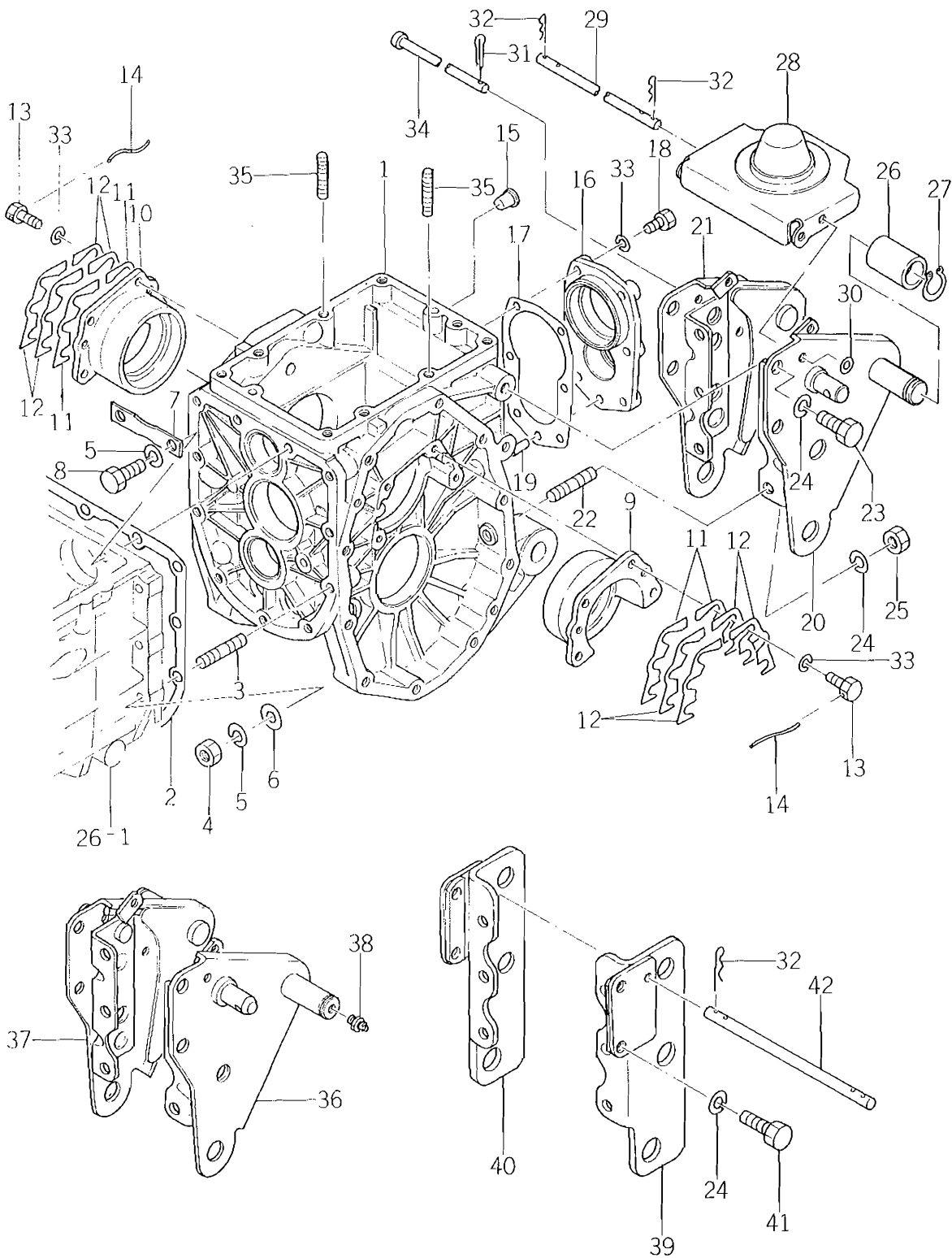


Ref N ^o .	Parts No.	Description	Model & Q'ty				Remarks
			Modél & Quant				
Ref N ^o .	Pièces No.	Désignation	TX 1300	TX 1300 F	TX 1500	TX 1500 F	Remarques
26- 1	1427-201-0010-0	CASE, F. T-MISSION Boîte de vitesses	1	1	1	1	
26- 2	1427-201-0050-0	METAL, INPUT Coquille d'entree	1	1	1	1	
26- 3	1427-201-0060-0	PACKING, INPUT METAL Joint	1	1	1	1	
26- 4	V201-260-8060-0	BOLT/M8 x 60 Vis	4	4	4	4	
26- 5	V201-260-8035-0	BOLT/M8 x 35 Vis	4	4	4	4	
26- 6	V401-160-0080-0	WASHER, SP/M8 Rondelle frein	16	16	16	16	
26- 7	V413-160-0080-0	WASHER/M8 Rondelle	16	16	16	16	
26- 8	V521-100-8016-0	PIN, STRAIGHT (B)/8x16 Goupille	6	6	6	6	
26- 9	1427-201-0070-0	PLUG, DRAIN Bouchon de vidange	1	1	1	1	
26-10	1427-201-0080-0	WASHER, SEAL (16) Joint de bouchon	1	1	1	1	
26-11	1427-207-0010-0	COVER, F. T-MISSION Couvercle	1	1	1	1	
26-12	1427-207-0020-0	PACKING/PAPER Joint	1	1	1	1	
26-13	V201-260-8030-0	BOLT/M8 x 30 Vis	7	7	7	7	} 1300 -NO. 103100 1300F -NO. 012851 1500 -NO. 103728 1500F -NO. 007029
26-14	V201-260-8025-0	BOLT/M8 x 25 Vis	1	1	1	1	
Y 26-13a	V201-260-8030-0 V201-260-8030-0	BOLT/M8 x 30 Vis	X	X	X	X	
X 26-14a	V201-260-8025-0 V201-260-8025-0	BOLT/M8 x 25 Vis	2	2	2	2	
26-15	1427-207-0080-0	GAUGE, LEVEL Jauge	1	1	1	1	} 1300 NO. 103101- 1300F NO. 012852- 1500 NO. 103729- 1500F NO. 007030- PARTS INFO MAR 13, 81
26-16	V252-261-2025-0	STUD/M12 x 25 Goujon	8	8	8	8	
26-17	1340-253-0020-0	CAP, SEAL (35) Bouchon	1		1		
26-18	1427-210-0040-0	CAP, BLANK/14 x 4 Fausset	4	4	4	4	

Fig. 27

REAR TRANSMISSION CASE SYSTEM

Boîte de vitesses ar

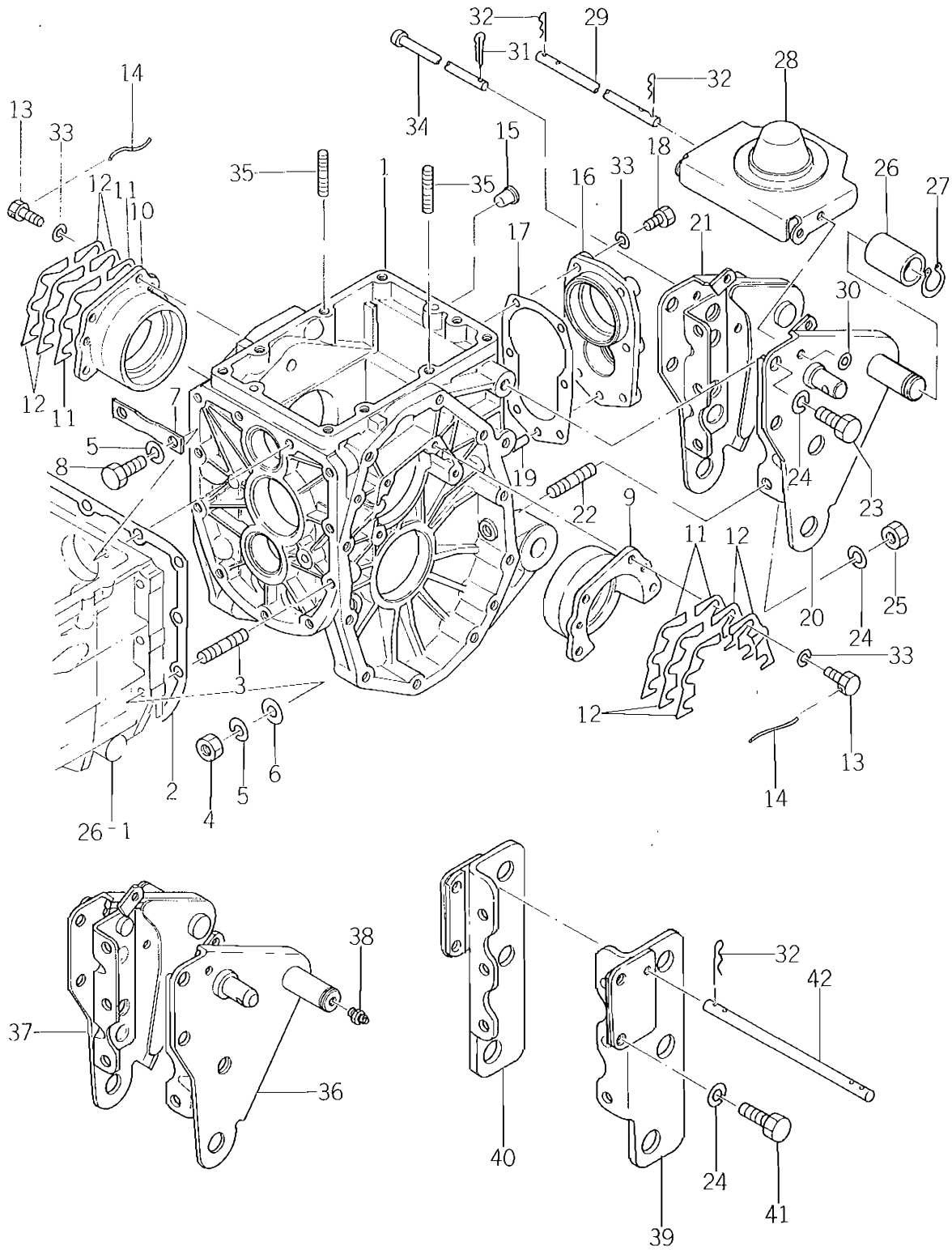


Ref No. Réf No.	Parts No. Pièces No.	Description Désignation	Model & Q'ty Modél & Quant				Remarks Remarques
			TX 1300	TX 1300 F	TX 1500	TX 1500 F	
27- 1	1427-201-0020-0	CASE, R. T-MISSION 83-81 Carter de pont ar	1	1	1	1	T 1110 82-032 1427-201-0021-0 TX 1300
27- 2	1427-201-0030-0	PACKING/PAPER Joint de pont ar	1	1	1	1	2WD # 103732 4WD # 16503
27- 3	V252-261-0036-0	STUD/M10×36 Goujon	9	9	9	9	
27- 4	V303-260-0100-0	NUT/M10 Erou	9	9	9	9	
27- 5	V401-160-0100-0	WASHER, SP/M10 Rondelle frein	11	11	11	11	
27- 6	V413-160-0100-0	WASHER/M10 Rondelle	11	11	11	11	
27- 7	1427-201-0040-0	WASHER, LOCK Bande d'arret	1	1	1	1	
27- 8	V201-261-0035-0	BOLT/M10×35 Vis	2	2	2	2	
27- 9	1427-201-0120-0	METAL, DIFF-CASE LH Palier g de différentiel	1	1	1	1	
27-10	1427-201-0130-0	METAL, DIFF-CASE RH Palier d de différentiel	1	1	1	1	
27-11	1427-201-0140-0	SHIM, DIFF-METAL (A) Cales d'épaisseur	AR	AR	AR	AR	
27-12	1427-201-0150-0	SHIM, DIFF-METAL (B) Cales d'épaisseur	AR	AR	AR	AR	
27-13	1427-201-0170-0	BOLT/M8×25 Vis	8	8	8	8	
27-14	V590-130-9180-0	WIRE/0.9×180 Fil	4	4	4	4	
27-15	1427-201-0160-0	CAP, BLANK/M12 Fausset	5	5	5	5	
27-16	1427-201-0180-0	METAL, PTO SHAFT Palier	1	1	1	1	
27-17	1427-201-0190-0	PACKING/PAPER Palier d'arbre de prise	1	1	1	1	
27-18	V201-260-8025-0	BOLT/M8×25 Vis	6	6	6	6	
27-19	V521-100-8016-0	PIN, STRAIGHT (B)/8×16 Goupille	1	1	1	1	
27-20	1427-201-2003-0	BRACKET, 2P LH Support 2p g	1	1	1	1	} for E40, 41, 42, 43, 50, 51, 52
27-21	1427-201-2103-0	BRACKET, 2P RH Support 2p d	1	1	1	1	
27-22	V251-261-2025-0	BOLT, STUD/M12×25 Goujon	2	2	2	2	
27-23	V201-261-2030-0	BOLT/M12×30 Vis	8	8	8	8	4 used for E20, 21, 22
27-24	V401-160-0120-0	WASHER, SP/M12 Rondelle frein	10	10	10	10	
27-25	V303-260-0120-0	NUT/M12 Erou	2	2	2	2	
27-26	1427-201-0090-0	BUSH/25×34×48 Cousinet	2	2	2	2	
27-27	V704-140-0250-0	RING, SNAP/C-TYPE 25 Collet d'axe	2	2	2	2	
X 27-28	1427-201-2301-0 1427-218-0010-0	COVER, JOINT Chapeau de prise	1	1	1	1	Ⓐ P.INFO. MARCH. 13/81
27-29	1427-201-0110-0	PIN, STRAIGHT/8×220 Tringle	1	1	1	1	
27-30	V413-160-0080-0	WASHER/M8 Rondelle	1	1	1	1	
27-31	V500-152-5020-0	PIN, SPLIT/2.5×20 Goupille fendue	1	1	1	1	
27-32	1305-241-0010-0	PIN, HAIR Attache beta	2	2	2	2	4 used for E20, 21, 22
27-33	V401-160-0080-0	WASHER, SP/M8 Rondelle frein	14	14	14	14	
27-34	1427-201-0210-0	PIN, HEADED/8×212 Goupille	1	1	1	1	
27-35	V252-261-0030-0	BOLT, STUD/M10×30 Vis	2	2	2	2	
27-36	1427-218-2000-0	BRACKET, 2P LH Support 2p g	1	1	1	1	} for E10, 11, 12
27-37	1427-218-2100-0	BRACKET, 2P RH Support 2p d	1	1	1	1	
27-38	V763-400-0000-0	NIPPLE, GREASE	2	2	2	2	

Fig. 27

REAR TRANSMISSION CASE SYSTEM

Boite de vitesses ar

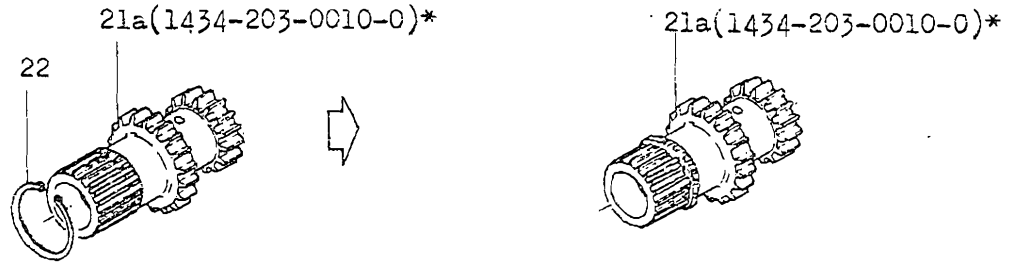


Applicable Parts Catalogue (Book No.)
 TX1300 1500
 (No.1400-098-0021-0)

Subject:
 Modified GEAR, COUNTER

Inf. No. 81-01 (3/7)
 Date issued
 MAR. 13, 1981

No.	Page	Ref. No.	Old			New			I T C	Applicable model
			Parts No.	Description	Q'ty	Parts No.	Description	Q'ty		
1.	74	28-22	V704-140-0400-0	RING, SNAP/C-TYPE 40	1				(D)	



Applicable parts with specified chassis numbers : TX1300 #103560- TX1500 #104280-
 TX1300F #015224- TX1500F #009685-

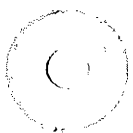
*Note : There is a slight change of actual part, but part number remain the same.

ht

ITC (Interchangeability) (A) : Old New (B) : Old New (C) : Old New (D) : Abolished (E) : Newly included

AT8002990

ISEKI & CO., LTD. Foreign Affairs Division.

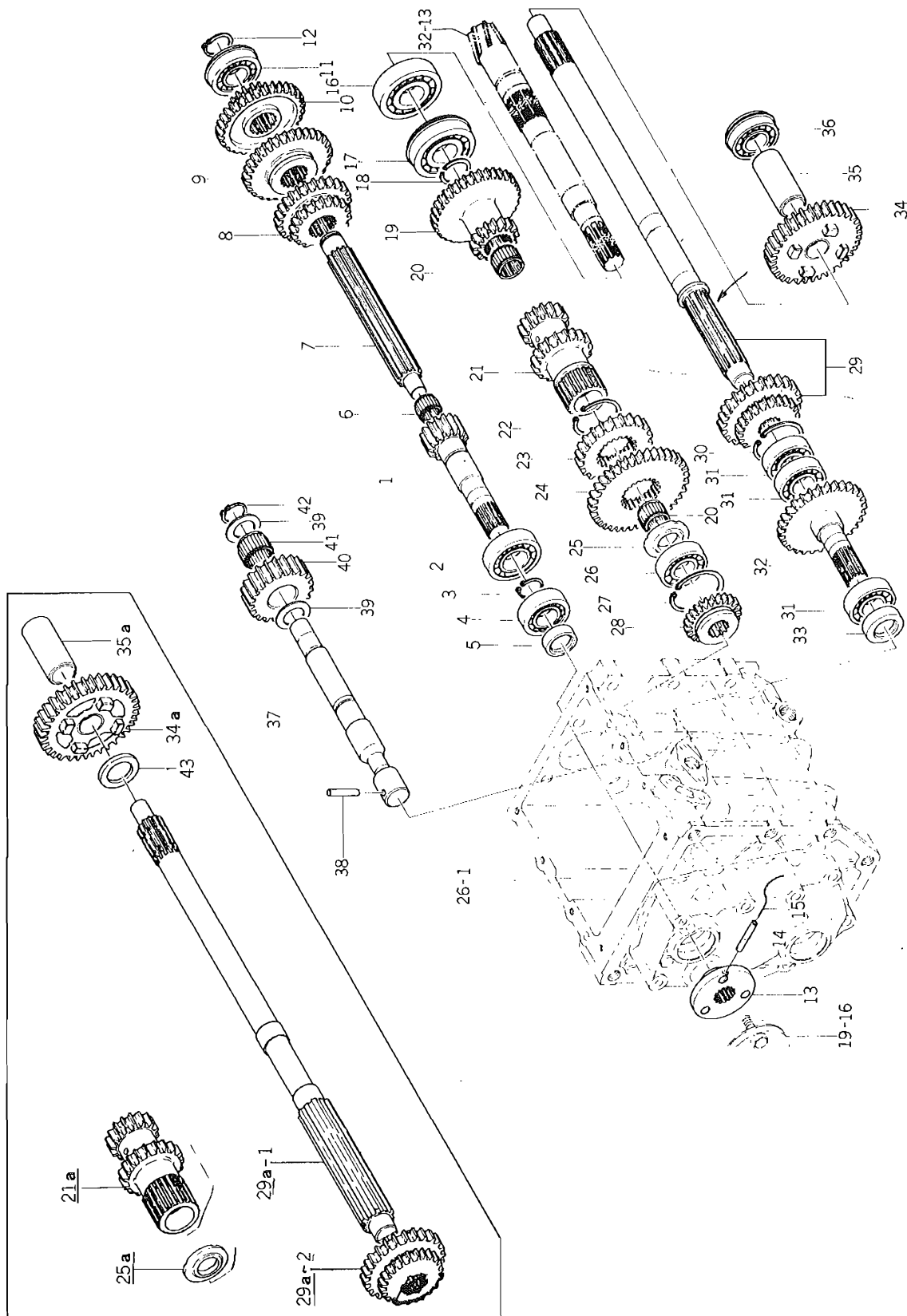


Ref N ^o .	Parts No.	Description	Model & Q'ty				Remarks
			Modél & Quant				
Réf N ^o .	Pièces No.	Désignation	TX 1300	TX 1300 F	TX 1500	TX 1500 F	Remarques
27-39	1427-219-2000-0	BRACKET, LH Support g.	1	1	1	1	for E20, 21, 22
27-40	1427-219-2100-0	BRACKET, RH Support d.	1	1	1	1	
27-41	V201-261-2035-0	BOLT/M12×35 Vis	4	4	1	1	
27-42	1427-219-0010-0	PIN/8×213 Goupille	1	1	1	1	

Fig. 28

FRONT TRANSMISSION GEAR SYSTEM

Arbres et demultiplicateur

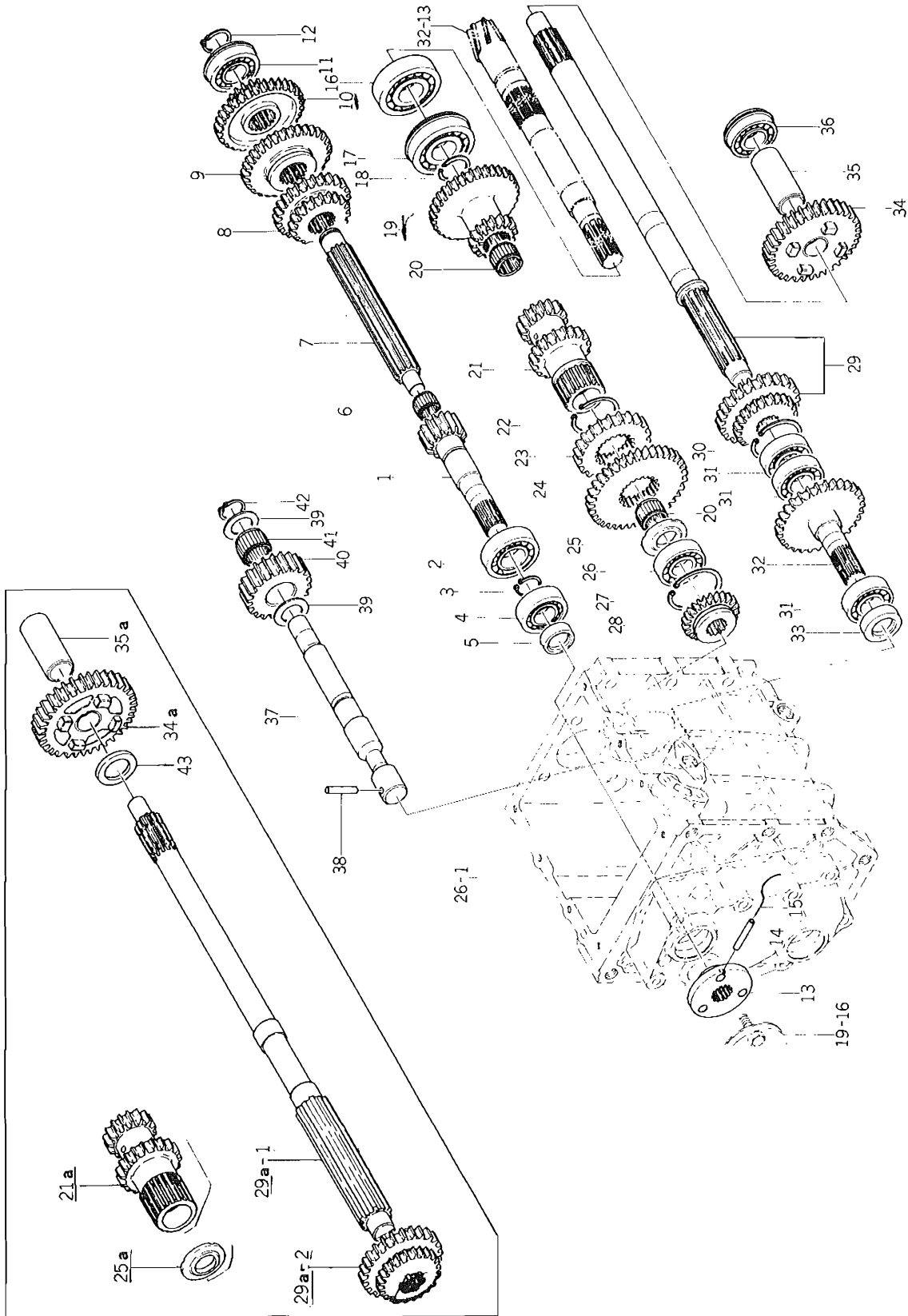


Ref No. Réf No.	Parts No. Pièces No.	Description Désignation	Model & Q'ty Modél & Quant				Remarks Remarques
			TX 1300	TX 1300F	TX 1500	TX 1500F	
28- 1	1427-202-0010-0	GEAR, INPUT/13T Pignon d'entree	1	1	1	1	Ⓐ
28- 2	V606-110-525-0 V600-110-5205-0	BEARING, RB/5205 Roulement	1	1	1	1	
28- 3	V704-140-0250-0	RING, SNAP/C-TYPE 25 Collet d'axe	1	1	1	1	
28- 4	V600-110-6204-0	BEARING, RB/6204 Roulement	1	1	1	1	
28- 5	V744-120-3508-0	SEAL, OIL/TC20358 Joint a levres	1	1	1	1	
28- 6	V654-416-2017-0	BEARING/KT162017 Roulement a aiguilles	1	1	1	1	
28- 7	1427-202-0020-0	SHAFT, CHANGE Arbre primaire	1	1	1	1	
28- 8	1427-202-0030-0	GEAR, HIGH/21-27T Baladeur etage	1	1	1	1	
28- 9	1427-202-0040-0	GEAR, LOW/32T Baladeur	1	1	1	1	
28-10	1427-202-0050-0	GEAR, SUB/15-33T Baladeur etage	1	1	1	1	
28-11	V607-110-6204-0	BEARING, RB/6204NR Roulement protege	1	1	1	1	
28-12	V704-140-0200-0	RING, SNAP/C-TYPE 20 Collet d'axe	1	1	1	1	
28-13	1427-202-0060-0	FLANGE Accouplement	1	1	1	1	
28-14	V580-140-5032-0	PIN, SPRING/5×32 W Goupille elastique	1	1	1	1	
28-15		WIRE/0.9×100 Fil	1	1	1	1	
28-16	1427-203-0080-0	BEARING, RB/6305-6 Roulement	1	1	1	1	
28-17	1427-203-0090-0	BEARING, RB/6305-6NR Roulement	1	1	1	1	
28-18	1427-203-0020-0	RING, SNAP/25 Collet d'axe	1	1	1	1	
28-19	1427-203-0031-0	GEAR, COUNTER/16-33T Pignon etage	1	1	1	1	
28-20	V654-422-2726-0	BEARING, NR/KT222726 Roulement	2	2	2	2	
28-21	1427-203-0043-0	GEAR, COUNTER/16-21T Pignon etage	1	1	1	1	
28-21a	1434-203-0010-0	GEAR, COUNTER/16-21T Pignon etage	1	1	1	1	
28-22	V704-140-0400-0	RING, SNAP/C-TYPE 40 Collet d'axe	1	1	1	1	* Ⓒ Ⓓ PARTS INFO MAR 13, 81
28-23	1427-203-0050-0	GEAR, COUNTER/27T Roue de transmission	1	1	1	1	* Ⓒ Copies: Glas Tongren Tx 55 - 7/11/85 (1434-211-0020-0) 22-28T ↓ TX 1300 103076 ~ TX 1300F 12737 ~ TX 1500 103687 ~ TX 1500F 6360 ~ → Remark 10/11/97 → see copy part. 1434-211-002-00 was 23-28T is now 22-28T ⇒ check size set-up. (give, 11010) 1427-211-210-0
28-24	1427-203-0060-0	GEAR, COUNTER/35T Roue de transmission	1	1	1	1	
28-25	1427-203-0070-0	COLLAR, THRUST Bague d'appui	1	1	1	1	
28-25a	1434-203-0020-0	COLLAR, THRUST Bague d'appui	1	1	1	1	
28-26	V600-110-6204-0	BEARING, RB/6204 Roulement	1	1	1	1	
28-27	V705-140-0470-0	RING, SNAP/C-TYPE 47 Collet d'axe	1	1	1	1	
28-28	1427-205-0010-0	GEAR, CHANGE/19T Pignon	1	1	1	1	
28-28-1	1429-205-0010-0	GEAR, CHANGE/20T Pignon	1	1	1	1	
28-29	1427-211-2100-0	GEAR, SET, PTO DRIVE Pignon	1	1	1	1	
28-29a-1	1434-211-0010-0	SHAFT, PTO DRIVE Arbre	1	1	1	1	
28-29a-2	1434-211-0020-0	GEAR, PTO/23-28T Pignon	1	1	1	1	
28-30	V705-140-0470-0	RING, SNAP/C-TYPE 47 Collet d'axe	1	1	1	1	
28-31	V600-110-6204-0	BEARING, RB/6204 Roulement	1	3	1	3	
28-32	1427-205-2000-0	SHAFT, MID PTO Arbre intermediaire de prise	1	1	1	1	
28-33	V744-120-3508-0	SEAL, OIL/TC20358 Joint a levres	1	1	1	1	

Fig. 28

FRONT TRANSMISSION GEAR SYSTEM

Arbres et demultiplicateur



FARM MACHINERY & EQUIPMENT

ISEKI & CO., LTD.

3-14 Nishi-Nippori 5-chome, Arakawa-ku, Tokyo, 116 JAPAN
TEL No. (03) 5604-7668 FAX NO. (03) 5604-7703

REF. NO. 4413

DATE : 1997/11/18

FAX TO. : N.V. ISEKI EUROPE S.A.

ATTENTION : Mr. B. Mommens

FROM : Naohiro Toga

NO. OF PAGES : 1
(INCLUDING THIS PAGE)

SUBJECT : Reply of your fax No. BM/LD 628 & 629

Good morning, Bart !

We would like to inform you of your inquiring in order.

(1) GEAR, PTO for TX1300.

We asked our technical section and confirmed the gear that MOTRAC need had not been available because the serial No.5180 is so old model tractor that we had finished producing long time ago.

However, instead of MOTORAC' requiring, we can supplied you following set item.

<u>Parts Code</u>	<u>Description</u>	<u>Price</u>	<u>Av alibility</u>
1427-211-210-00	GEAR, PTO SET	¥15,500	4 pcs in EFE DEPOT

Next, regarding to the gear of 1434-211-002-00, we confirmed this part had been suitable for TX1300M, the current tractor model.

(2) The parts code of bar between two arms of 3-point linkage

We checked it in our domestic parts catalogue for TF317, 321 and found following items

<u>Parts Code</u>	<u>Description</u>	<u>Price</u>	<u>Avialibility</u>
1427-512-200-00	BAR, TOOL	¥8,600	Out of stock

We also inform you, the delivery time of the above mentined parts, it takes 20~30 days after receiving distributor's order sheet.

Please note those two matters and understand them.

Thanks in advance.

Good night !

Best Regards,

N. Toga

P.S. We are awaiting our reply for availability of COVER, CLUTCH/225

TO: NIGEL H

TELETYPE
(18/11/97)
11:00
VSH, Van Hoes

Ⓜ

26250 iseki b

no. 63 sep. 25 1985
attn: mr. p. brunel
re: tx 2-cylinders, p/n 1427-211-2100-0 vdr

there has not been a techn. info. and a parts info on this matter, there are three combination of pto drive gear set, each set was fitted to :

pto drive gear set (1427-211-2100-0) pto gear (23-28t)	pto drive gear set (1427-211-2100-0) pto gear (22-28t)	there is no set code pto gear (22-28t) 1434-211-0020-0
drive shaft -involute spline-	drive shaft (same as left) -involute spline-	drive shaft 1434-211-0010-0 -parallel(square)spline-
tx1500f up to 006165	from 006166 to 006959	from 006960
tx1500 up to 103576	from 103577 to 103684	from 103687
tx1300f up to 012004	from 012005 to 012736	from 012737
tx1300 up to 102975	from 102976 to 103075	from 103076
reason	for reinforcement	for part standardization with tx3-cylinders

there are two kind of pto gear in pto drive gear set (1427-211-2100-0). one is 23-28t gear. another is 22-28t gear. 23-28t gear is old. 22-28t is modified part.

when the importers/dealers have to fit pto gear set, pls use 22-28t gear or pls change to parallel(square) spline parts as follows:

- (1) pto drive shaft : 1434-211-0010-0
- (2) pto gear/22-28t : 1434-211-0020-0
- (3) collar/26x36x3 : 1434-211-0040-0
- (4) pto gear/34t : 1434-211-2000-0
- (5) pipe/57 : 1434-211-0030-0
- (6) counter gear/16-21t : 1434-203-0010-0
- (7) thrust collar : 1434-203-0020-0

pls refer to the parts catalogue (1400-093-0021-0) page 73.

brgds
yana

Ⓜ

26250 iseki b

5842265 isekim i

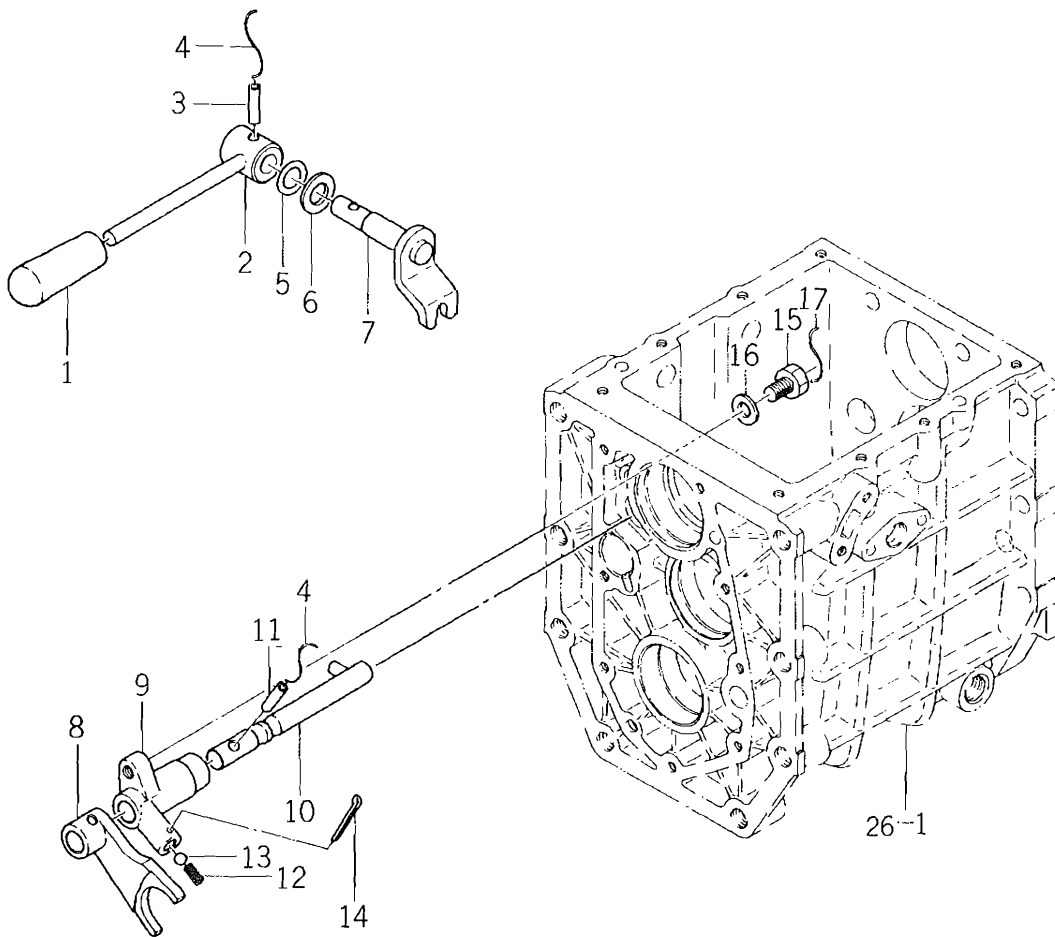


Ref No. Réf No.	Parts No. Pièces No.	Description Désignation	Model & Q'ty Modél & Quant				Remarks Remarques
			TX 1300	TX 1300 F	TX 1500	TX 1500 F	
28-34	1427-211-2001-0	GEAR, PTO Pignon (prise force)	1	1	1	1	
28-34a	1434-211-2000-0	GEAR, PTO/34T Pignon (prise force)	1	1	1	1	* ©
28-35	1427-211-0030-0	PIPE/58 Tube	1	1	1	1	
28-35a	1434-211-0030-0	PIPE/57 Tube	1	1	1	1	* ©
28-36	V607-110-6205-0	BEARING, RB/6205NR Roulement protege	1	1	1	1	
28-37	1427-204-0020-0	PIN, BACK GEAR Arbre de marhe ar	1	1	1	1	
28-38	V580-140-6032-0	PIN, SPRING/6×32 W Goupille elastique	1	1	1	1	
28-39	1427-204-0030-0	COLLAR, THRUST/23×34×2 Rondelle d'appui	2	2	2	2	
28-40	1427-204-0010-0	GEAR, BACK/23T Pignon de marche arriere	1	1	1	1	
28-41	V653-622-2820-0	BEARING, NR/TLA2220 Roulement a aiguilles	1	1	1	1	
28-42	V704-140-0220-0	RING, SNAP/C-TYPE 22 Collet d'axe	1	1	1	1	
28-43	1434-211-0040-0	COLLAR/26×36×3 Rondelle	1	1	1	1	* ©

1300 NO. 103076 ~
1300F NO. 012737 ~
* 1500 NO. 103687 ~
1500F NO. 006960 ~

Fig. 29

SHIFTING SYSTEM
Mecanisme de changement

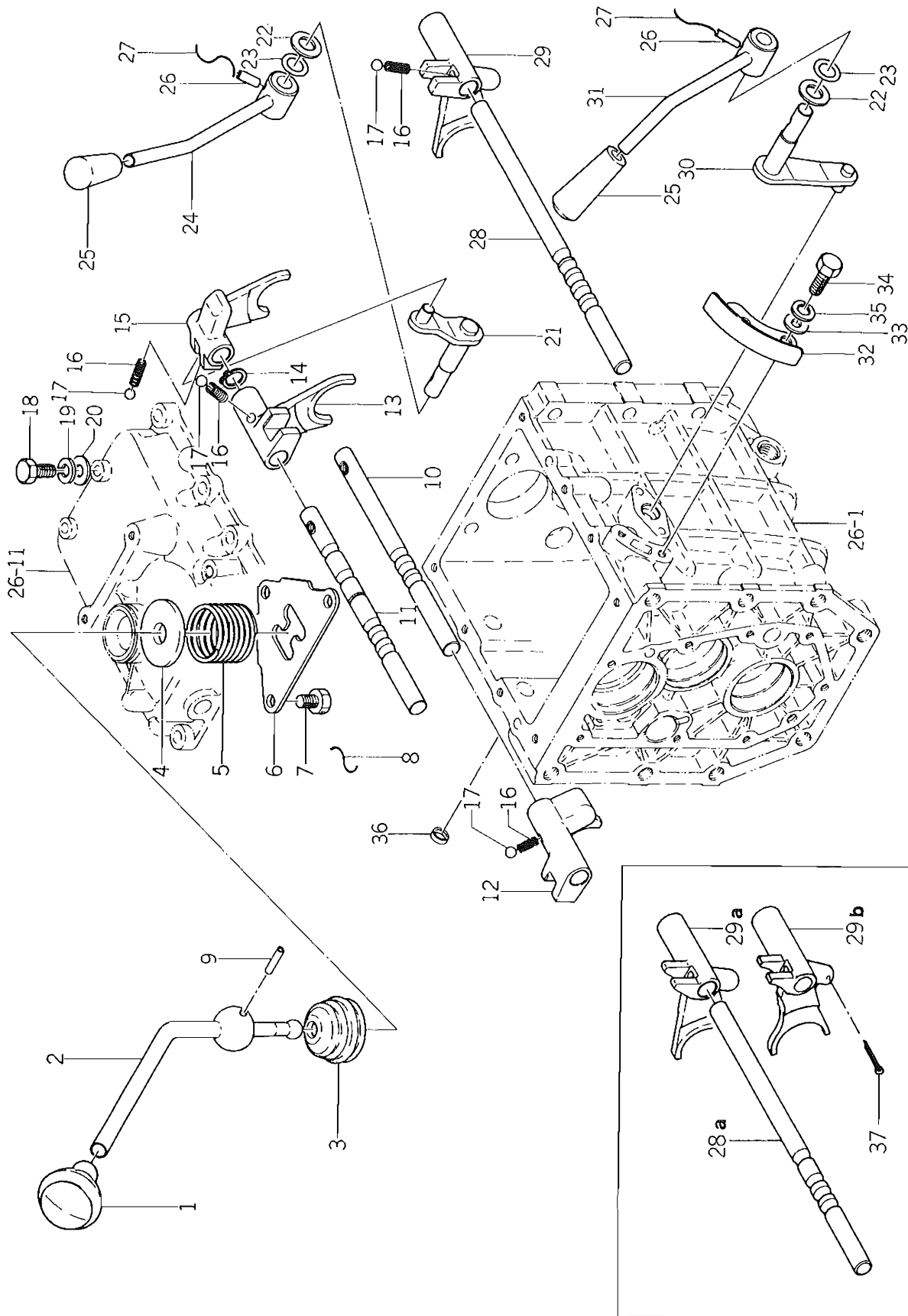


Ref N ^o .	Parts No.	Description	Model & Q'ty				Remarks
			Modél & Quant				
Ref N ^o .	Pièces No.	Désignation	TX 1300	TX 1300 F	TX 1500	TX 1500 F	Remarques
X29- 1	1101-230-0010-0 4106-105-3030-0	GRIP KNOB Poignée		1		1	(A) info no. 82-02 (6/6) March 31, '02
29- 2	1427-209-2100-0	LEVER, F. SHIFT Selecteur de pont av		1		1	
29- 3	V580-140-5025-0	PIN, SPRING/5×25 W Goupille elastique		1		1	
29- 4		WIRE/0.9×70 Fil		1		1	
29- 5	V720-102-4014-0	O-RING/P14 Joint torique		1		1	
X29- 6	1491-601-0030-0 V410-160-0140-0	WASHER/M14 W/ASHER/15X24X2 Rondelle		1		1	(A) " " " "
29- 7	1427-209-2000-0	ARM, SHIFT Levier de commande de pont av		1		1	
29- 8	1427-210-0080-0	SHIFTER, F. CHANGE Fourchette de pont av		1		1	
29- 9	1427-210-0090-0	CASE, SPRING Coulisseau de verrouillage		1		1	
29-10	1427-210-2000-0	STAY, SHIFTER Guide fourchette		1		1	
29-11	V580-140-5020-0	PIN, SPRING/5×20 W Goupille elastique		1		1	
29-12	1302-225-0030-0	SPRING, SHIFTER Ressort de fourchette		1		1	
29-13	V680-200-0010-0	BALL, STEEL / 5/16" Bille de verrouillage		1		1	
29-14	V500-152-0018-0	PIN, SPLIT/2×18 Goupille fendue		1		1	
29-15	1427-210-0110-0	BOLT/M8×30 Vis		1		1	
29-16	V413-160-0080-0	WASHER/M8 Rondelle		1		1	
29-17		WIRE/0.9×100 Fil		1		1	

Fig. 30

SHIFTING SYSTEM (FRONT WHEEL DRIVE)

Mechanisme de changement

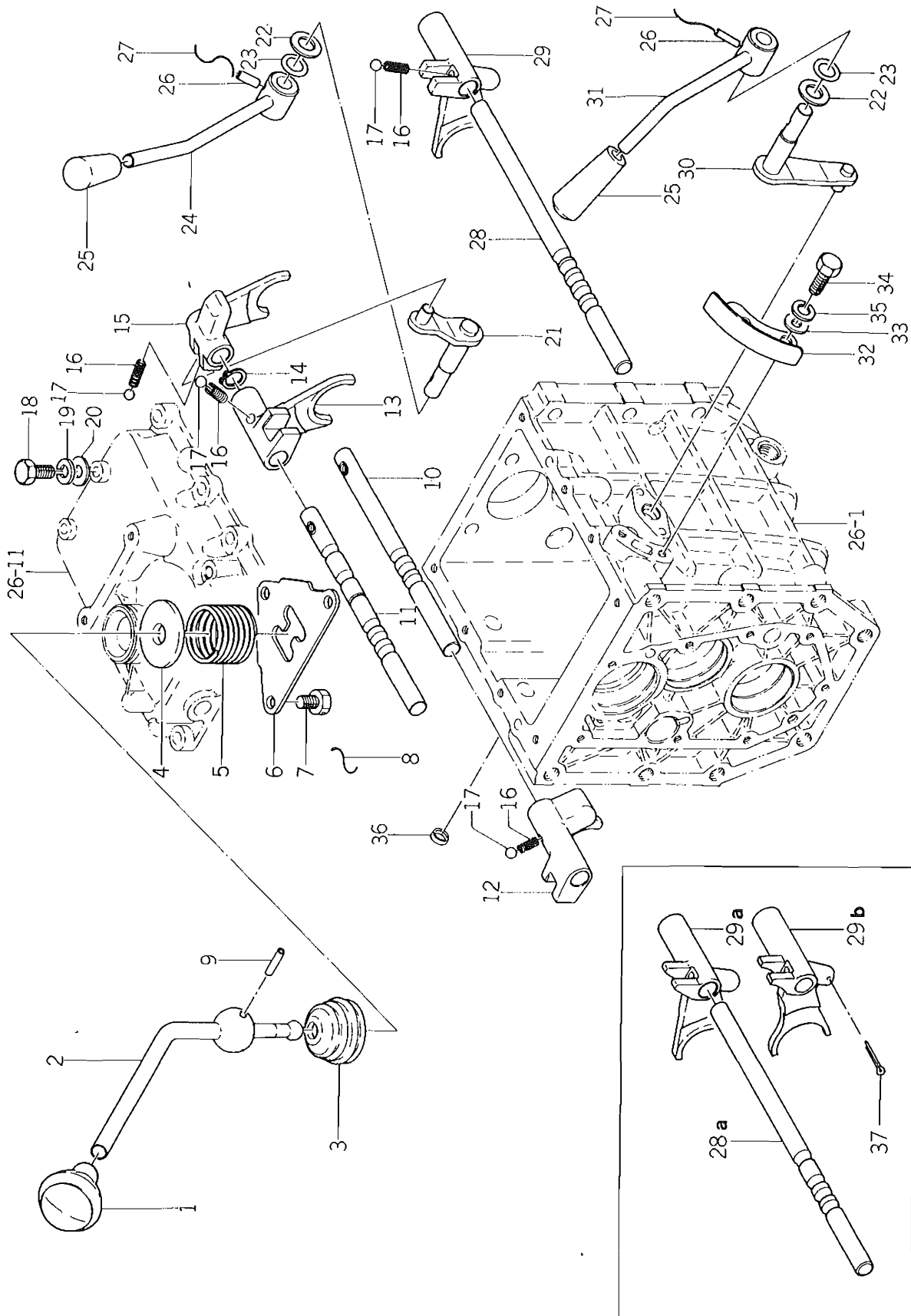


Ref No. Réf No.	Parts No. Pièces No.	Description Désignation	Model & Q'ty Modél & Quant				Remarks Remarques
			TX 1300	TX 1300 F	TX 1500	TX 1500 F	
30- 1	1414-207-0050-0	KNOB, LEVER Pommeau	1	1	1	1	
30- 2	1427-207-0030-0	LEVER, MAIN SHIFT Lever de changement	1	1	1	1	
30- 3	1403-207-0010-0	BOOT, SHIFT LEVER Cupule de rotule	1	1	1	1	
30- 4	1427-207-0050-0	HOLDER, SPRING Cuvette de ressort	1	1	1	1	
30- 5	1427-207-0040-0	SPRING, PRESS/30) Ressort	1	1	1	1	
30- 6	1427-207-0060-0	GUIDE, SHIFT LEVER Grille de vitesses	1	1	1	1	
30- 7	1427-207-0070-0	BOLT/M8×16 Vis	3	3	3	3	
30- 8		WIRE/0.9×450 Fil	1	1	1	1	
30- 9	V580-140-5040-0	PIN, SPRING/5×40 W Goupille elastique	1	1	1	1	
30-10	1427-210-0020-0	STAY, LOW SHIFTER Guide fourchette	1	1	1	1	
30-11	1427-210-0061-0	STAY, HIGH SHIFTER Guide fourchette	1	1	1	1	
30-12	1427-210-0010-0	SHIFTER, LOW Fourchette (rapports lents)	1	1	1	1	
30-13	1427-210-0050-0	SHIFTER, HIGH Fourchette (hauts rapports)	1	1	1	1	
30-14	V704-140-0140-0	RING, SNAP/C-TYPE 14 Collet d'axe	1	1	1	1	
30-15	1427-210-0070-0	SHIFTER, SUB Fourchette de subdivision	1	1	1	1	
30-16	1302-225-0030-0	SPRING, SHIFTER Ressort de fourchette	4	4	4	4	
30-17	V680-200-0010-0	BALL, STEEL / 5/16" Bille de verrouillage	4	4	4	4	
30-18	1427-210-0030-0	BOLT Vis	2	2	2	2	
30-19	V401-160-0080-0	WASHER, SP/M8 Rondelle frein	2	2	2	2	
30-20	V413-160-0080-0	WASHER/M8 Rondelle	2	2	2	2	
30-21	1427-208-2000-0	ARM, SUB SHIFT Doigt de subdivision	1	1	1	1	
30-22	V410-160-0140-0	WASHER/14 Rondelle	2	2	2	2	
30-23	V720-102-4014-0	O-RING/P14 Joint torique	2	2	2	2	
30-24	1427-208-2100-0	LEVER, SUB Lever de transfert	1	1	1	1	
X30-25	2101-230-0010-0 4106-105-3030-0	GRIP KNOB Poignée	2	2	2	2	(A) info no. 82-02 (6/6) March 31, '82
30-26	V580-140-5025-0	PIN, SPRING/5×25 Goupille elastique	2	2	2	2	
30-27		WIRE/0.9×70 Fil	3	3	3	3	
30-28	1427-216-0020-0	STAY, PTO SHIFTER Appui	1	1	1	1	{ 1300 NO. 103195- 1300F NO. 013403- 1500 NO. 103687- 1500F NO. 006960-
30-28a	1434-216-0020-0	STAY, PTO SHIFTER Appui	1	1	1	1	
30-29	1427-216-0010-0	SHIFTER, PTO Fourchette	1	1	1	1	
30-29a	1434-216-0010-0	SHIFTER, PTO Fourchette	1	1	1	1	
30-29b	1434-216-0011-0	SHIFTER, PTO Fourchette	1	1	1	1	{ 1300 NO. 103195-103530 1300F NO. 013403-014997 1500 NO. 103687-104279 1500F NO. 006960-009394
30-30	1427-216-2000-0	ARM, PTO SHIFT Bras	1	1	1	1	
30-31	1427-216-2100-0	LEVER, PTO Lever	1	1	1	1	
30-32	1427-216-0031-0	GUIDE, SHIFT LEVER Grille de vitesses	1	1	1	1	
30-33	V413-160-0080-0	WASHER/M8 Rondelle	2	2	2	2	{ 1300 NO. 103531- 1300F NO. 014998- 1500 NO. 104280- 1500F NO. 009395-

Fig. 30

SHIFTING SYSTEM (FRONT WHEEL DRIVE)

Mechanisme de changement

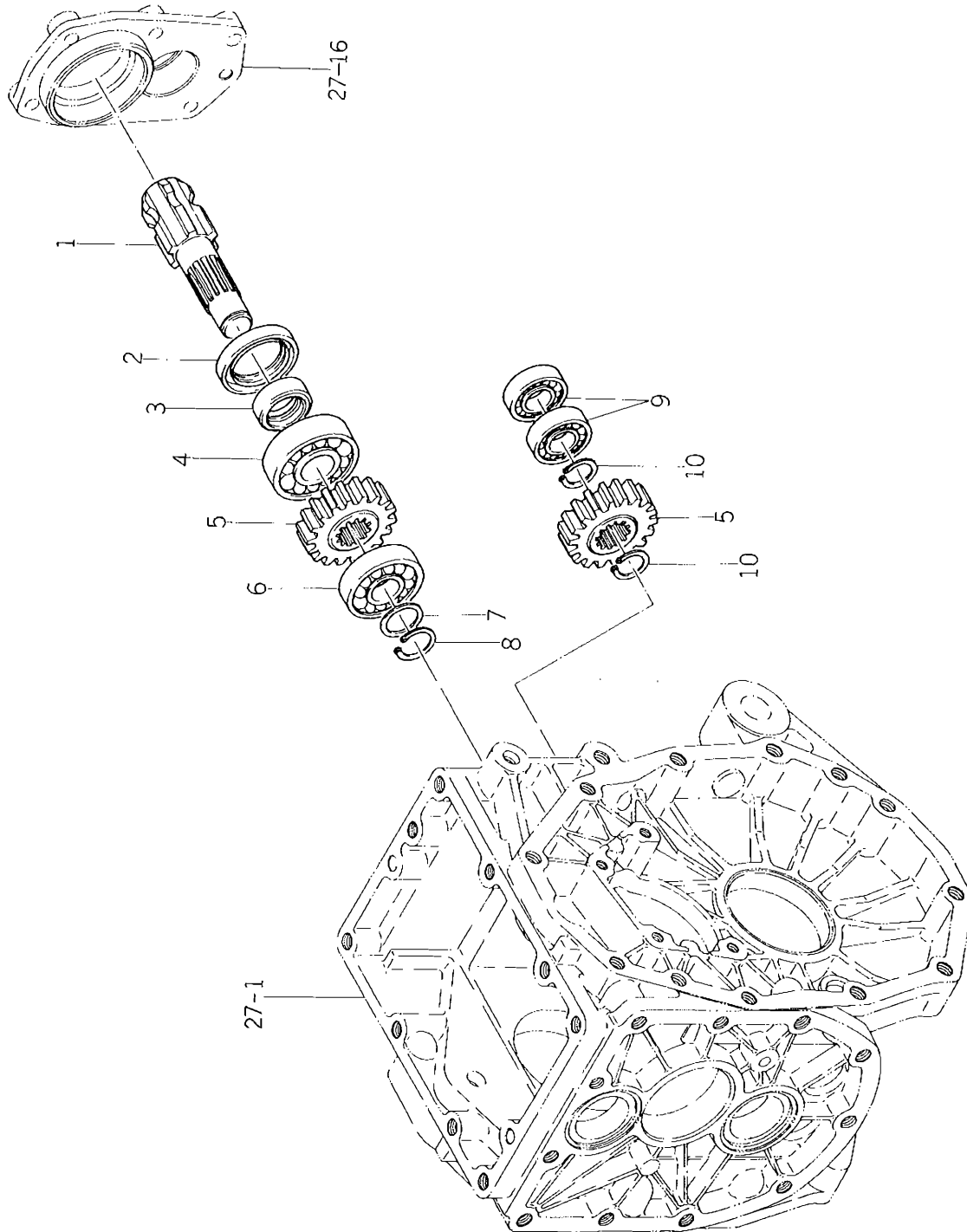


Ref N ^o .	Parts No.	Description	Model & Q'ty				Remarks
			TX 1300	TX 1300F	TX 1500	TX 1500F	
Réf N ^o .	Pièces No.	Désignation					Remarques
30-34	V201-260-8016-0	BOLT/M8×16 Vis	2	2	2	2	
30-35	V401-160-0080-0	WASHER, SP/M8 Rondelle frein	2	2	2	2	
30-36	1427-210-0040-0	CAP, BLANK/14×4 Fausset	1		1		[1300 NO. 103531- 1300F NO. 014998- 1500 NO. 104280- 1500F NO. 009395-
30-37	V500-152-5025-0	PIN, SPLIT/2.5×25 Goupille fendue	1	1	1	1	

Fig. 31

P. T. O. SHAFT SYSTEM

Arbre de prise de force

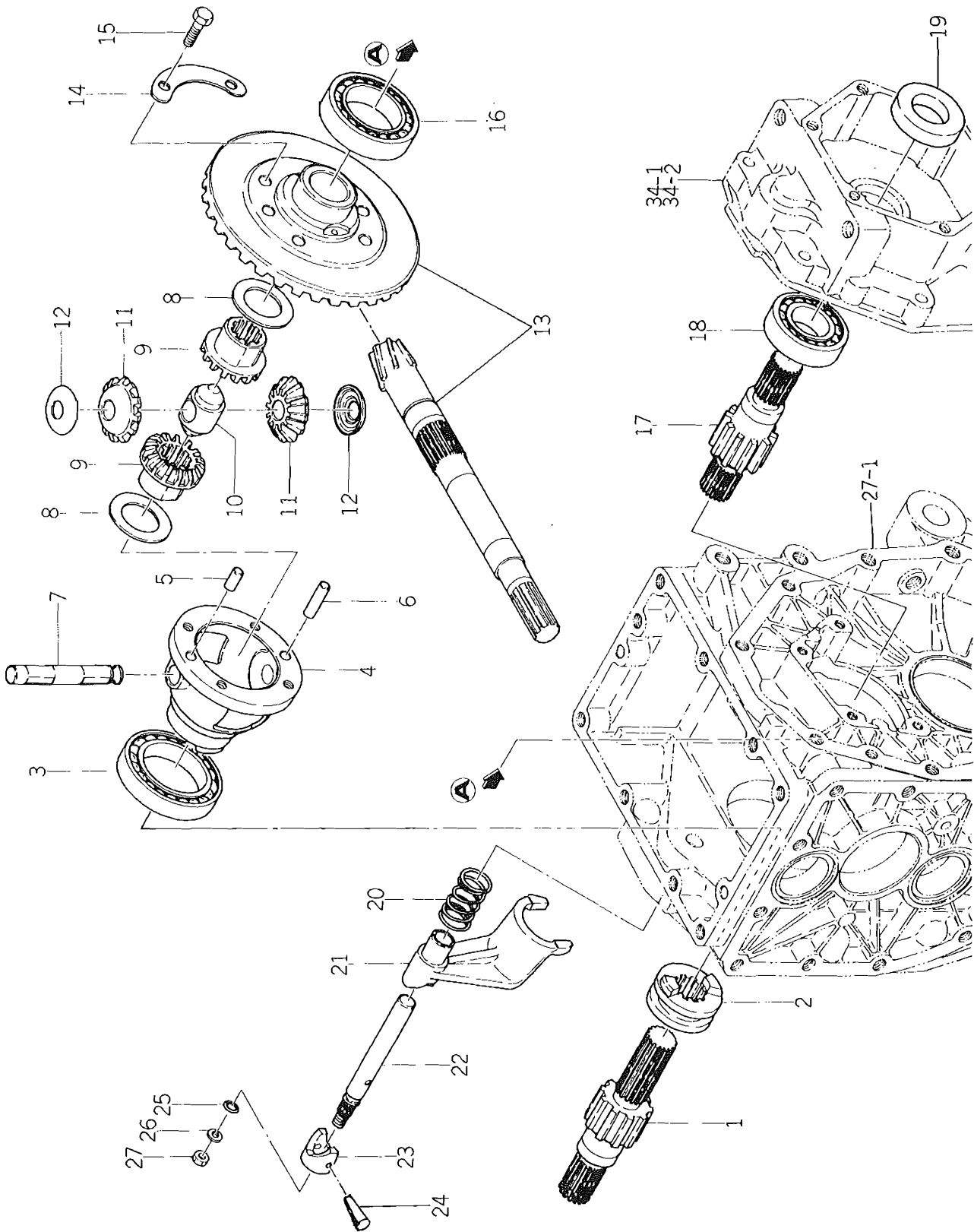


Ref N ^o .	Parts No.	Description	Model & Q'ty				Remarks
			Model & Quant				
Réf N ^o .	Pièces No.	Désignation	TX 1300	TX 1300 F	TX 1500	TX 1500 F	Remarques
31- 1	1427-212-0010-0	SHAFT, PTO Arbre de prise de force	1	1	1	1	
31- 2	V744-135-5508-0	SEAL, OIL/TC35558 Joint a levres	1	1	1	1	
31- 3	1427-212-0030-0	SLEEVE Manchon	1	1	1	1	
31- 4	1427-203-0080-0	BEARING, RB/6305-6 Roulement	1	1	1	1	
31- 5	1427-211-0040-0	GEAR, PTO COUNTER/19T Pignon de prise de force (19d)	2	2	2	2	
31- 6	V600-110-6304-0	BEARING, RB/6304 MR Roulement	1	1	1	1	TX 1300 2WD # 163732 (83-81) 4WD # 16509
31- 7	1427-212-0020-0	WASHER/20x28x2 Rondelle	1	1	1	1	
31- 8	V704-140-0200-0	RING, SNAP/C20 Collet d'axe	1	1	1	1	
31- 9	V600-110-6203-0	BEARING, RB/6203 Roulement	2	2	2	2	
31-10	V704-140-0250-0	RING, SNAP/C25 Collet d'axe	2	2	2	2	

Fig. 32

DIFFERENTIAL GEAR SYSTEM

Commande et blocage du différentiel



Ref No. Réf No.	Parts No. Pièces No.	Description Désignation	Model & Q'ty Modél & Quant				Remarks Remarques
			TX 1300	TX 1300 F	TX 1500	TX 1500 F	
32- 1	1427-301-0120-0	PINION, WHEEL RH/11T Pignon de roue ar d	1	1	1	1	(B) 1427-301-0120-0 13mm
32- 2	1427-301-0131-0	CLUTCH, DIFF-LOCK Crabot directionnel	1	1	1	1	Must be used for assembly Sept 18
32- 3	V600-110-6010-0	BEARING, RB/6010 Roulement	1	1	1	1	
32- 4	1427-301-0021-0	CASE, DIFF Boitier de différentiel	1	1	1	1	
32- 5	V521-100-8016-0	PIN, STRAIGHT (B)/8x16 Pion de centrage	1	1	1	1	
32- 6	V521-100-8030-0	PIN, STRAIGHT (B)/8x30 Pion de centrage	1	1	1	1	
32- 7	1427-301-0030-0	SHAFT, DIFF-PINION Axe des satellites	1	1	1	1	
32- 8	1427-301-0070-0	COLLAR, THRUST/32x48x1 Rondelle d'adui	2	2	2	2	
32- 9	1427-301-0060-0	GEAR, DIFF-SIDE/14T Planétaire	2	2	2	2	
32-10	1427-301-0090-0	HOLDER, PINION SHAFT Noix de différentiel	1	1	1	1	
32-11	1427-301-0040-0	PINION, DIFF/12T Satellite	2	2	2	2	
32-12	1427-301-0050-0	COLLAR, PINION THRUST Coupelle de jeu	2	2	2	2	
32-13	1427-020-2002-0	GEAR, DRIVE SET/7T Pignon d'attache	1	1	1	1	
32-14	1427-301-0080-0	WASHER, LOCK Segment d'arrêt	2	2	2	2	
32-15	V201-460-8025-0	BOLT/M8x25 Vis	4	4	4	4	
32-16	V600-110-6009-0	BEARING, RB/6009 Roulement	1	1	1	1	
32-17	1427-301-0110-0	PINION, WHEEL LH/11T Pignon de roue ar g	1	1	1	1	(B) 1427-301-0110-0 13mm
32-18	V600-110-6206-0	BEARING, RB/6206 Roulement	2	2	2	2	Must be used for assembly
32-19	V744-130-4508-0	SEAL, OIL/TC30458 Joint a levres	2	2	2	2	
32-20	1427-301-0180-0	SPRING, PRESS/40 Ressort de fourchette	1	1	1	1	
32-21	1427-301-0140-0	SHIFTER, DIFF-LOCK Fourchette de crabotage	1	1	1	1	
32-22	1427-301-0151-0	STAT, SHIFTER Guide fourchette	1	1	1	1	
32-23	1427-301-0160-0	CAM, DIFF-LOCK Game de fourchette	1	1	1	1	
32-24	1427-301-0170-0	PIN, SPRING/5x25 Goupille elastique	1	1	1	1	
32-25	V720-102-4010-0	O-RING/P10A Joint torique	1	1	1	1	
32-26	V401-160-0100-0	WASHER, SP/M10 Rondelle frein	1	1	1	1	
X 32-27	V300-260-0100-0 V303-260-0100-0	NUT/M10 Ecrrou	1	1	1	1	(B) P. INFO. MAR. 13/81

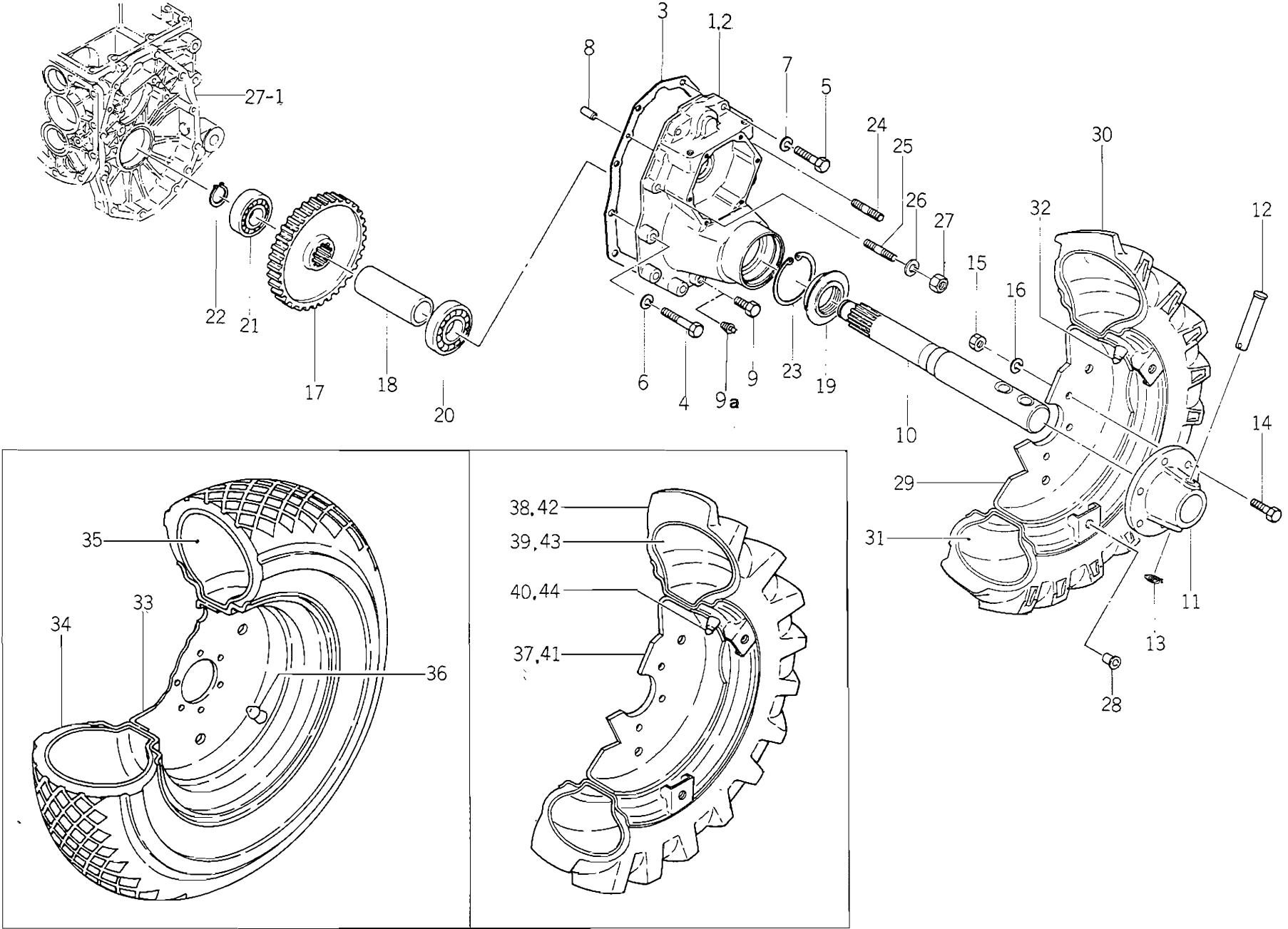


Fig. 34 REAR AXLE SYSTEM
Arbre arriere avec portique

Ref No. Réf No.	Parts No. Pièces No.	Description Désignation	Model & Q'ty Modél & Quant				Remarks Remarques
			TX 1300	TX 1300 F	TX 1500	TX 1500 F	
34- 1	1427-306-0010-0	HOUSING, R. AXLE LH Carter de reducteur g	1	1	1	1	
34- 2	1427-306-0020-0	HOUSING, R. AXLE RH Carter de reducteur d	1	1	1	1	
34- 3	1427-306-0030-0	PACKING/PAPER Joint de carter	2	2	2	2	
34- 4	V201-261-2050-0	BOLT/M12×50 Vis	12	12	12	12	
34- 5	V201-261-0045-0	BOLT/M10×45 Vis	4	4	4	4	
34- 6	V401-160-0120-0	WASHER, SP/M12 Rondelle frein	12	12	12	12	
34- 7	V401-160-0100-0	WASHER, SP/M10 Rondelle frein	4	4	4	4	
34- 8	V521-100-8016-0	PIN, STRAIGHT/8×16 Pion de centrage	4	4	4	4	
34- 9	7955-201-0260-0	PLUG, DRAIN / 1/4 Bouchon de vidange	2	2	2	2	
34- 9a	V781-100-0004-0	PLUG Bouchon de vidange	2	2	2	2	Ⓐ
34-10	1427-307-0010-0	SHAFT, WHEEL Fusse	2	2	2	2	
34-11	1427-317-0010-0	BOSS, WHEEL Moyeu	2	2	2	2	
34-12	1427-317-0020-0	PIN, WHEEL BOSS Goupille de moyeu	2	2	2	2	
34-13	1427-317-0030-0	PIN, CLIP Attache phi	2	2	2	2	
34-14	V201-461-2030-0	BOLT/M12×30 9T Vis	12	12	12	12	
34-15	V300-460-0120-0	NUT/M12 7T Erou	12	12	12	12	
34-16	V401-160-0120-0	WASHER, SP/M12 Rondelle frein	12	12	12	12	
34-17	1427-307-0020-0	GEAR, WHEEL/58T Roue dentee	2	2	2	2	
34-18	1427-307-0030-0	PIPE/123 Manchon	2	2	2	2	
34-19	1427-307-0040-0	SEAL, OIL/48 Joint a levres	2	2	2	2	
34-20	V600-110-6306-0	BEARING, RB/6306 Roulement	2	2	2	2	
34-21	V600-110-6208-0	BEARING, RB/6208 Roulement	2	2	2	2	
34-22	V704-140-0300-0	RING, SNAP/C30 Collet d'axe	2	2	2	2	
34-23	V705-140-0800-0	RING, SNAP/C80 Collet d'axe	2	2	2	2	
X 34-24	V252-261-0032-0 V252-261-0036-0	BOLT, STUD/M10×32 Goujon	2	2	2	2	Ⓐ PARTS INFO MAR 13, 81.
34-25	V252-261-0036-0	BOLT, STUD/M10×36 Goujon	2	2	2	2	
34-26	V401-160-0100-0	WASHER, SP/M10 Rondelle frein	4	4	4	4	
X 34-27	V300-260-0400-0 V303-260-0100-0	NUT/M10 Erou	4	4	4	4	Ⓐ PARTS INFO MAR. 13, 81.
34-28	1427-317-0040-0	CAP, BLANK/M14 Fausset	6	6	6	6	
34- 0-1	1427-336-2100-0	TIRE, LH ASSY Pneu g ensemble	1	1			LOW LUG TIRE SET
34- 0-1-1	1429-331-2100-0	TIRE, LH ASSY Pneu g ensemble			1	1	
34- 0-2	1427-336-2200-0	TIRE, RH ASSY Pneu d ensemble	1	1			
34- 0-2-1	1429-331-2200-0	TIRE, RH ASSY Pneu d ensemble			1	1	
34-29	1427-317-2100-1	·DRUM, WHEEL/5JA×16 Tambour de roue	2	2			
34-29-1	1429-317-2100-1	·DRUM, WHEEL/W6×18 Tambour de roue			2	2	
34-30	V888-240-0816-0	·TIRE/8-16 4PR Pneu	2	2			
34-30-1	V888-240-0818-0	·TIRE/8-18 4PR Pneu			2	2	
34-31	V889-000-0816-0	·TUBE/8-16 Chambre	2	2			

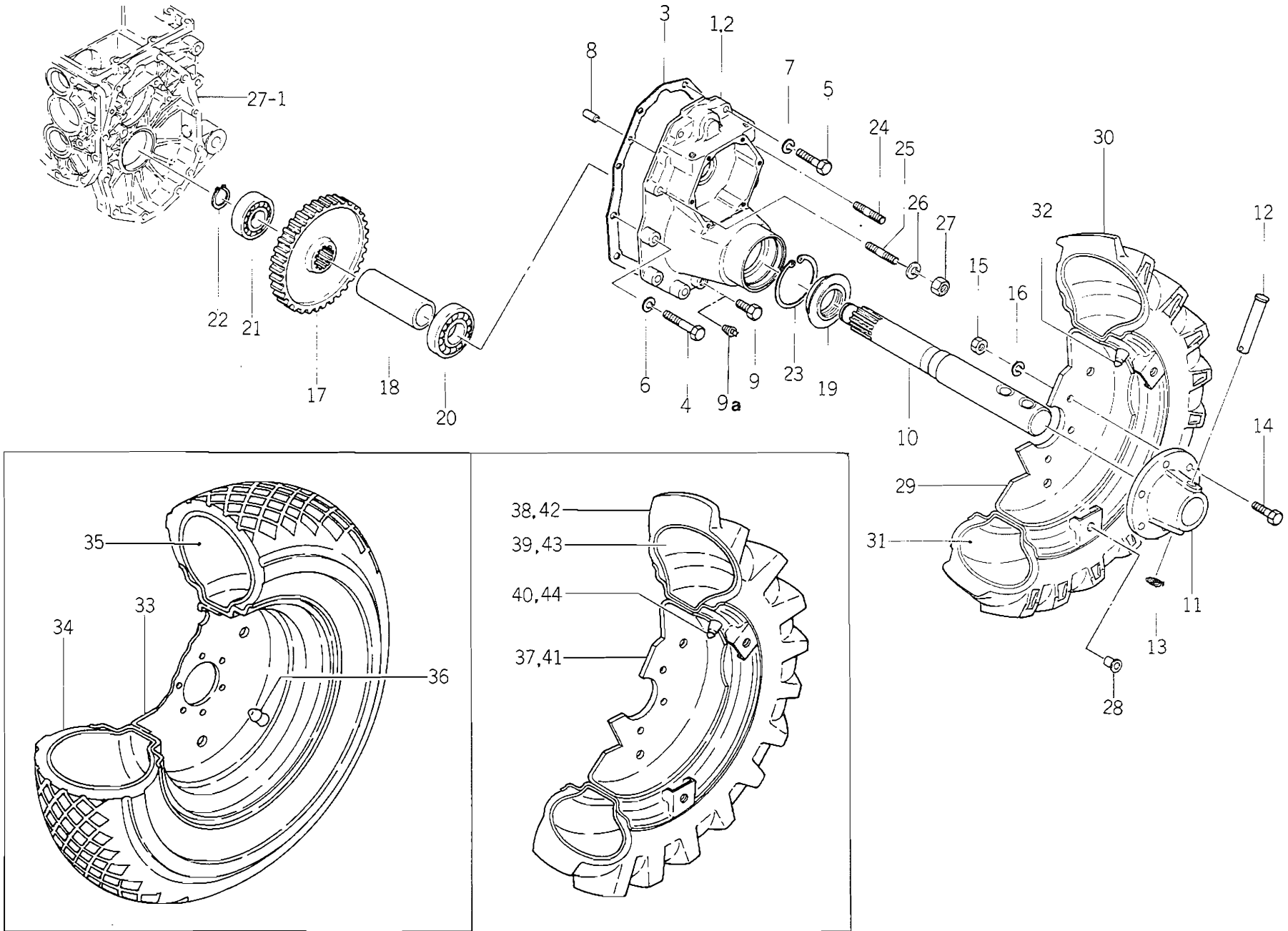
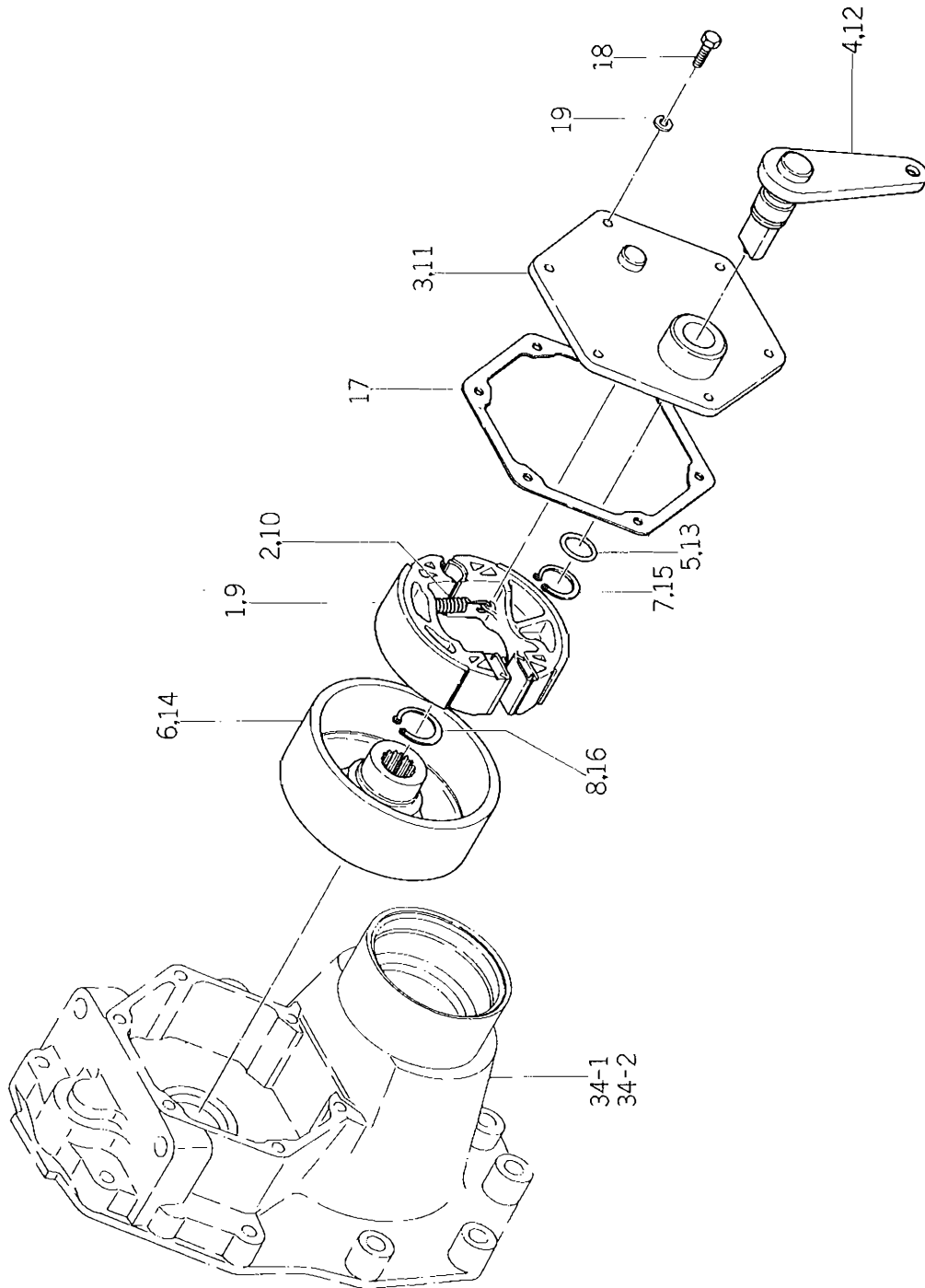


Fig. 34 REAR AXLE SYSTEM
 Arbres arriere avec portique

Ref No. Réf No.	Parts No. Pièces No.	Description Désignation	Model & Q'ty Modél & Quant				Remarks Remarques
			TX 1300	TX 1300F	TX 1500	TX 1500F	
34-31-1	V889-000-0818-0	·TUBE/8-18 Chambre			2	2	} LOW LUG TIRE SET
34-32	V999-300-0010-0	·CAP, TIRE VALVE Bouchon de valve	2	2	2	2	
34- 0-3	1427-337-2300-0	TIRE, TURF R. ASSY Pneu gazon ar ensemble	2	2			}
	1429-337-2100-0	TIRE, TURF R. ASSY Pneu gazon ar ensemble			2	2	
34-33	1427-337-2400-1	·DRUM, WHEEL/W6×16 Tambour de roue	2	2			}
34-33-1	1429-337-2200-1	·DRUM, WHEEL/W8×16 Tambour de roue			2	2	
34-34	1427-337-2310-0	·TIRE, TURF Pneu gazon	2	2			} TURF TIRE SET
34-34-1	1429-337-2110-0	·TIRE, TURF Pneu gazon			2	2	
34-35	1427-337-2320-0	·TUBE/8-16 Chambre	2	2			}
34-35-1	1429-337-2120-0	·TUBE/9.5-16 Chambre			2	2	
34-36	V999-300-0010-0	·CAP, TIRE VALVE Bouchon de valve	2	2	2	2	}
34- 0-4	1427-317-2000-0	TIRE, HIGH LUG LH ASSY Pneu g ensemble	1	1			
34- 0-4a	1427-317-2001-0	TIRE, HIGH LUG LH ASSY Pneu g ensemble	1	1			※
34- 0-5	1427-317-2200-0	TIRE, HIGH LUG RH ASSY Pneu d ensemble	1	1			※
34- 0-5a	1427-317-2201-0	TIRE, HIGH LUG RH ASSY Pneu d ensemble	1	1			※
34-37	1427-317-2100-1	·DRUM, WHEEL Tambour de roue	2	2			}
34-38	V888-440-0816-0	·TIRE/8-16 4PR Pneu	2	2			
34-38a	1427-317-2010-0	·TIRE, HIGH LUG Pneu	2	2			※
34-39	V889-000-0816-0	·TUBE/8-16 Chambre	2	2			}
34-40	V999-300-0010-0	·CAP, TIRE VALVE Bouchon de valve	2	2			
34- 0-6	1429-317-2000-0	TIRE, HIGH LUG LH ASSY Pneu g ensemble			1	1	}
34- 0-6a	1429-317-2001-0	TIRE, HIGH LUG LH ASSY Pneu g ensemble			1	1	
34- 0-7	1429-317-2200-0	TIRE, HIGH LUG RH ASSY Pneu d ensemble			1	1	}
34- 0-7a	1429-317-2201-0	TIRE, HIGH LUG RH ASSY Pneu d ensemble			1	1	
34-41	1429-317-2100-1	·DRUM, WHEEL Tambour de roue			2	2	}
34-42	V888-440-0818-0	·TIRE/8-18 4PR Pneu			2	2	
34-42a	1429-317-2010-0	·TIRE, HIGH LUG Pneu			2	2	※
34-43	V889-000-0818-0	·TUBE/8-18 Chambre			2	2	}
34-44	V999-300-0010-0	·CAP, TIRE VALVE Bouchon de valve			2	2	

※ © { 1300 NO. 103531~
1300F NO. 015136~
1500 NO. 104280~
1500F NO. 009524~

Fig. 37 BRAKE SYSTEM (FOR E10, 11, 12, 40, 41, 42, 43,
50, 51, 52)
Frein



Ref No. Réf No.	Parts No. Pièces No.	Description Désignation	Model & Q'ty Modél & Quant				Remarks Remarques
			TX 1300	TX 1300 F	TX 1500	TX 1500 F	
* * X37- 0-1a	1427-310-2000-0 1427-310-2001-0	·BRAKE, LH ASSY Frein g complet	1	1	1	1	(B) info no. 83-10(11) Jan 17, '83.
* * X37- 1a	1427-310-2100-0 1427-310-2101-0	·SHOE, BRAKE Machoire	2	2	2	2	(C) " " " "
37- 2	1427-310-0010-0	·SPRING, TENSION Ressort	2	2	2	2	
* * X37- 3a	1427-310-2200-0 1427-310-2201-0	·COVER, BRAKE Flasque g	1	1	1	1	(C) info no. 83-10(11) Jan 14, '83
37- 4	1427-310-2300-0	·PIN, BRAKE CAM LH Game g	1	1	1	1	
37- 5	V720-102-4018-0	·O-RING/P18 Joint torique	1	1	1	1	
* * X37- 6a	1427-310-2400-0 1427-310-2401-0	·DRUM, BRAKE Tambour	1	1	1	1	(C) info no. 83-10(11) Jan 11, '83.
37- 7	V704-140-0220-0	·RING, SNAP/G22 Collet d'axe	1	1	1	1	
37- 8	V704-140-0250-0	·RING, SNAP/G25 Collet d'axe	1	1	1	1	
* * X37- 0-2a	1427-310-2500-0 1427-310-2501-0	BRAKE, RH ASSY Frein d complet	1	1	1	1	(B) info no. 83-10(11) Jan 17, '83
* * X37- 9a	1427-310-2100-0 1427-310-2101-0	·SHOE, BRAKE Machoire	2	2	2	2	(C) for E10, 11, 12, 40, 41, 42, 43, 50, 51, 52
37-10	1427-310-0010-0	·SPRING, TENSION Ressort	2	2	2	2	
* * X37-11a	1427-310-2200-0 1427-310-2201-0	·COVER, BRAKE Flasque	1	1	1	1	(C) info no. 83-10(11) Jan 14, '83
37-12	1427-310-2700-0	·PIN, BRAKE CAM RH Game d	1	1	1	1	
37-13	V720-102-4018-0	·O-RING/P18 Joint torique	1	1	1	1	
* * X37-14a	1427-310-2400-0 1427-310-2401-0	·DRUM, BRAKE Tambour	1	1	1	1	(C) info no. 83-10(11) Jan 14, '83
37-15	V704-140-0220-0	·RING, SNAP/G22 Collet d'axe	1	1	1	1	
37-16	V704-140-0250-0	·RING, SNAP/G25 Collet d'axe	1	1	1	1	
37-17	1427-310-0020-0	PACKING/PAPER Joint de flasque	2	2	2	2	
37-18	V201-260-8020-0	BOLT/M8 x 20 Vis	12	12	12	12	
37-19	V401-160-0080-0	WASHER, SP/M8 Rondelle frein	12	12	12	12	

* * Applicable parts with specified chassis nos:

TX 1500 2 WD # 104335-
TX 1500 4 WD # 10994-
TX 1300 2 WD # 103780-
TX 1300 4 WD # 16629-

July 1980
1400-098-0021-0

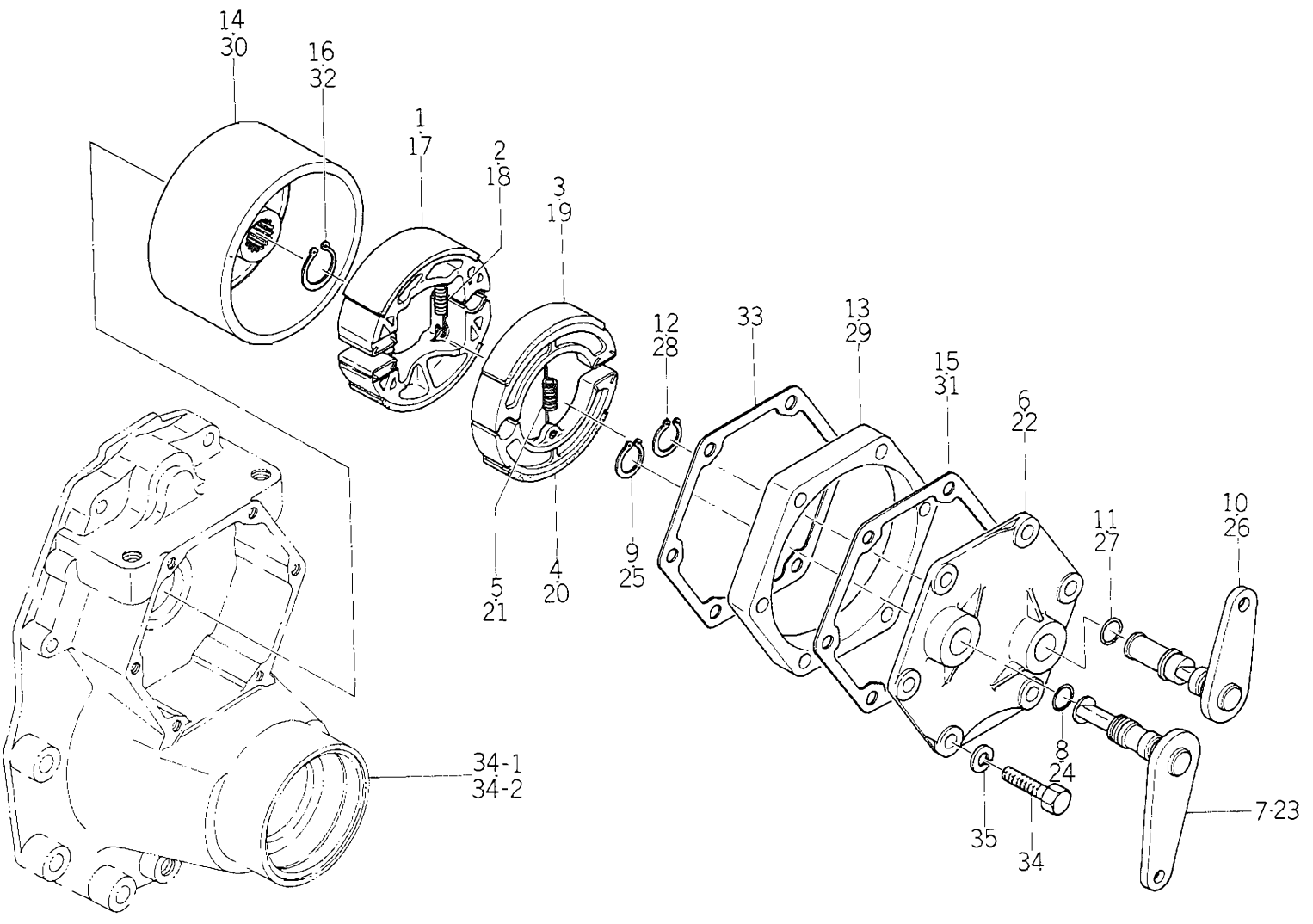


Fig. 38 BRAKE SYSTEM (FOR E20, 21, 22)
Frein

Ref No. Réf No.	Parts No. Pièces No.	Description Désignation	Model & Q'ty Modél & Quant				Remarks Remarques
			TX 1300	TX 1300 F	TX 1500	TX 1500 L	
38- 0-1	1427-311-2000-0	BRAKE, LH ASSY Frein g complet	1	1	1	1	① info no. 83-10(1/1) Jan 11, 83
* * X38- 1a	1427-310-2101-0 1427-310-2100-0	·SHOE, BRAKE Machoire	2	2	2	1	
38- 2	1427-310-0010-0	·SPRING, TENSION Ressort	2	2	2	2	
38- 3	1427-311-2100-0	·SHOE, BRAKE (A) Machoire	1	1	1	1	
38- 4	1427-311-2200-0	·SHOE, BRAKE (B) Machoire	1	1	1	1	
38- 5	1427-311-2010-0	·SPRING, TENSION (A) Ressort	1	1	1	1	
38- 6	1427-311-2020-0	·COVER, BRAKE LH Flasque	1	1	1	1	
38- 7	1427-311-2300-0	·PIN, BRAKE CAM (A) LH Game	1	1	1	1	
38- 8	V720-102-4016-0	·O-RING/P16 Joint torique	1	1	1	1	
38- 9	V704-140-0200-0	·RING, SNAP/C20 Collet d'axe	1	1	1	1	
38-10	1427-311-2400-0	·PIN, BRAKE CAM (B) LH Game	1	1	1	1	
38-11	V720-102-4015-0	·O-RING/P15 Joint torique	1	1	1	1	
38-12	V704-140-0190-0	·RING, SNAP/C19 Collet d'axe	1	1	1	1	
38-13	1427-311-2030-0	·SPACER Entretoise	1	1	1	1	
38-14	1427-311-2040-0	·DRUM, BRAKE Tambour	1	1	1	1	
38-15	1427-311-2050-0	·PACKING, PAPER Joint	1	1	1	1	
38-16	V704-140-0250-0	·RING, SNAP/C25 Collet d'axe	1	1	1	1	
38- 0-2	1427-311-3000-0	BRAKE, RH ASSY Frein d complet	1	1	1	1	for E20, 21, 22 ① info no. 83. 10(1/1)
* * X38-17a	1427-310-2101-0 1427-310-2100-0	·SHOE, BRAKE Machoire	2	2	2	2	
38-18	1427-310-0010-0	·SPRING, TENSION Ressort	2	2	2	2	
38-19	1427-311-2100-0	·SHOE, BRAKE (A) Machoire	1	1	1	1	
38-20	1427-311-2200-0	·SHOE, BRAK (B) Machoire	1	1	1	1	
38-21	1427-311-2010-0	·SPRING, TENSION (A) Ressort	1	1	1	1	
38-22	1427-311-3010-0	·COVER, BRAKE RH Flasque	1	1	1	1	
38-23	1427-311-3100-0	·PIN, BRAKE CAM (A) RH Game	1	1	1	1	
38-24	V720-102-4016-0	·O-RING/P16 Joint torique	1	1	1	1	
38-25	V704-140-0200-0	·RING, SNAP/C20 Collet d'axe	1	1	1	1	
38-26	1427-311-3200-0	·PIN, BRAKE CAM (B) RH Game	1	1	1	1	
38-27	V720-102-4015-0	·O-RING/P15 Joint torique	1	1	1	1	
38-28	V704-140-0190-0	·RING, SNAP/C19 Collet d'axe	1	1	1	1	
38-29	1427-311-2030-0	·SPACER Entretoise	1	1	1	1	
38-30	1427-311-2040-0	·DRUM, BRAKE Tambour	1	1	1	1	
38-31	1427-311-2050-0	·PACKING/PAPER Joint	1	1	1	1	
38-32	V704-140-0250-0	·RING, SNAP/C25 Collet d'axe	1	1	1	1	
38-33	1427-310-0020-0	PACKING/PAPER Joint	2	2	2	2	
38-34	V201-260-8040-0	BOLT/M8 x 40 Vis	12	12	12	12	
38-35	V401-160-0080-0	WASHER, SP/M8 Rondelle frein	12	12	12	12	

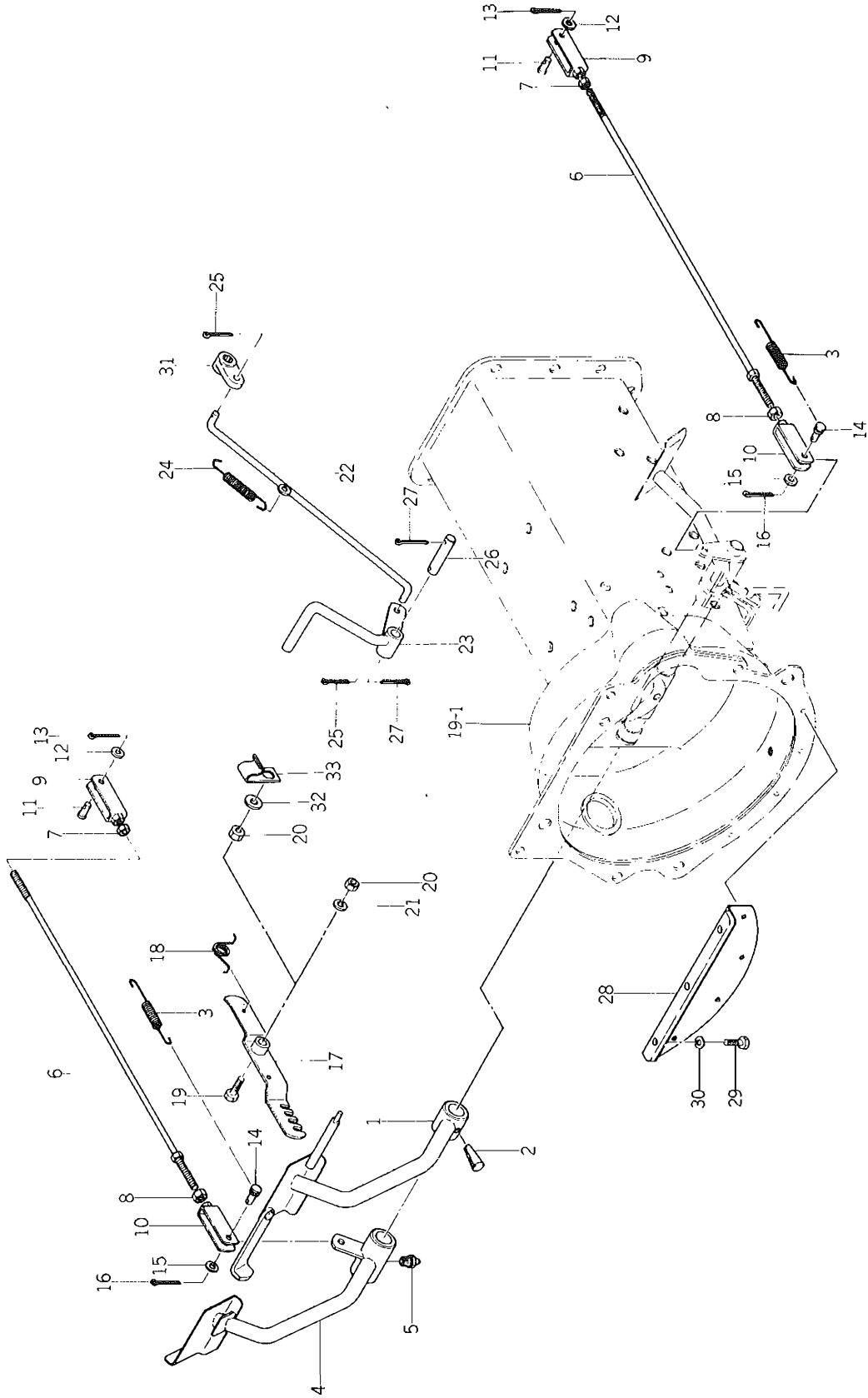
* * Applicable parts with specif. ch. nrs:

TX 1500 2WD # 104335 -
TX 1500 4WD # 10994 -
TX 1300 2WD # 103180 -
TX 1300 4WD # 16629 -

Fig. 39

BRAKE ROD SYSTEM

Tringle et pedales

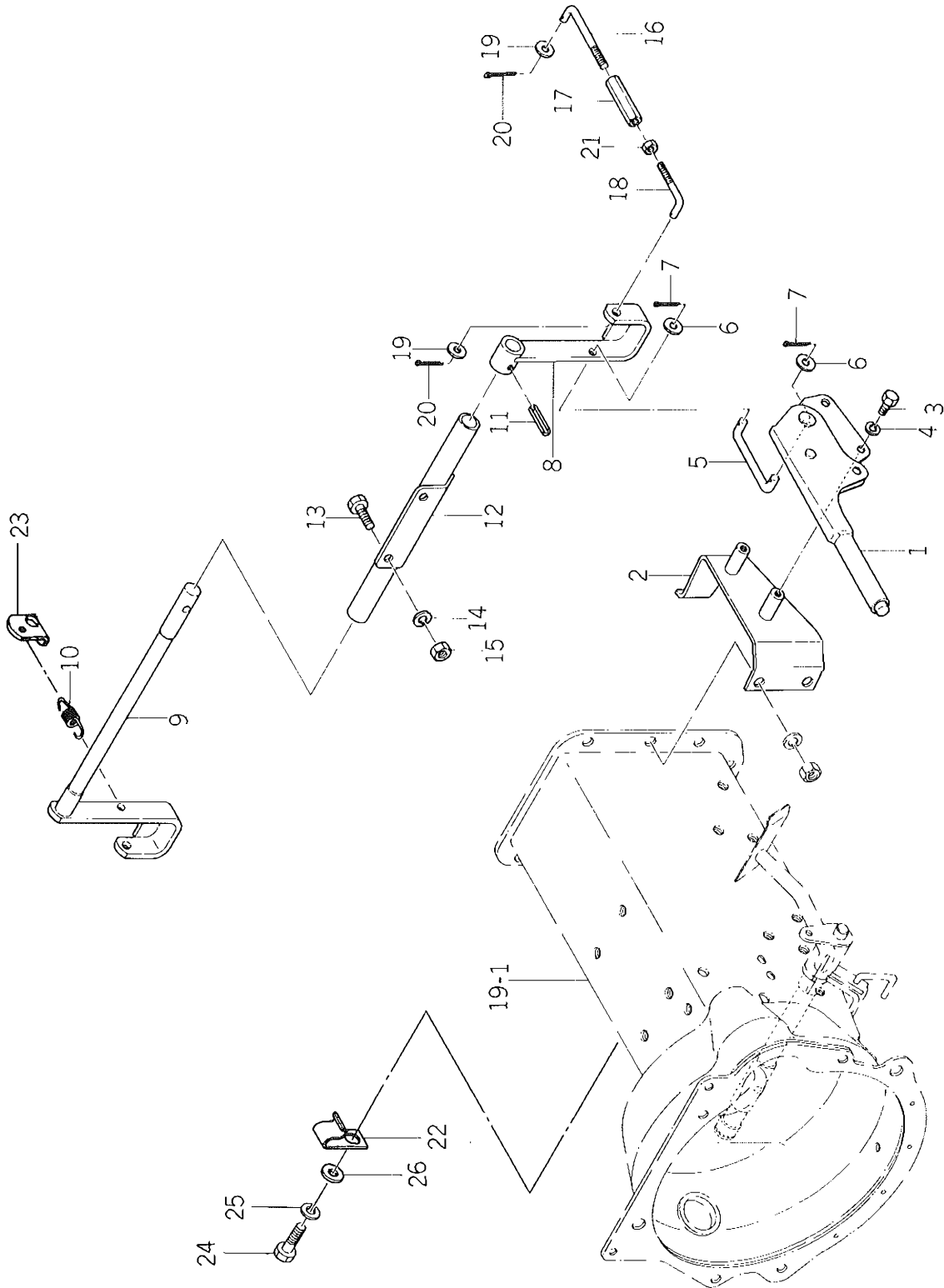


Ref No. Réf No.	Parts No. Pièces No.	Description Désignation	Model & Q'ty Modél & Quant				Remarks Remarques
			TX 1300	TX 1300F	TX 1500	TX 1500F	
39- 1	1427-312-2100-0	PEDAL, BRAKE LH Pedale g	1	1	1	1	
39- 2	1427-312-0010-0	PIN, SPRING/8×35 Goupille elastique	1	1	1	1	
39- 3	1403-312-0030-0	SPRING, PARKING BRAKE Ressort	2	2	2	2	
39- 4	1427-312-2200-0	PEDAL, BRAKE RH Pedale d	1	1	1	1	
39- 5	V763-400-0000-0	NIPPLE, GREASE Graisseur	2	2	2	2	
39- 6	1427-312-2300-0	ROD, BRAKE Biellette	2	2	2	2	
39- 7	1401-122-0050-0	NUT, LH THREAD/M8 Erou (pas a gauche)	2	2	2	2	
39- 8	V302-260-0080-0	NUT/M8 Erou	2	2	2	2	
39- 9	1415-312-5000-0	YOKE, LH Chape g	2	2	2	2	
39-10	1415-312-6000-0	YOKE, RH Chape d	2	2	2	2	
39-11	1404-312-0060-0	PIN, YOKE (A) Axe de chape	2	2	2	2	
39-12	V413-160-0080-0	WASHER/M8 Rondelle	2	2	2	2	
39-13	V500-152-0018-0	PIN, SPLIT/2×18 Goupille fendue	2	2	2	2	
39-14	1404-312-0050-0	PIN, YOKE (B) Axe de chape	2	2	2	2	
39-15	V413-160-0080-0	WASHER/M8 Rondelle	2	2	2	2	
39-16	V500-152-0018-0	PIN, SPLIT/2×18 Goupille fendue	2	2	2	2	
39-17	1427-312-2400-0	STOPPER, PACKING Crochet cc parcage	1	1	1	1	
39-18	1427-312-0020-0	SPRING, TORQUE/20 Ressort de torsion	1	1	1	1	
39-19	V201-261-0035-0	BOLT/M10×35 Vis	1	1	1	1	for E10, 11, 12, 40, 41, 42, 43, 50, 51, 52
39-20	V300-260-0100-0	NUT/M10 Erou	1	1	1	1	
39-21	V401-160-0100-0	WASHER, SP/M10 Rondelle frein	1	1	1	1	
39-22	1427-301-2100-0	ROD, PULL Tige de differentiel	1	1	1	1	
39-23	1427-301-2000-0	PEDAL, DIFF-LOCK Commande de differentiel	1	1	1	1	
39-24	1427-301-0210-0	SPRING, TENSION/121 Ressort	1	1	1	1	
39-25	V500-152-5018-0	PIN, SPLIT/2.5×18 Goupille fendue	2	2	2	2	
39-26	1427-301-0220-0	PIN, STRAIGHT/12×53 Axe	1	1	1	1	
39-27	V500-153-0020-0	PIN, SPLIT/3×20 Goupille fendue	2	2	2	2	
39-28		PLATE, R. Contre plaque	1	1	1	1	Engine parts Ref No. 2-26
39-29	V201-260-8012-0	BOLT/M8×12 Vis	3	3	3	3	
39-30	V401-160-0080-0	WASHER, SP/M8 Rondelle frein	3	3	3	3	
39-31	1427-301-0190-0	ARM, DIFF-LOCK Levier de blocage	1	1	1	1	
39-32	V413-160-0100-0	WASHER/M10 Rondelle frein	1	1			1300 NO. 103151- 1300F NO. 013254- 1500 NO. 103883- 1500F NO. 007349-
39-33	1434-312-0010-0	CLAMP, HARNESS Attache faisceau	1	1			

Fig. 40

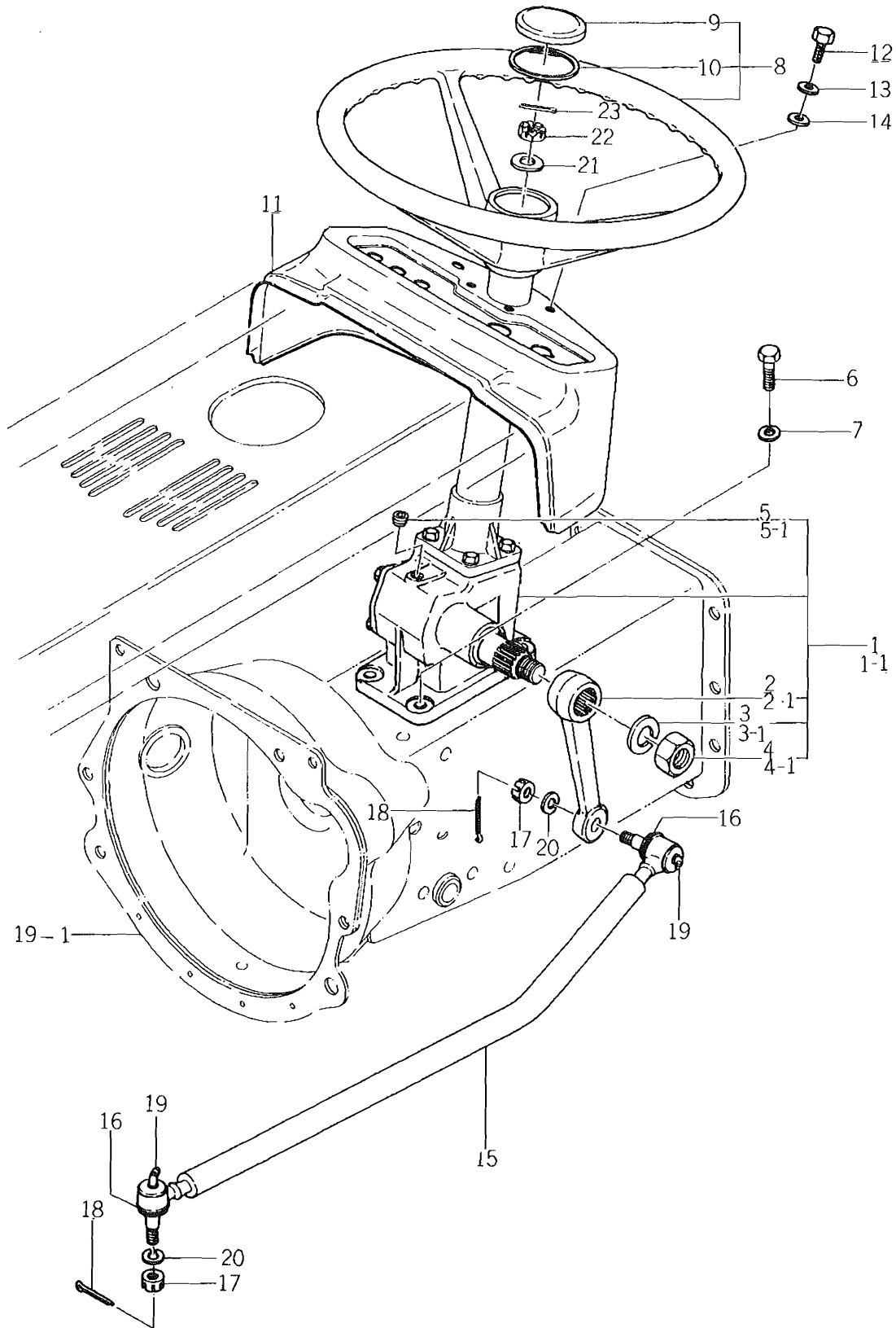
HAND BRAKE SYSTEM (FOR E20, 21, 22)

Tringle et pedales (pour E20, E21, E22)



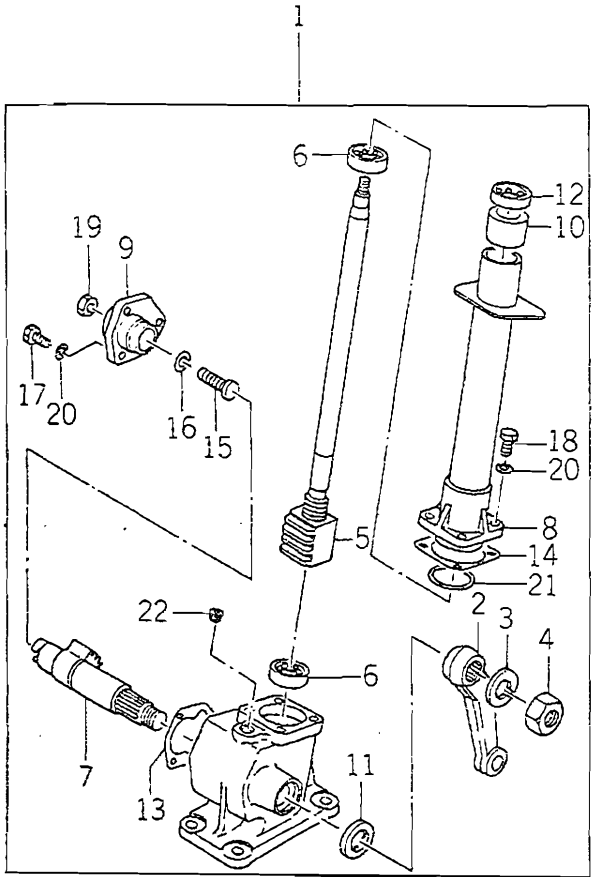
Ref N°. Réf N°.	Parts No. Pièces No.	Description Désignation	Model & Q'ty Modél & Quant				Remarks Remarques
			TX 1300	TX 1300 F	TX 1500	TX 1500 F	
40- 1	1427-313-2000-0	LEVER, PARKING Verrou de parcage	1	1	1	1	
40- 2	1427-313-2200-0	HOLDER, LEVER Support de levier	1	1	1	1	
40- 3	V201-260-8016-0	BOLT/M8×16 Vis	2	2	2	2	
40- 4	V401-160-0080-0	WASHER, SP/M8 Rondelle frein	2	2	2	2	
40- 5	1427-313-0010-0	ROD, PARKING (A) Tige de frein	1	1	1	1	
40- 6	V413-160-0080-0	WASHER/M8 Rondelle	2	2	2	2	
40- 7	V500-153-0018-0	PIN, SPLIT/3×18 Goupille fendue	2	2	2	2	
40- 8	1427-313-2301-0	ARM, PARKING Bras	1	1	1	1	
40- 9	1427-313-2401-0	SHAFT, PARKING Arbre	1	1	1	1	
40-10	1427-313-0020-0	SPRING, TENSION/50 Ressort	1	1	1	1	
40-11	V580-140-8028-0	PIN, SPRING/8×28 W Goupille elastique	1	1	1	1	
40-12	1427-313-2500-0	HOLDER, SHAFT Support de arbre	1	1	1	1	
40-13	V201-261-0018-0	BOLT/M10×18 Vis	2	2	2	2	
40-14	V401-160-0100-0	WASHER, SP/M10 Rondelle frein	2	2	2	2	for E20, 21, 22
40-15	V300-260-0100-0	NUT/M10 Erou	2	2	2	2	
40-16	1427-313-0030-0	ROD, PARKING LH Tige de frein g	2	2	2	2	
X 40-17	1405-124-0040-0 1421-122-0030-0	TURNBUCKLE Tendeur de tirant	2	2	2	2	(A) PARTS INFO MAR 13, 81.
40-18	1427-313-0040-0	ROD, PARKING RH Tige de frein d	2	2	2	2	
40-19	V413-160-0080-0	WASHER/M8 Rondelle	4	4	4	4	
40-20	V500-153-0018-0	PIN, SPLIT/3×18 Goupille fendue	4	4	4	4	
40-21	V302-260-0080-0	NUT/M8 Erou	2	2	2	2	
40-22	1434-312-0010-0	CLAMP, HARNESS Attache faisceau	1	1	1	1	
40-23	1427-313-0050-0	HOLDER, SPRING Ressort	1	1	1	1	
40-24	V201-261-0014-0	BOLT/M10×14 Vis	1	1	1	1	
40-25	V401-160-0100-0	WASHER, SP/M10 Rondelle frein	1	1	1	1	
40-26	V413-160-0100-0	WASHER/M10 Rondelle	1	1	1	1	

Fig. 41 STEERING SYSTEM
Direction



No.	Page	Ref. No.	Old			New			I T C	Applicable model
			Parts No.	Description	Q'ty	Parts No.	Description	Q'ty		

1.	100	41-1	1429-406-2000-0	STEERING ASSY	1
2.	100				
3.	100				
4.	100				
5.	100				
6.	100				
7.	100				
8.	100				
9.	100				
10.	100				
11.	100				
12.	100				
13.	100				
14.	100				
15.	100				
16.	100				
17.	100				
18.	100				
19.	100				
20.	100				
21.	100				
22.	100				



1429-406-2010-0	.ARM, PITMAN	1
V401-160-0200-0	.WASHER, SP/M20	1
V332-460-0200-0	.NUT/M20	1
1429-406-2500-0	.BALL NUT ASSY	1
1429-406-2030-0	.BEARING, RB	2
1429-406-2040-0	.SHAFT, SECTOR	1
1429-406-2600-0	.COLUMN ASSY	1
1429-406-2700-0	.COVER, SIDE ASSY	1
1429-406-2050-0	.BUSH, COLUMN	1
1429-406-2060-0	.SEAL, OIL	1
1429-406-2070-0	.SEAL, OIL	1
1429-406-2080-0	.PACKING, SIDE COVER	1
1429-406-2090-0	.SHIM, R. COVER SET	1
1429-406-2110-0	.SCREW, ADJ	1
1429-406-2120-0	.SHIM, ADJ SCREW SET	1
1429-406-2130-0	.BOLT	3
1429-406-2140-0	.BOLT	4
1429-406-2150-0	.NUT	1
V401-160-0080-0	.WASHER, SP/M8	7
1429-406-2160-0	.O-RING	1
1429-406-2020-0	.PLUG, SCREW	1

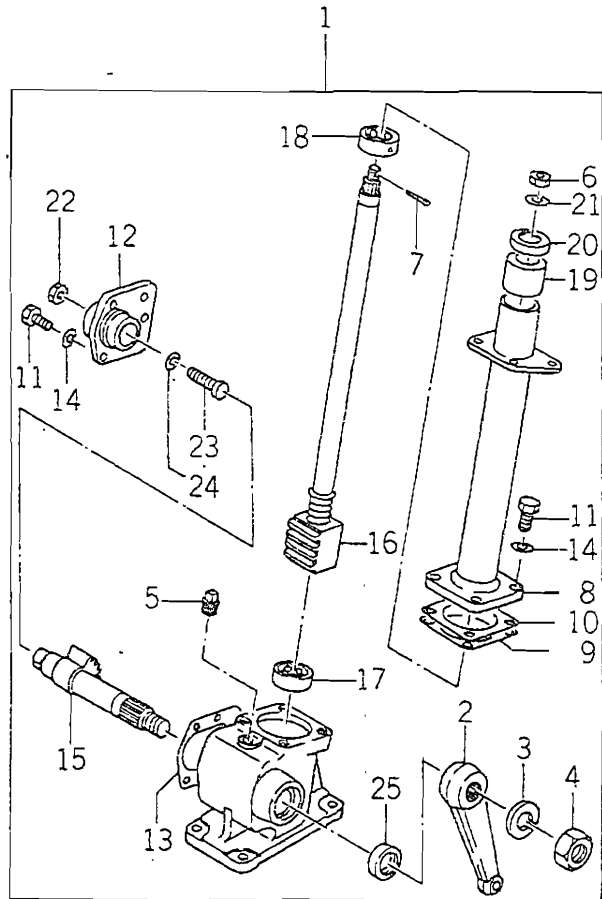
100
④

ITC (Interchangeability) Ⓐ : Old New Ⓑ : Old New Ⓒ : Old New Ⓓ : Abolished Ⓔ : Newly included

AT8002300



No.	Page	Ref. No.	Old			New			I T C	Applicable model
			Parts No.	Description	Q'ty	Parts No.	Description	Q'ty		
1.	100	41-1-1	1427-406-2000-0	STEERING ASSY	1					
2.	100					1427-406-0150-0	.ARM, PITMAN	1		
3.	100					V401-160-0200-0	.WASHER, SP/M20	1		
4.	100					1427-406-0160-0	.NUT/M20 6T	1		
5.	100					1427-406-0170-0	.PLUG, OIL	1		
6.	100					V321-260-0100-0	.NUT, SLOTTED/M10	1		
7.	100					V500-152-0025-0	.PIN, SPLIT/2x25	1		
8.	100					1427-406-2201-0	.COVER, TOP	1		
9.	100					1427-406-0010-0	.PACKING, TOP COVER	1		
10.	100					1427-406-0020-0	.SHIM, TOP COVER	1		
11.	100					1427-406-0031-0	.BOLT/M8x25	7		
12.	100					1427-406-0040-0	.COVER, SIDE	1		
13.	100					1427-406-0050-0	.PACKING, SIDE COVER	1		
14.	100					V401-160-0100-0	.WASHER, SP/M10	8		
15.	100					1427-406-0060-0	.SHAFT, CROSS	1		
16.	100					1427-406-2300-0	.BALL SCREW UNIT	1		
17.	100					1427-406-0070-0	.BEARING, BALL	1		
18.	100					1427-406-0080-0	.BEARING, BALL	1		
19.	100					1427-406-0090-0	.BUSH, HANDLE	1		
20.	100					1427-406-0110-0	.SEAL, OIL/MHSA19268	1		
21.	100					V411-160-0100-0	.WASHER/M10	1		
22.	100					V331-260-0100-0	.NUT/M10	1		
23.	100					1427-406-0120-0	.BOLT, ADJ	1		
24.	100					1427-406-0130-0	.PLATE, ADJ	1		
25.	100					1427-406-0140-0	.SEAL, OIL/MHSA26338	1		



ITC (Interchangeability) Ⓐ : Old New Ⓑ : Old New Ⓒ : Old New Ⓓ : Abolished Ⓔ : Newly included

Ref No. Réf No.	Parts No. Pièces No.	Description Désignation	Model & Q'ty Modél & Quant				Remarks Remarques	
			TX 1300	TX 1300 F	TX 1500	TX 1500 F		
X 41- 1	1429-406-2000-0	STEERING ASSY Boîtier de direction			1	1	PARTS INFO MARCH 13, 81. see copy attached (A)	
41- 2	1429-406-2010-0	· ARM, PITMAN Bras pitman			1	1		
41- 3	V401-160-0200-0	· WASHER, SP/M20 Rondelle frein			1	1		
41- 4	1414-406-0050-0	· NUT/M20 6T P--1.25 Erou			1	1		
41- 4a	V332-460-0200-0	· NUT/M20 7T Erou			1	1		
41- 5	1429-406-2020-0	· PLUG, OIL / PT1/4 Bouchon			1	1	(B) { 1500 NO. 103771- 1500F NO. 007176-	
X 41- 1-1	1427-406-2000-0	STEERING ASSY Boîtier de direction	1	1			PARTS INFO MARCH 13, 81 see copy attached (B)	
41- 2-1	1427-406-0150-0	· ARM, PITMAN Bras	1	1				
41- 3-1	V401-160-0200-0	· WASHER, SP/M20 Rondelle frein	1	1				
41- 4-1	1427-406-0160-0	· NUT/M20 6T P--1.25 Erou	1	1				
41- 5-1	1427-406-0170-0	· PLUG, OIL / PT1/4 Bouchon	1	1				
41- 6	V201-461-0030-0	BOLT/M10×30 9T Vis	4	4	4	4		
41- 7	V401-160-0100-0	WASHER, SP/M10 Rondelle frein	4	4	4	4		
41- 8	1421-400-0520-0	WHEEL, STEERING ASSY Volant	1	1	1	1		
41- 9	1407-406-0020-0	· CAP, STEERING Calotte	1	1	1	1		
41-10	1407-406-0040-0	· PACKING, RUBBER Anneau	1	1	1	1		
41-11	1427-603-2000-1	PANEL, METER Tableau de bord	1	1	1	1		for E10, 11, 12
41-11-1	1427-608-2000-1	PANEL, METER Tableau de bord	1	1	1	1		{ for E20, 21, 22, 40, 41, 42, 43, 50, 51, 52 1300 NO. 103076- 1300F NO. 012735- 1500 NO. 103687- 1500F NO. 006960-
41-12	V201-260-8016-0	BOLT/M8×16 Vis	4	4	4	4		
41-13	V401-160-0080-0	WASHER, SP/M8 Rondelle frein	4	4	4	4		
41-14	V413-160-0080-0	WASHER/M8 Rondelle	4	4	4	4		
41-15	1429-406-2100-0	ROD, DRAG ASSY Tige de direction			1	1		
41-15-1	1427-406-2400-0	ROD, DRAG ASSY Tige de direction	1	1				
41-16	1427-406-0180-0	· COVER, DUST Cache	2	2	2	2		
41-17	V321-260-0100-0	· NUT, SLOTTED/M10 Erou a creneaux	2	2	2	2		
41-18	V500-152-5025-0	· PIN, SPLIT/2.5×25 Goupille fendue	2	2	2	2		
41-19	1404-402-0050-0	· NIPPLE, GREASE Graisseur	2	2	2	2		
41-20	V401-160-0100-0	· WASHER, SP/M10 Rondelle frein	2	2	2	2		
41-21	V413-160-0100-0	WASHER/M10 Rondelle	1	1	1	1		
41-22	V321-260-0100-0	NUT, SLOTTED/M10 Erou a creneaux	1	1	1	1		
41-23	V500-152-0025-0	PIN, SPLIT/2×25 Goupille fendue	1	1	1	1		

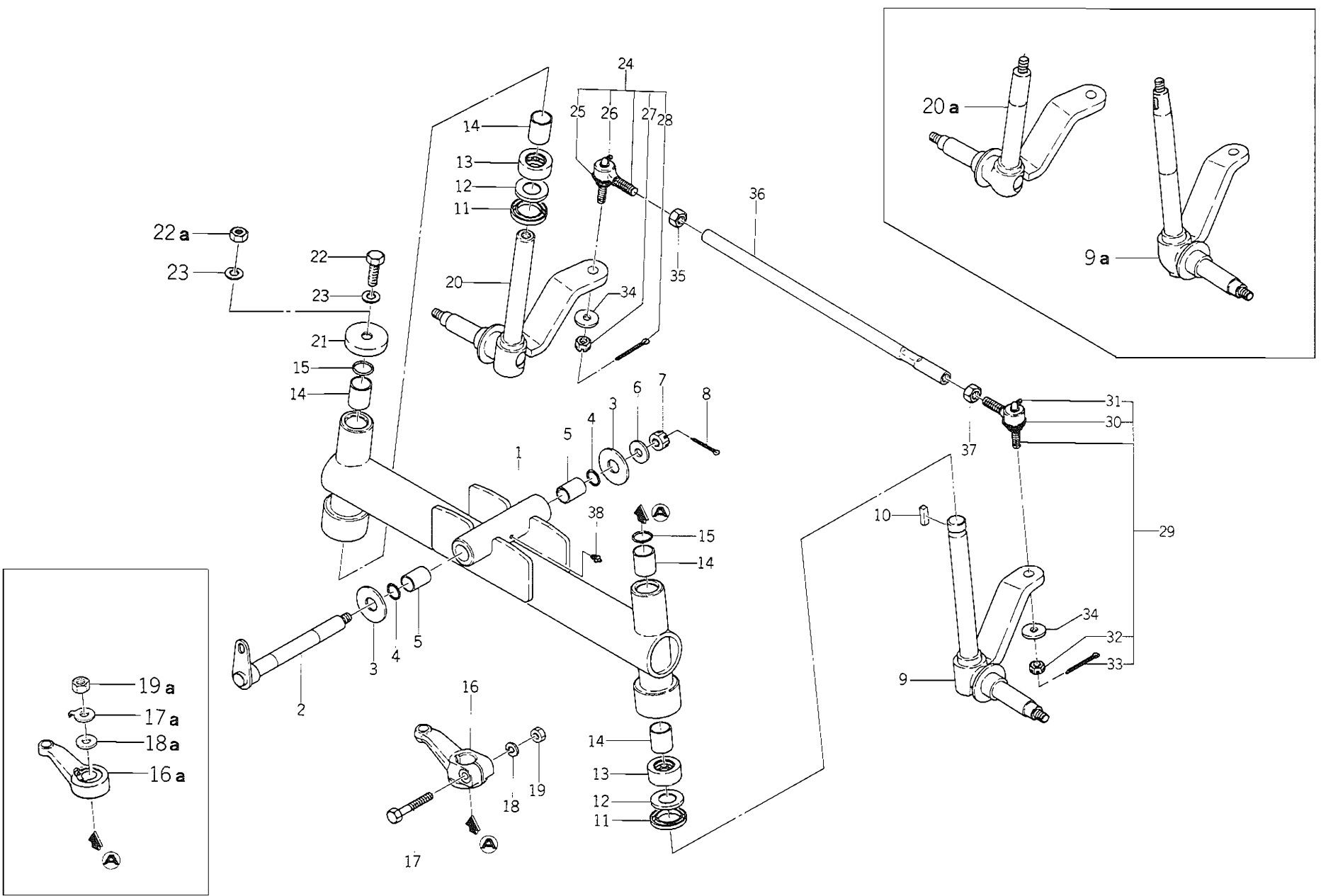


Fig. 43
FRONT AXLE SYSTEM
Essieu avant

Ref No. Réf No.	Parts No. Pièces No.	Description Désignation	Model & Q'ty Modél & Quant				Remarks Remarques
			TX 1300	TX 1300F	TX 1500	TX 1500F	
43- 1	1427-401-2100-0	AXLE, F. SET Axe av	1		1		Included 43-5, 43-14
43- 2	1427-431-2000-0	PIVOT, CENTER Pivot d'essieu	1		1		
43- 3	V411-160-0200-0	WASHER/M20 Rondelle	2		2		
43- 4	V720-102-4020-0	O-RING/P20 Joint torique	2		2		
43- 5	1427-401-0010-0	BUSH/20×24×30 Cousinet	2		2		
43- 6	1427-431-0030-0	WASHER/13×32×3 Rondelle	1		1		
43- 7	V321-160-0120-0	NUT, SLOTTED/M12 Ecrou	1		1		
43- 8	V500-153-0025-0	PIN, SPLIT/3×25 Goupille fendue	1		1		
43- 9	1427-403-2001-0	SPINDLE, KNUCKLE LH Broche g	1		1		
43- 9a	1427-403-2200-0	SPINDLE, KNUCKLE LH Broche g	1		1		* ©
43-10	1326-708-0050-0	KEY Clavette	1		1		
43-11	V744-134-4808-0	SEAL, OIL/TC34488 Bague d'étanchéité	2		2		
43-12	1419-403-0010-0	COLLAR/25×42×4 Collier	2		2		
43-13	1414-403-0040-0	BEARING, TB/27TAG801 Roulement	2		2		
43-14	1411-401-0010-0	BUSH/25×29×30 Cousinet	4		4		
43-15	V720-103-5025-0	O-RING/P25 Joint torique	2		2		
43-16	1427-403-0010-0	ARM, DRAG Bras d'attelage	1		1		
43-16a	1427-403-0031-0	ARM, DRAG Bras d'attelage	1		1		* ©
43-17	V201-261-0055-0	BOLT/ 10×55 Vis	1		1		
43-17a	1421-403-0070-0	WASHER, LOCK/M12 Rondelle	1		1		* ©
43-18	V401-160-0100-0	WASHER, SP/M10 Rondelle frein	1		1		
43-18a	1421-403-0080-0	WASHER/13×35×5 Rondelle	1		1		* ©
43-19	V300-260-0100-0	NUT/M10 Ecrou	1		1		
43-19a	V300-260-0120-0	NUT/M12 Ecrou	1		1		* ©
43-20	1427-403-2101-0	SPINDLE, KNUCKLE RH Broche d	1		1		
43-20a	1427-403-2300-0	SPINDLE, KNUCKLE RH Broche d	1		1		* ©
43-21	1414-403-0030-0	COVER, SPINDLE Chapeau	1		1		
43-22	V201-261-2020-0	BOLT/M12×20 Vis	1		1		
43-22a	V300-260-0120-0	NUT/M12 Ecrou	1		1		* ©
43-23	V401-260-0120-0	WASHER, SP/M12 Rondelle frein	1		1		
43-24	1427-433-2500-0	END, TIE ROD RH ASSY Rotule d'ensemble	1		1		
43-25	1427-433-0250-0	·COVER, DUST Cache	1		1		
43-26	1404-402-0050-0	·NIPPLE, GREASE Graisseur	1		1		
43-27	V321-260-0100-0	·NUT, SLOTTED/M10 Ecrou	1		1		
43-28	V500-152-5025-0	·PIN, SPLIT/2.5×25 Goupille fendue	1		1		
43-29	1427-433-2400-0	END, TIE ROD LH ASSY Rotule g ensemble	1		1		
43-30	1427-433-0250-0	·COVER, DUST Cache	1		1		
43-31	1404-402-0050-0	·NIPPLE, GREASE Graisseur	1		1		

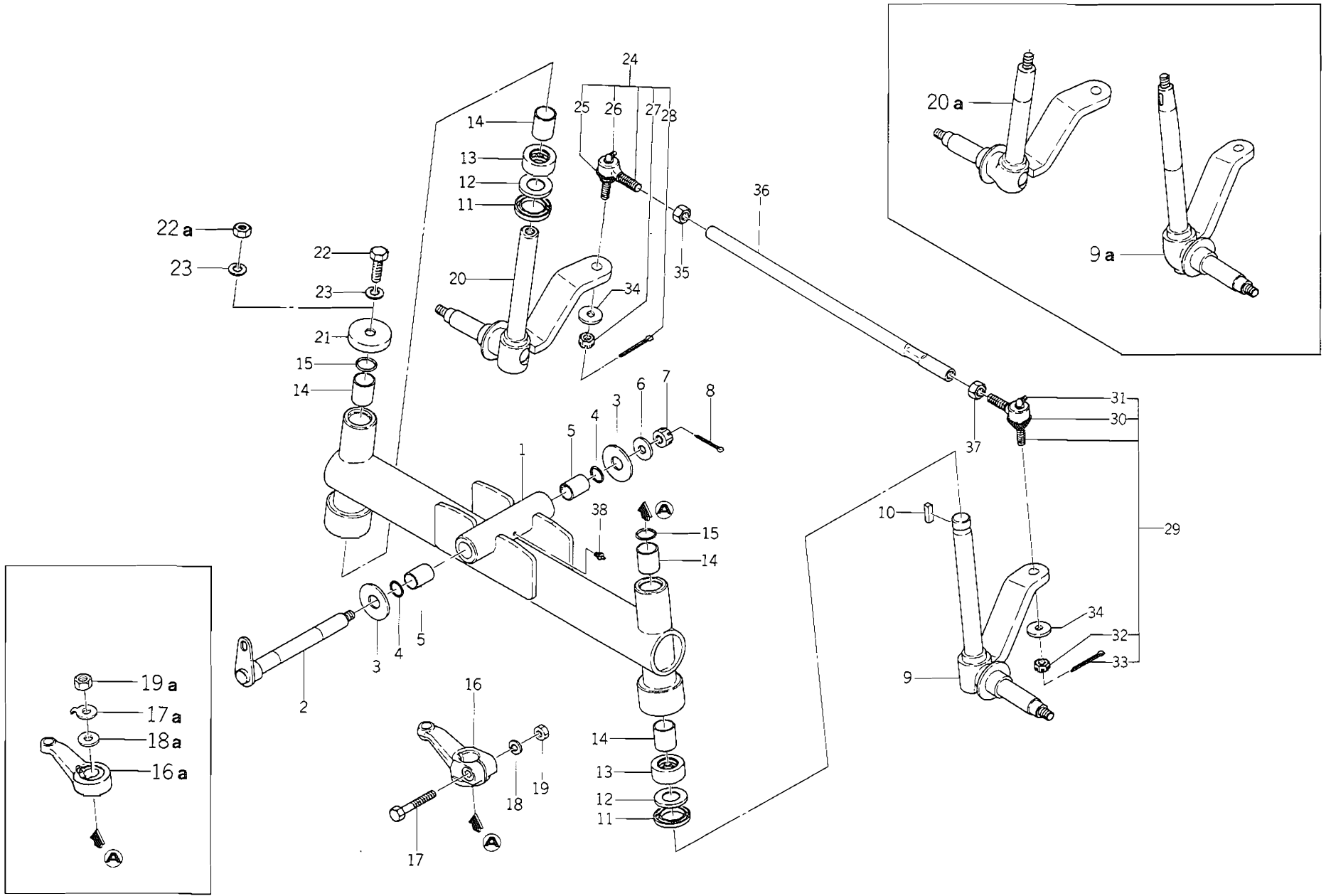


FIG. 43 FRONT AXLE SYSTEM
Essieu avant

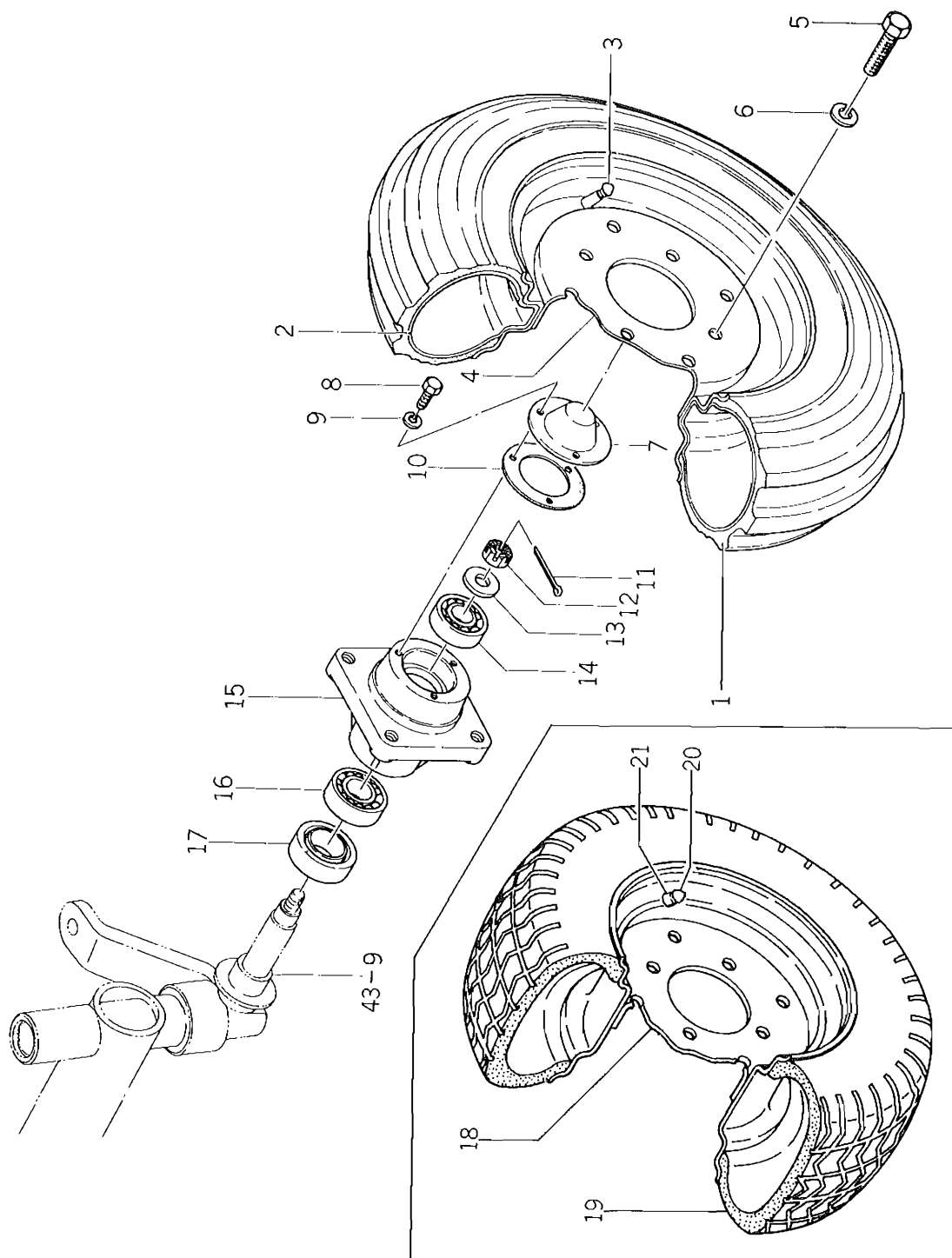
Ref No. Réf No.	Parts No. Pièces No.	Description Désignation	Model & Q'ty Modèle & Quant				Remarks Remarques
			TX 1300	TX 1300P	TX 1500	TX 1500P	
43-32	V321-260-0100-0	·NUT, SLOTTED/M10 Erou	1		1		
43-33	V500-152-5025-0	·PIN, SPLIT/2.5×25 Goupille fendue	1		1		
43-34	V413-160-0100-0	WASHER/M10 Rondelle	2		2		
43-35	1427-433-0230-0	NUT, THREAD LH/M12 Erou	1		1		
43-36	1427-403-0020-0	ROD, TIE Barre d'accouplement	1		1		
43-37	1427-433-0220-0	NUT/M12 P=1.5 Erou	1		1		
43-38	V761-400-0000-0	NIPPLE, GREASE Graisseur	3		3		

*Ⓒ TX1300 NO. 103159~
TX1500 NO. 103888~

Fig. 44

FRONT WHEEL SYSTEM (2WD)

Jante avant

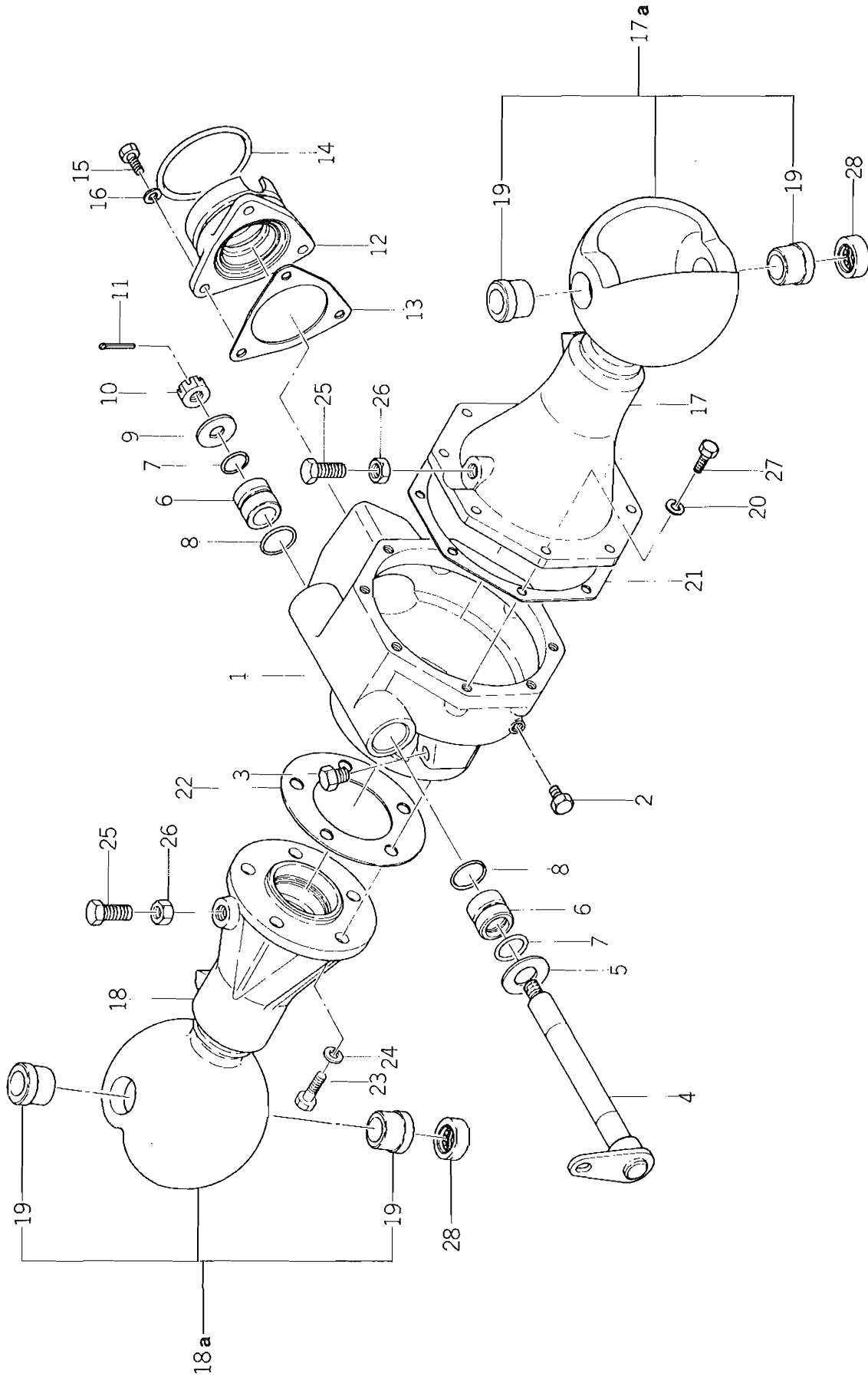


Ref No. Réf No.	Parts No. Pièces No.	Description Désignation	Model & Q'ty Modél & Quant				Remarks Remarques
			TX 1300	TX 1300 F	TX 1500	TX 1500 F	
44- 0-1	1429-411-2000-0	TIRE, F. ASSY Pneu av ensemble			2		
44- 0-1-1	1427-411-2000-0	TIRE, F. ASSY Pneu av ensemble	2				
44- 1	V888-144-0012-0	TIRE, F/4.00-12-4PR Pneu av			2		
44- 1-1	V888-124-5010-0	TIRE, F/4.50-10-2PR Pneu av	2				
44- 2	V889-004-0012-0	TUBE/4.00-12 Chambre			2		LOW LUG TIRE SET HIGH LUG TIRE SET
44- 2-1	V889-004-5010-0	TUBE/4.50-10 Chambre	2				
44- 3	V999-300-0010-0	CAP, TIRE VALVE Bouchon de valve	2		2		
44- 4	1429-411-2100-1	DRUM, WHEEL/300D×12 Tambour de foue			2		
44- 4-1	1427-411-2100-1	DRUM, WHEEL/300D×10 Tambour de foue	2				
44- 5	V201-261-2025-0	BOLT/M12×25 Vis	8		8		
44- 6	V401-160-0120-0	WASHER, SP/M12 Rondelle frein	8		8		
44- 7	1411-411-0020-0	CAP, WHEEL Chapeau	2		2		
44- 8	V200-260-6012-0	BOLT/M6×12 Vis	6		6		
44- 9	V401-160-0060-0	WASHER, SP/M6 Rondelle frein	6		6		
44-10	1411-411-0030-0	PACKING/PAPER Joint	2		2		
44-11	V500-153-0025-0	PIN, SPLIT/3×25 Goupille fendue	2		2		
44-12	V321-160-0120-0	NUT/SLOTTED/M12 Erou	2		2		
44-13	1325-930-1050-0	COLLAR Collier	2		2		
44-14	V600-110-6204-0	BEARING, RB/6204 Roulement	2		2		
44-15	1412-411-0010-0	BOSS, F. WHEEL Moyeu av	2		2		
44-16	V600-110-6205-0	BEARING, RB/6205 Roulement	2		2		
44-17	1407-403-0020-0	SEAL Joint	2		2		
44- 0-2	1427-332-2100-0	TIRE, TURF F. ASSY Pneu av ensemble	2		2		
44-18	1427-332-2200-1	DRUM, WHEEL Tambour gazon de roue	2		2		
44-19	1427-332-2110-0	TIRE, TURF/20×80-10 Pneu gazon	2		2		TURF TIRE SET
44-20	V999-300-0010-0	CAP, TIRE VALVE Bouchon de valve	2		2		
44-21	3560-103-3050-0	VALVE Valve	2		2		

Fig. 46

FRONT AXLE CASE SYSTEM

Boite de l'essieu avant

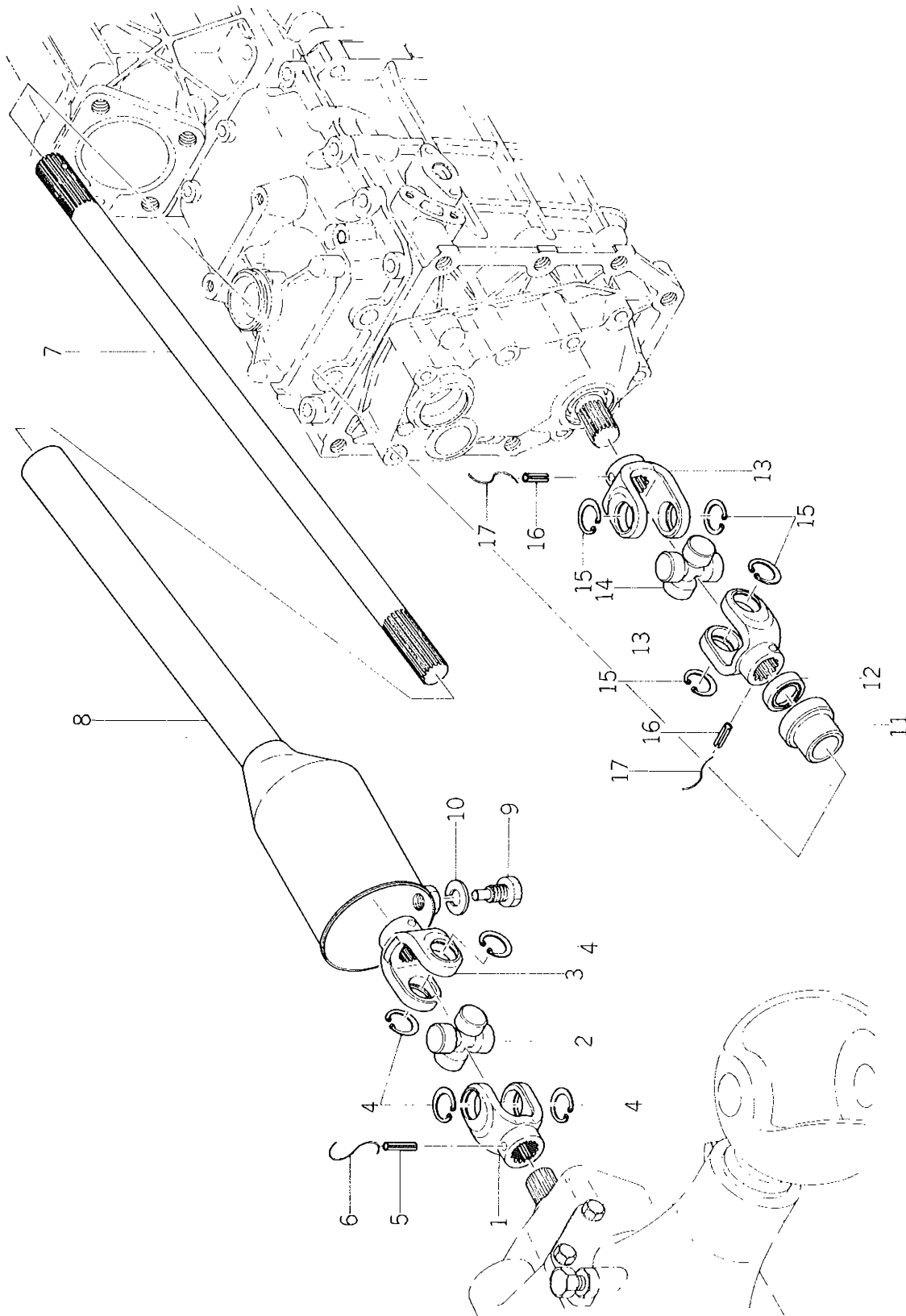


Ref N ^o .	Parts No.	Description	Model & Q'ty				Remarks
			Modél & Quant				
Réf N ^o .	Pièces No.	Désignation	TX 1300	TX 1300 F	TX 1500	TX 1500 F	Remarques
46- 1	1427-431-0011-0	CASE, BEVEL Carter de différentiel av		1		1	ⓑ { 1300F NO. 012662- 1500F NO. 006960-
46- 1a	1427-431-0012-0	CASE, BEVEL Carter de différentiel av		1		1	
46- 2	7955-201-0260-0	PLUG, DRAIN/1/4 Bouchon de vidange		1		1	
46- 3	1326-706-0020-0	PLUG, DRAIN / 1/4 Bouchon de vidange		1		1	
46- 4	1427-431-2000-0	PIVOT, CENTER Pivot d'essieu		1		1	
46- 5	V411-160-0200-0	WASHER/M20 Rondelle		1		1	
46- 6	1427-431-0020-0	BUSH/20×30×26 Coussinet		2		2	
46- 7	V720-102-4020-0	O-RING/P20 Joint torique		2		2	
46- 8	V721-103-1025-0	O-RING/G25 Joint torique		2		2	
46- 9	1427-431-0030-0	WASHER/13×32×3 Rondelle		1		1	
46-10	V321-160-0120-0	NUT, SLOTTED Ecroû a creneaux		1		1	
46-11	V500-153-0025-0	PIN, SPLIT/3×25 Goupille fendue		1		1	
46-12	1427-431-0060-0	METAL, PINION Palier		1		1	
46-13	1427-431-0070-0	PACKING/PAPER Joint		1		1	
46-14	V720-105-7071-0	O-RING/P71 Joint torique		1		1	
46-15	V201-260-8025-0	BOLT/M8×25 Vis		3		3	
46-16	V401-160-0080-0	WASHER, SP/M8 Rondelle frein		3		3	
46-17	1427-432-0080-0	HOUSING, AXLE LH Tube pont av g		1		1	
46-18	1427-432-0110-0	HOUSING, AXLE RH Tube pont av d		1		1	
46-17a	1427-432-2000-0	HOUSING, AXLE LH SET Tube pont av g		1		1	ⓑ { 1300F NO. 012662- 1500F NO. 006960-
46-18a	1427-432-2100-0	HOUSING, AXLE RH SET Tube pont av d		1		1	
46-19	1427-432-0140-0	BUSH/KINGPIN Coussinet de pivot		1		1	Washer 1300F Washer 1500F
46-20	V401-160-0080-0	WASHER, SP/M8 Rondelle frein		8		8	
46-21	1427-432-0090-0	PACKING/PAPER Joint de tube d		1		1	
46-22	1427-432-0120-0	PACKING/PAPER Joint de tube d		1		1	
46-23	V201-461-0030-0	BOLT/M10×30 Vis		5		5	
46-24	V401-260-0100-0	WASHER, SP/M10 Rondelle frein		5		5	
46-25	1427-432-0130-0	BOLT/M12 Vis		2		2	
46-26	V302-260-0120-0	NUT/M12 Ecroû		2		2	
46-27	V201-260-8025-0	BOLT/M8×25 Vis		8		8	
46-28	1427-433-0150-0	BEARING, TB/TAG20Z-1 Butec a billes		2		2	

Fig. 47

DRIVE SHAFT SYSTEM

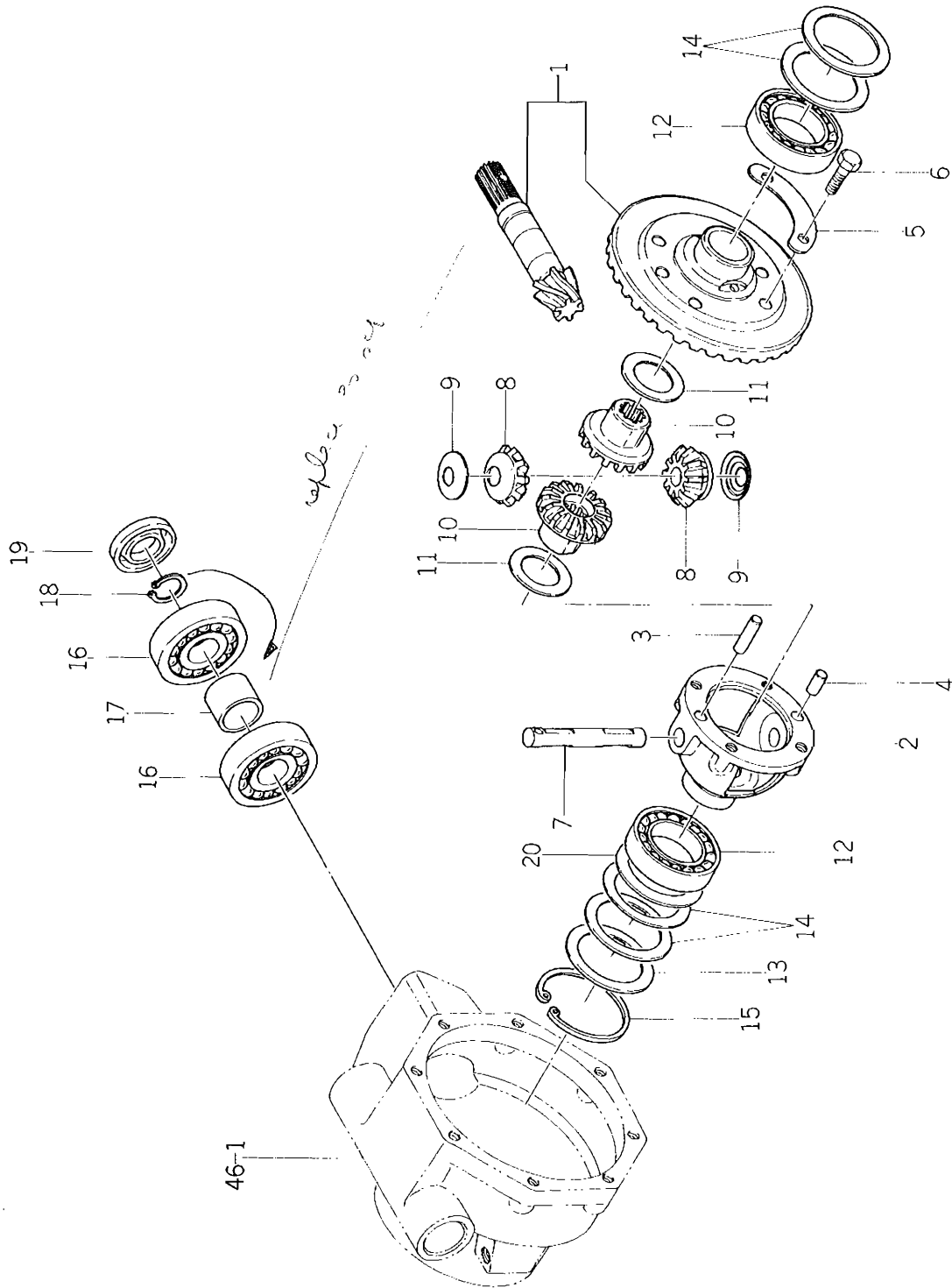
Demi arbre avant



Ref No. Réf No.	Parts No. Pièces No.	Description Désignation	Model & Q'ty Modél & Quant				Remarks Remarques
			TX 1300	TX 1300F	TX 1500	TX 1500F	
47- 0-1	1427-431-2100-0	JOINT (A) ASSY Cardan antérieur		1		1	TX1300F -NO. 015223 TX1500F -NO. 009684 2 assies used from TX1300F NO. 015223- TX1500F NO. 009684-
47- 1	1427-431-0080-0	·YOKE (A), SPLINE Fourche av		1		1	
47- 2	1427-431-0090-0	·JOINT, CROSS Croisillon		1		1	
47- 3	1427-431-0110-0	·YOKE (B), SPLINE Fourche ar		1		1	
47- 4	V705-140-0200-0	·RING, SNAP/C-TYPE 20 Collet d'axe		4		4	
47- 5	V580-140-6032-0	PIN, SPRING/6×32 W Gouille d'axe		1		1	
47- 6		WIRE/0.9×120 Fil		1		1	
47- 7	1429-431-0010-0	SHAFT, DRIVE Arbre de transmission				1	
47- 7-1	1427-431-0120-0	SHAFT, DRIVE (A) Arbre de transmission (a)		1			
47- 8	1427-431-2300-0	CASE, JOINT Tubo de poussee		1		1	
47- 9	1427-431-0130-0	BOLT, SET/M12×25 Vis de position		1		1	
47-10	V401-160-0120-0	WASHER, SP/M12 Rondelle frein		1		1	
47-11	1427-431-0140-0	BUSH/21 Coussinet		1		1	
47-12	V742-120-3205-0	SEAL, OIL/VC20325 Joint a levres		1		1	
47- 0-2	1427-431-2200-0	JOINT (B) ASSY Cardan pos		1		1	
47-13	1427-431-0110-0	·YOKE (B), SPLINE Fourche ar		2		2	
47-14	1427-431-0090-0	·JOINT, CROSS Croisillon		1		1	
47-15	V705-140-0200-0	·RING, SNAP/C-TYPE 20 Collet d'axe		4		4	
47-16	V580-140-6032-0	PIN, SPRING/6×32 W Gouille elastique		2		2	
47-17		WIRE/0.9×120 Fil		2		2	

Fig. 48

FRONT DIFFERENTIAL SYSTEM
Commande du differential avant

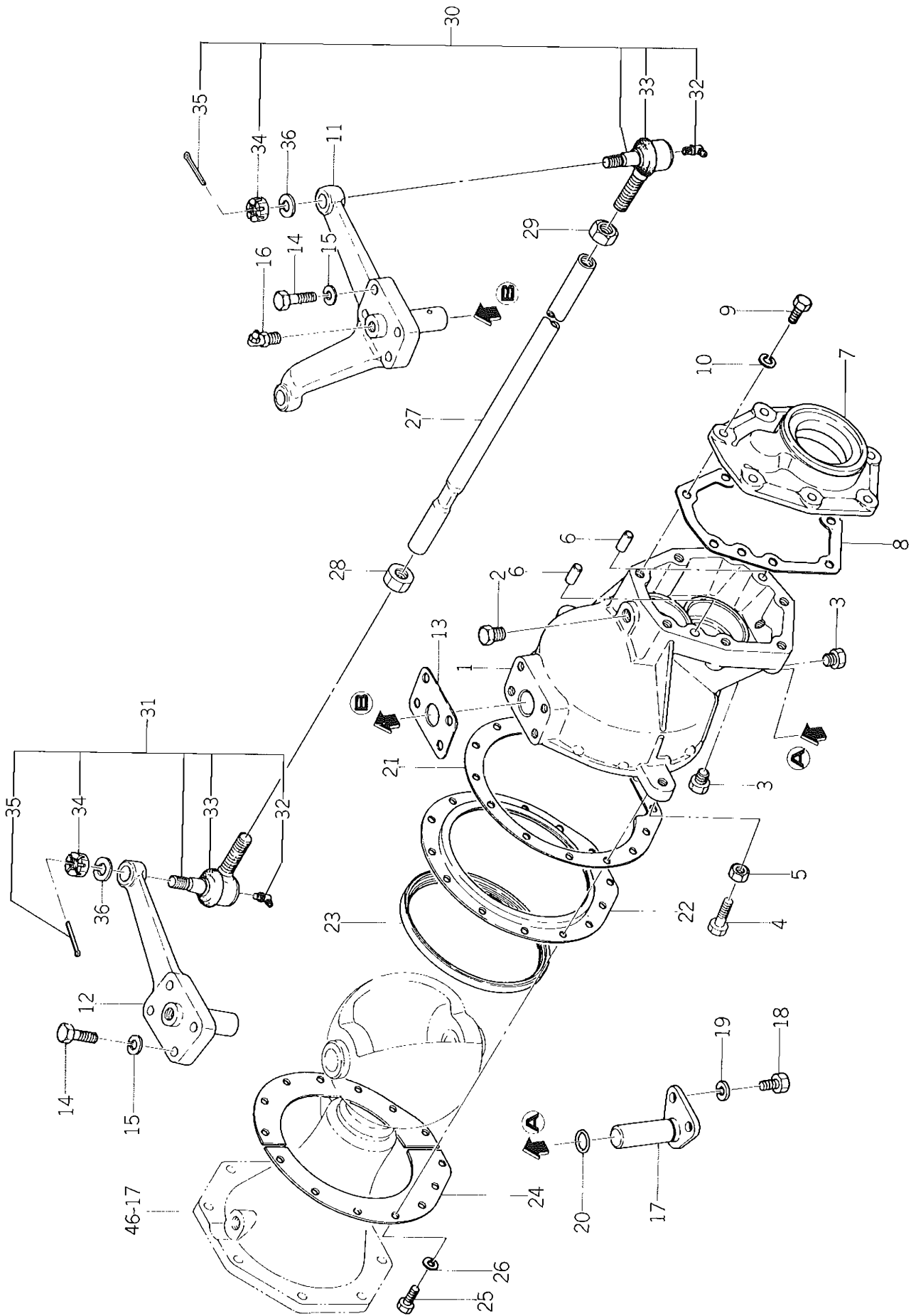


Ref No. Réf No.	Parts No. Pièces No.	Description Désignation	Model & Q'ty Modél & Quant				Remarks Remarques
			TX 1300	TX 1300F	TX 1500	TX 1500F	
X48-1	1427-431-3000-0 1427-043-2000-0	BEVEL SET/6.30 GEAR, (6)-DRIVE-SET Pignon d'attache		1		1	<p>© 1300F, 1500F info no. 82-02 (3/6) March 31, '82. Appl. p. with specified chassis no.: TX 1300F future parts see alt. sheet TX 1500F # 010973</p> <p>© 1300F, 1500F info no. 82-02 (3/6) March 31, '82 Appl. p. w. specif. chassis no. TX 1300F future parts TX 1500F # 010973</p> <p>Tech Info 050/81</p>
48-2	1427-432-0020-0	CASE, F. DIFF Boîtier de différentiel		1		1	
48-3	V521-100-8030-0	PIN, STRAIGHT (B)/8x30 Pion de centrage		1		1	
48-4	V521-100-8016-0	PIN, STRAIGHT (B)/8x16 Pion de centrage		1		1	
48-5	1427-301-0080-0	WASHER, LOCK Segment d'arrêt		2		2	
48-6	V201-460-8025-0	BOLT/M8x25 9T Vis		4		4	
48-7	1427-301-0030-0	SHAFT, DIFF-PINION Axes des satellites		1		1	
48-8	1427-432-0030-0	PINION, DIFF/11T Satellites		2		2	
48-9	1427-301-0050-0	COLLAR, PINION THRUST Coupelle de jeu		2		2	
48-10	1427-432-0040-0	GEAR, SIDE/15T Planétaire		2		2	
48-11	1427-432-0050-0	COLLAR, THRUST/30x45x1 Rondelle d'appui		2		2	
48-12	V600-110-6008-0	BEARING, RB/6008 Roulement		2		2	
48-13	1427-432-0060-0	SHIM (A) Rondelle d'épaisseur		AR		AR	
48-14	1427-432-0070-0	SHIM (B) Rondelle d'épaisseur		AR		AR	
48-15	V705-140-0680-0	RING, SNAP/C-TYPE 68 Collet d'axe		1		1	
48-16	1427-203-0080-0	BEARING, RB/6305-6 Roulement		2		2	
X48-17	1427-431-0051-0 1427-431-0050-0	COLLAR/26x32x23.25x32-22 Entretoise		1		1	
48-18	V704-140-0250-0	RING, SNAP/C-TYPE 25 Collet d'axe		1		1	
48-19	V744-125-4708-0	SEAL, OIL/TC25478 Joint à lèvres		1		1	
48-20	1427-432-0170-0	SHIM (C) Rondelle d'épaisseur		AR		AR	

Fig. 49

FRONT AXLE CASE AND KNUCKLE ARM SYSTEM

Pivot et axe d'accouplement



Ref N ^o .	Parts No.	Description	Model & Q'ty				Remarks
			Modél & Quant				
Ref N ^o .	Pièces No.	Désignation	TX 1300	TX 1300 F	TX 1500	TX 1500 F	Remarques
49- 1	1427-433-0010-0	CASE, F. GEAR Carter de reducteur		2		2	
49- 2	7955-201-0260-0	PLUG, DRAIN / 1/4 Bouchon de remplissage		2		2	
49- 3	1326-706-0020-0	PLUG, DRAIN Bouchon de vidange		4		4	
49- 4	1427-433-0020-0	BOLT/M10 Vis		4		4	
49- 5	V305-260-0100-0	NUT/M10 Ecrou		4		4	
49- 6	V521-100-8016-0	PIN (B), STRAIGHT/8×16 Pions de centrage		4		4	
49- 7	1427-433-0070-0	METAL, WHEEL Couvercle de reducteur		2		2	
49- 8	1427-433-0080-0	PACKING/PAPER Joint de couvercle		2		2	
49- 9	V201-260-8030-0	BOLT/M8×30 Vis		14		14	
49-10	V401-160-0080-0	WASHER, SP/M8 Rondelle frein		14		14	
49-11	1427-433-2100-0	ARM, KNUCKLE LH Levier de fusée g		1		1	
49-12	1427-433-2200-0	ARM, KNUCKLE RH Levier de fusée d		1		1	
49-13	1427-433-0130-0	PACKING/PAPER Joint		2		2	
49-14	V201-460-8035-0	BOLT/M8×35 9T Vis		8		8	
49-15	V401-160-0080-0	WASHER, SP/M8 Rondelle frein		8		8	
49-16	V761-400-0000-0	NIPPLE, GREASE Graisseur		2		2	
49-17	1427-433-2300-0	PIN, KING (B) Pivot de roue		2		2	
49-18	V201-260-8016-0	BOLT/M8×16 Vis		4		4	
49-19	V401-160-0080-0	WASHER, SP/M8 Rondelle frein		4		4	
49-20	1427-433-0140-0	O-RING/S18 Joint torique		2		2	
49-21	1427-433-0160-0	PACKING/PAPER Joint de couvercle		2		2	
49-22	1427-433-0170-0	PLATE (A), SEAL SET Collerette de genoux		2		2	
49-23	1427-433-0180-0	SEAL/134 Joint de collerette		2		2	
49-24	1427-433-0190-0	PLATE (B), SEAL SET Segments de genoux		4		4	
49-25	V200-260-6016-0	BOLT/M6×16 Vis		28		28	
49-26	V401-160-0060-0	WASHER, SP/M6 Rondelle frein		28		28	
49-27	1427-433-0210-0	ROD, TIE Barre d'accouplement		1		1	
49-28	1427-433-0220-0	NUT/M12 Ecrou		1		1	
49-29	1427-433-0230-0	NUT, LH: THREAD/M12 Ecrou (pas a gauche)		1		1	
49-30	1427-433-2400-0	END, TIE ROD LH ASSY Rotule g complet		1		1	
49-31	1427-433-2500-0	END, TIE ROD RH ASSY Rotule d complet		1		1	
49-32	1404-402-0050-0	NIPPLE, GREASE Graisseur		2		2	
49-33	1427-433-0250-0	COVER, DUST Capuchon		2		2	
49-34	V321-260-0100-0	NUT, SLOTTED/M10 Ecrrou a creneaux		2		2	
49-35	V500-152-5025-0	PIN, SPLIT/2.5×25 Goupille fendue		2		2	
49-36	V401-160-0100-0	WASHER, SP/M10 Rondelle frein		2		2	

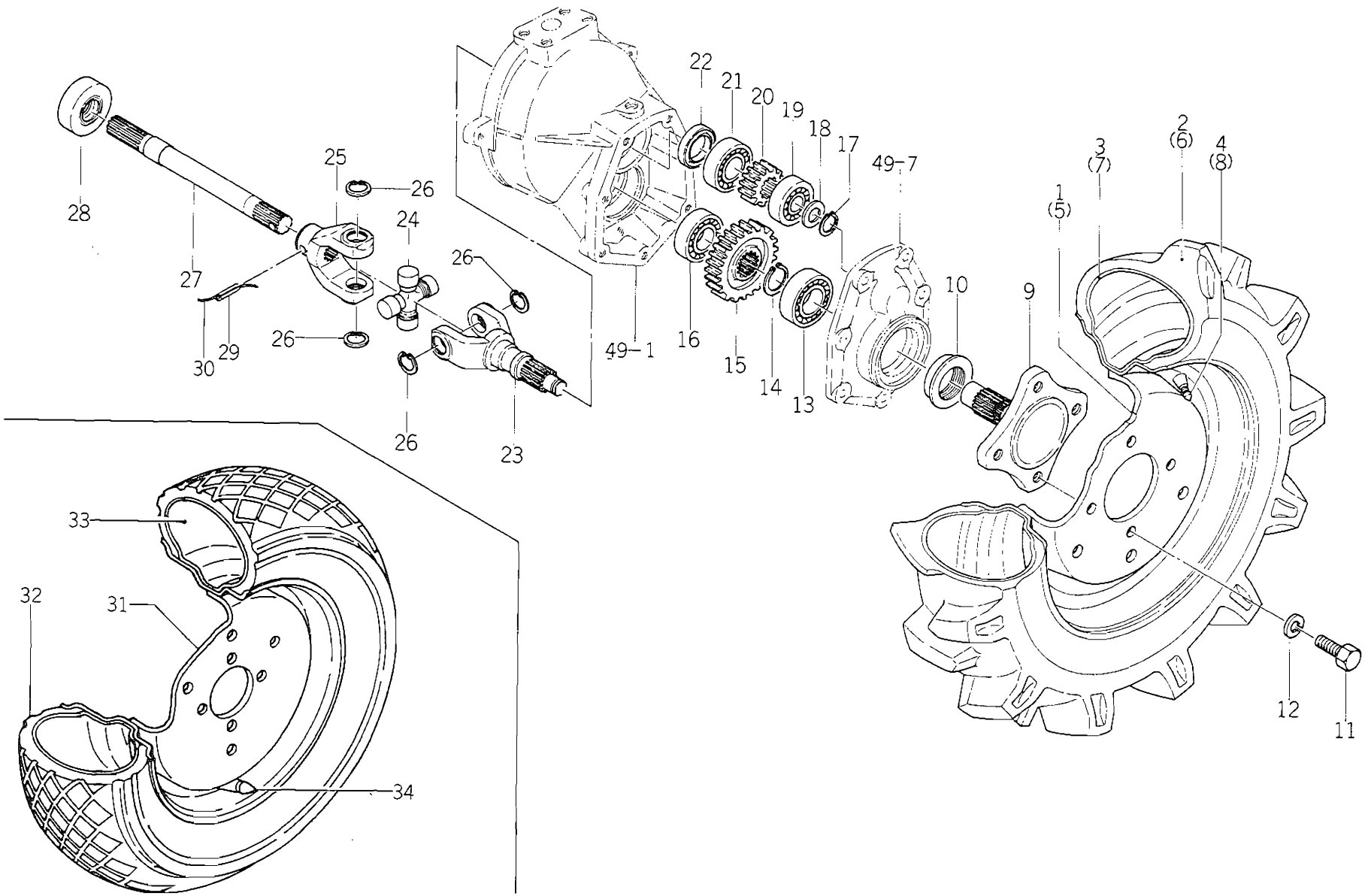


Fig. 50 FRONT WHEEL SYSTEM (4WD)
Janbe avant

Ref No. Réf No.	Parts No. Pièces No.	Description Désignation	Model & Q'ty Modél & Quant				Remarks Remarques
			TX 1300	TX 1300 F	TX 1500	TX 1500 F	
50- 0-1	1427-441-2000-0	TIRE, F. LH ASSY Roue av g ensemble		1		1	
X 50- 0-1a	1427-441-2001-0 1434-441-2000-0	TIRE, F. LH ASSY Roue av g ensemble		1		1	*(B) info. No. 21-16 (1/2) order 14, 21.
50- 1	1427-441-2100-1	·DRUM, WHEEL/300×12DC Jante		1		1	(B)
50- 2	V882-025-0012-0	·TIRE Pneu		1		1	1300F # 016079 1500F # 010901
X 50- 2a	1427-441-2010-0 1434-441-2010-0	·TIRE Pneu 5.00-124PR		1		1	*(B)
50- 3	V883-005-0012-0	·TUBE Chambre a air		1		1	
50- 4	V999-300-0010-0	·CAP, TIRE VALVE Bouchon de valve		1		1	LOW LUG TIRE SET 1300F NO. 005136- *... 1500F NO. 009524-
50- 0-2	1427-441-2200-0	TIRE, F. RH ASSY Roue av d ensemble		1		1	
X 50- 0-2a	1427-441-2201-0 1434-441-2100-0	TIRE, F. RH ASSY Roue av d ensemble		1		1	*(B)
50- 5	1427-441-2100-1	·DRUM, WHEEL/300×12DC Jante		1		1	
50- 6	V882-025-0012-0	·TIRE Pneu		1		1	
50- 6a	1427-441-2010-0 1434-441-2010-0	·TIRE Pneu 5.00-124PR		1		1	*(B)
50- 7	V883-005-0012-0	·TUBE Chambre a air		1		1	
50- 8	V999-300-0010-0	·CAP, TIRE VALVE Bouchon de valve		1		1	
50- 9	1427-433-0090-0	SHAFT, F. WHEEL Fusee		2		2	
50-10	1427-433-0110-0	SEAL, OIL/35 Joint de fusée		2		2	
50-11	V201-461-2020-0	BOLT/M12×20 9T Vis		8		8	
50-12	V401-160-0120-0	WASHER, SP/M12 Rondelle frein		8		8	
50-13	V600-110-6205-0	BEARING, RB/6205 Roulement		2		2	
50-14	V704-140-0300-0	RING, SNAP/C-TYPE 30 Collet d'axe		2		2	
50-15	1427-433-0120-0	GEAR, WHEEL/25T Pignon de fusée		2		2	
50-16	V600-110-6206-0	BEARING, RB/6206 Roulement		2		2	
50-17	V704-140-0150-0	RING, SNAP/C-TYPE 15 Collet d'axe		2		2	
50-18	1427-433-0060-0	COLLAR/15×26×1 Bague de butée		2		2	
50-19	V600-110-6204-0	BEARING, RB/6204 Roulement		2		2	
50-20	1427-433-0050-0	PINION, WHEEL/12T Pignon de cardan		2		2	
50-21	V600-110-6302-0	BEARING, RB/6302 Roulement		2		2	
50-22	V742-125-4005-0	SEAL, OIL/VC25405 Joint a levres		2		2	
50- 0-3	1427-433-2000-0	JOINT (C) ASSY Cardan		2		2	
50-23	1427-433-0030-0	·YOKE, SHAFT Fourche exterieur		2		2	
50-24	1427-431-0090-0	·JOINT, CROSS Croisillon		2		2	
50-25	1427-433-0040-0	·YOKE (C), SPLINE Fourche Interieure		2		2	
50-26	V705-140-0200-0	·RING, SNAP/C-TYPE 20 Collet d'axe		8		8	
50-27	1427-432-0150-0	SHAFT (B), DRIVE Arbre cannelé		2		2	
50-28	1427-432-0160-0	SEAL, OIL/21 Joint a levres		2		2	
50-29	V580-140-6032-0	PIN, SPRING/6×32 W Goupille elastique		2		2	
50-30		WIRE/0.9×120 Fil		2		2	
X 50- 0-4	1427-337-2100-0 1427-337-2101-0	TIRE, TURF ASSY Pneu gazon av ensemble		2		2	TURF TIRE SET (B) 1x 1300F # 016107

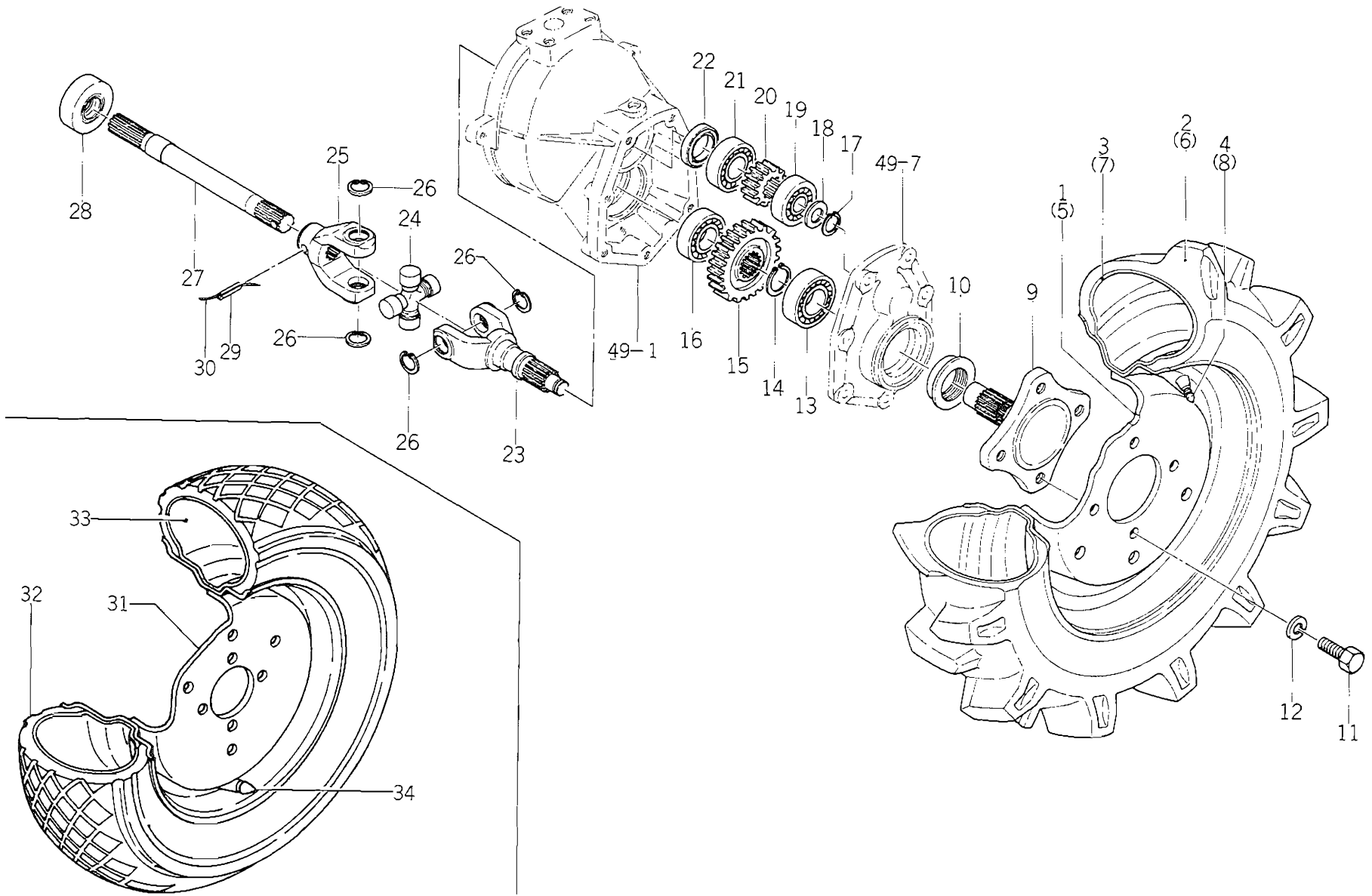
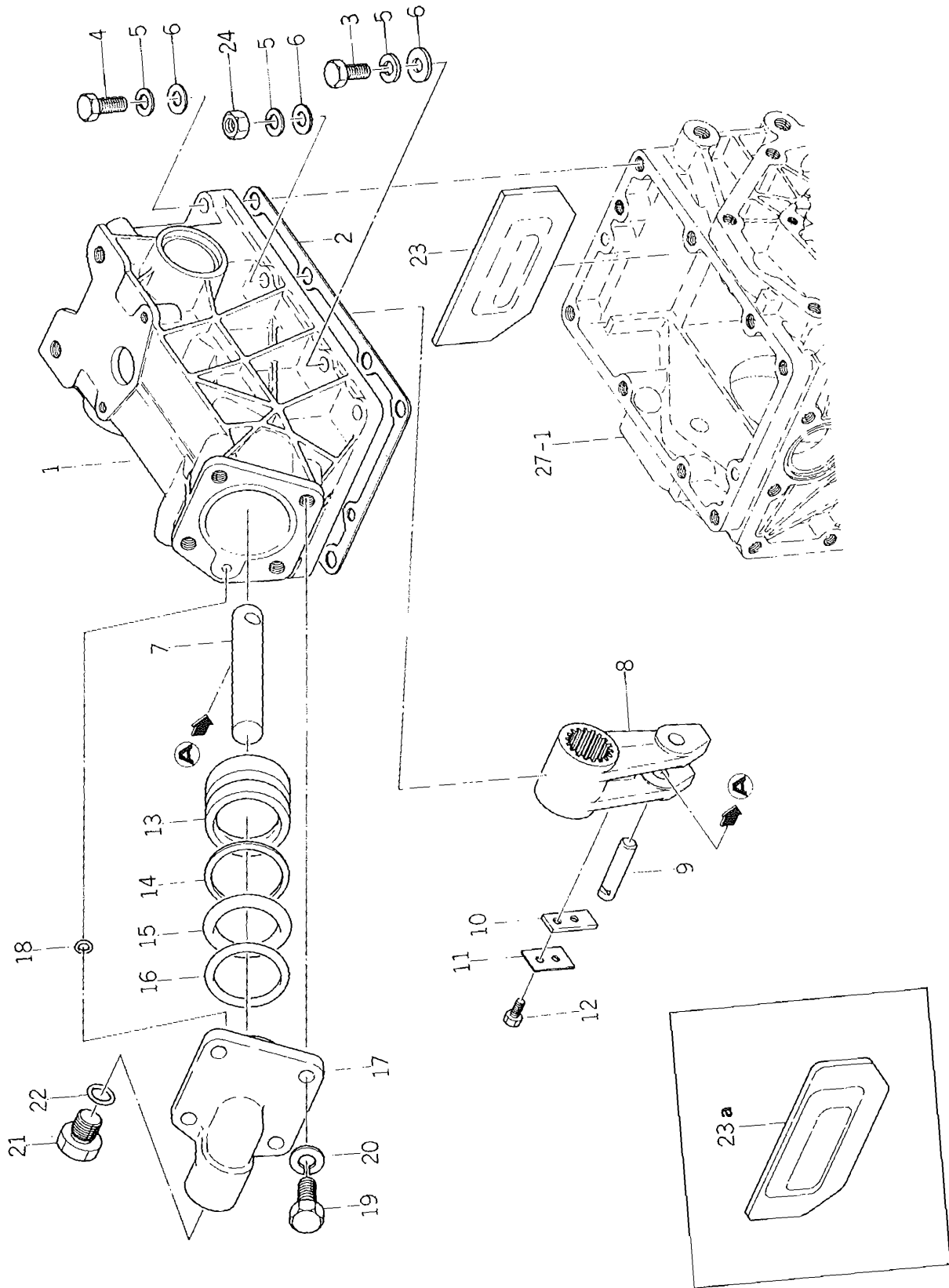


Fig. 50 FRONT WHEEL SYSTEM (4WD)
Jante avant

Ref N ^o .	Parts No.	Description	Model & Q'ty				Remarks
			Modél & Quant				
Réf N ^o .	Pièces No.	Désignation	TX 1300	TX 1300 F	TX 1500	TX 1500 F	Remarques
50-31	1427-337-2200-1	• DRUM, WHEEL/5JA-12 Tambour de roue		2		2	(3) info 2-15 (1/2) TURF TIRE SET 14. Oct 81. Ty 1300 F #016107 Ty 1500 F #010961.
γ50-32	1427-337-2110-0 1427-337-2111-0	• TIRE, TURF/AGS6-12FD Pneu gazon		2		2	
50-33	1427-337-2120-0	• TUBE/6-12 Chambre		2		2	
50-34	V999-300-0010-0	• CAP, TIRE VALVE Bouchon de valve		2		2	

Fig. 52

HYDRAULIC CYLINDER CASE SYSTEM
Mecanisme de relevage hydraulique

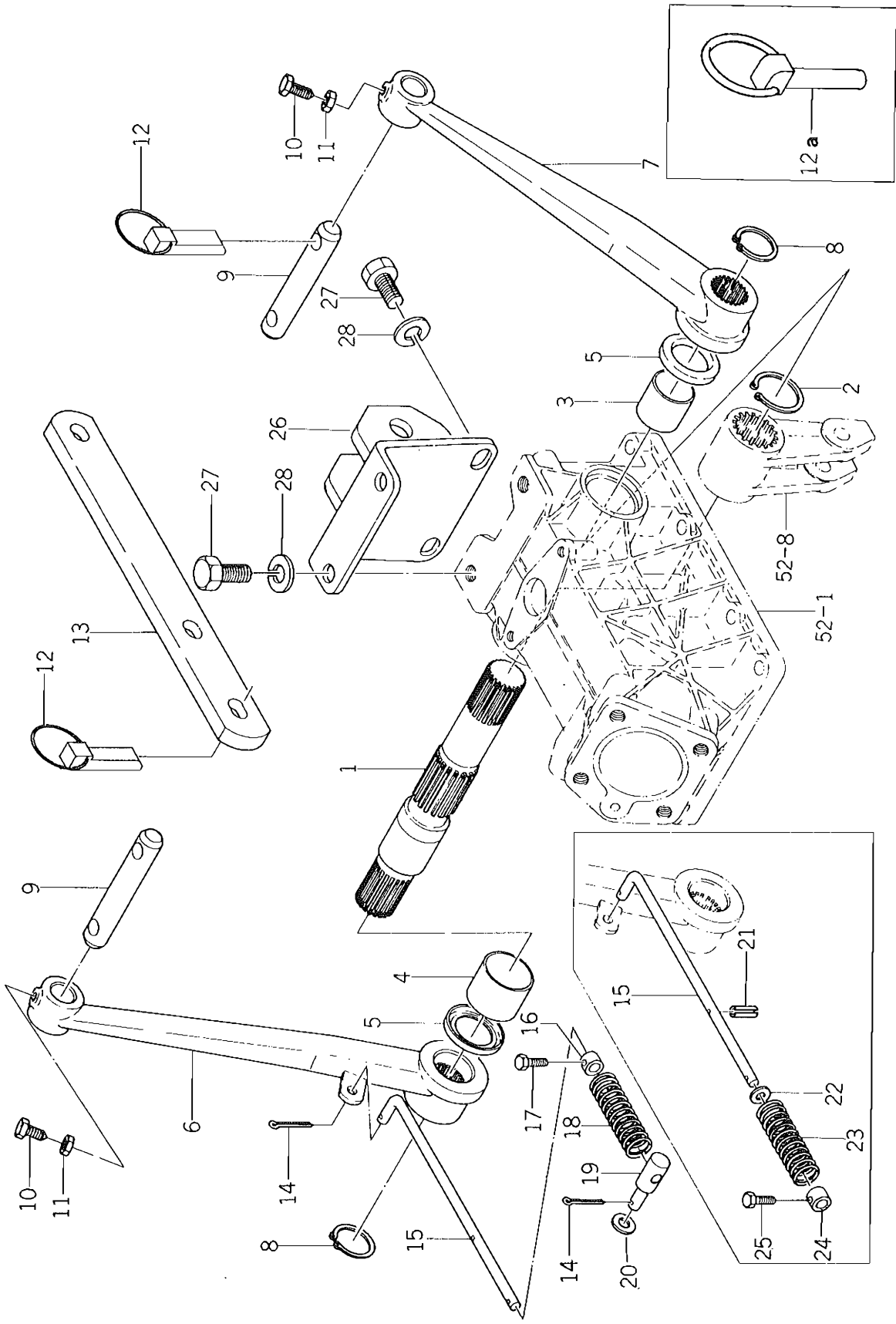


Ref No. Réf No.	Parts No. Pièces No.	Description Désignation	Model & Q'ty Modél & Quant				Remarks Remarques
			TX 1300	TX 1300F	TX 1500	TX 1500F	
52- 1	1427-501-0010-0	CASE, CYL Verin	1	1	1	1	
52- 2	1427-501-0040-0	PACKING/PAPER Joint	1	1	1	1	
52- 3	V201-261-0040-0	BOLT/M10×40 Vis	5	5	5	5	
52- 4	V201-261-0045-0	BOLT/M10×45 Vis	2	2	2	2	
52- 5	V401-160-0100-0	WASHER, SP/M10 Rondelle frein	9	9	9	9	
52- 6	V413-160-0100-0	WASHER/M10 Rondelle	9	9	9	9	
52- 7	1427-503-0021-0	ROD Tige	1	1	1	1	
52- 8	1427-502-0020-0	CRANK, LIFT Chape	1	1	1	1	
52- 9	1427-503-0031-0	PIN, ROD Axe de tige	1	1	1	1	
52-10	1427-503-0040-0	PLATE (A), SET Plaque	1	1	1	1	
52-11	1427-503-0050-0	PLATE (B), SET Plaque	1	1	1	1	
52-12	V200-260-6016-0	BOLT/M6×16 Vis	2	2	2	2	
52-13	1427-503-0010-0	PISTON Piston	1	1	1	1	
52-14	1414-503-0040-0	RING, BACK-UP/P50A Rondelle de recul	1	1	1	1	
52-15	1414-503-0030-0	O-RING/P50A Joint torique	1	1	1	1	
52-16	V721-113-1055-0	O-RING/G55 Joint torique	1	1	1	1	
52-17	1427-501-0050-0	HEAD, CYL Culasse	1	1	1	1	
52-18	V720-112-4012-0	O-RING/P12 Joint torique	1	1	1	1	
52-19	V201-261-2035-0	BOLT/M12×35 Vis	4	4	4	4	
52-20	V401-160-0120-0	WASHER, SP/M12 Rondelle frein	4	4	4	4	
52-21	1427-501-0060-0	PLUG Bouchon	1	1	1	1	
52-22	V720-102-4018-0	O-RING/P18 Joint torique	1	1	1	1	
52-23	1427-502-0040-0	STOPPER, CRANK Butée de chape	1	1	1	1	
52-23a	1434-502-0030-0	STOPPER, CRANK Butée de chape	1	1	1	1	(B) { 1300 NO. 103560- 1300F NO. 015224- 1500 NO. 104280- 1500F NO. 009685-
52-24	V303-260-0100-0	NUT/M10 Erou	2	2	2	2	

Fig. 53

LIFT ARM SYSTEM

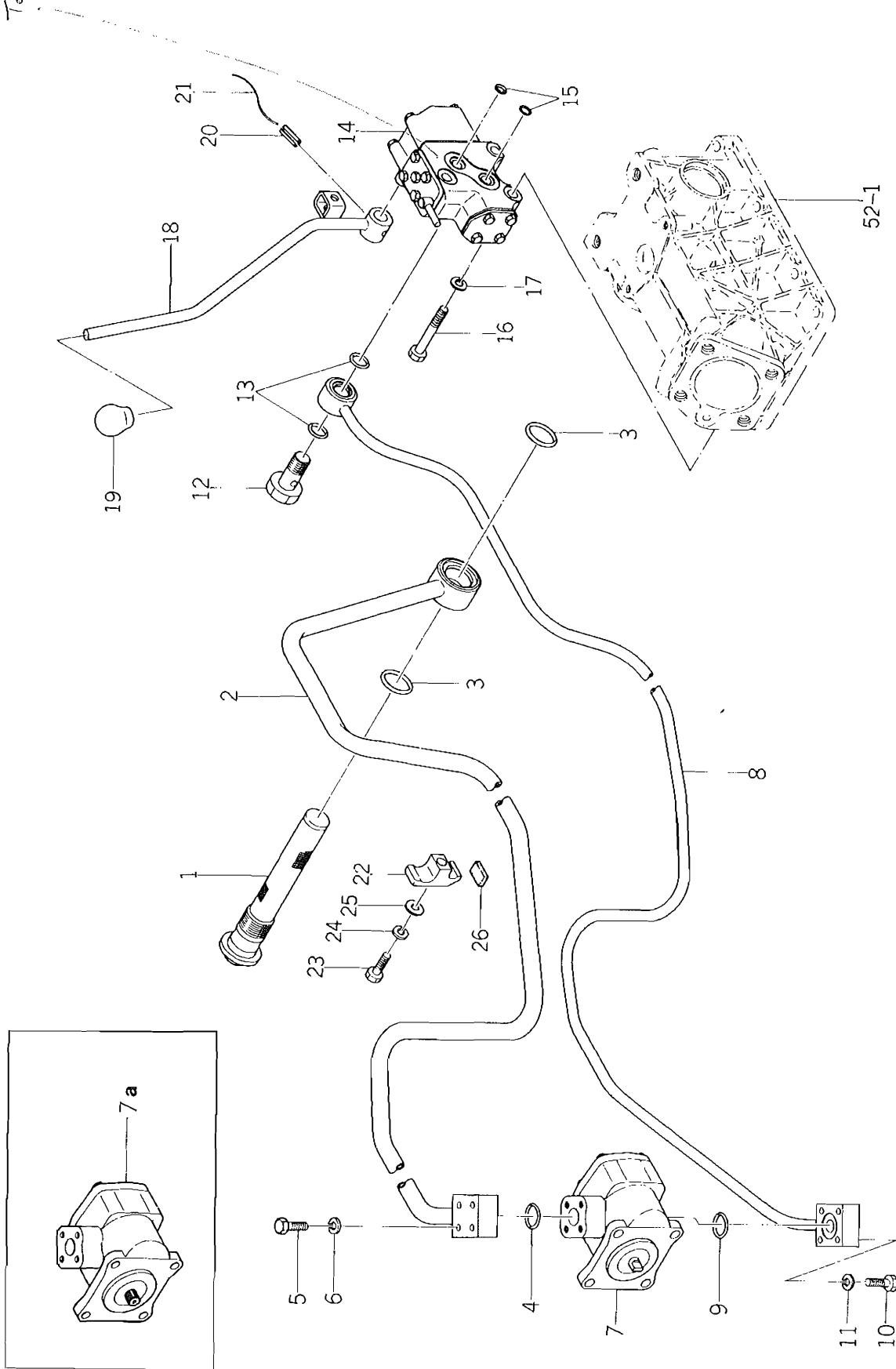
Relevage bras



Ref N ^o .	Parts No.	Description	Model & Q'ty Modèle & Quant				Remarks Remarques
			TX 1300	TX 1300 F	TX 1500	TX 1500 F	
Réf N ^o .	Pièces No.	Désignation					
53- 1	1427-502-0010-0	SHAFT, LIFT Arbre de relevage	1	1	1	1	
53- 2	V704-140-0350-0	RING, SNAP/C-TYPE 35 Collet d'axe	1	1	1	1	
53- 3	1427-501-0020-0	BUSH/30×34×30 Cousinnet	1	1	1	1	
53- 4	1427-501-0030-0	BUSH/35×59×30 Cousinnet	1	1	1	1	
53- 5	V742-130-4506-0	SEAL, OIL/VC30456 Joint à lèvres	2	2	2	2	
53- 6	1427-502-2000-0	ARM, LIFT RH Bras de relevage d	1	1	1	1	
53- 7	1427-502-2010-0	ARM, LIFT LH Bras de relevage g	1	1	1	1	
53- 8	V704-140-0300-0	RING, SNAP/C-TYPE 30 Collet d'axe	2	2	2	2	
53- 9	1427-502-0030-0	PIN, LIFT ARM Axe de bras	2	2	2	2	
53-10	1404-502-0130-0	BOLT/W BOLT/M8×25 Vis	2	2	2	2	
53-11	V302-260-0080-0	NUT/M8 Ecrou	2	2	2	2	
53-12	1402-500-9010-0	PIN, LINK/LARGE Goupille	6	6	6	6	
53-12a	1421-502-0020-0	PIN, LINK Goupille	6	6	6	6	Ⓐ
53-13	1414-502-0040-0	STAY, LIFT LOCK Appui de verrou	2	2	2	2	
53-14	V500-152-0018-0	PIN, SPLIT/2×18 Goupille fendue	2	2	2	2	
53-15	1427-502-0050-0	ROD, VALVE RETURN Tige	1	1	1	1	
53-16	1421-502-0010-0	NUT, ADJUST Ecrou	1	1	1	1	
53-17	V201-260-8018-0	BOLT/M8×18 Vis	1	1	1	1	
53-18	1338-701-0060-0	SPRING, PRESS/45 Ressort	1	1	1	1	
53-19	1404-117-0020-0	NIPPLE, ROD (B) Raccord	1	1	1	1	
53-20	V413-160-0080-0	WASHER/M8 Rondelle	1	1	1	1	
53-21	1414-701-0050-0	PIN, SPRING Goupille elastique	1	1	1	1	★
53-22	V413-160-0080-0	WASHER/M8 Rondelle	1	1	1	1	★
53-23	1338-701-0060-0	SPRING, PRESS/45 Ressort	1	1	1	1	★
53-24	1421-502-0010-0	NUT, ADJUST/M8 Ecrou	1	1	1	1	★
53-25	V201-260-8018-0	BOLT/M8×18 Vis	1	1	1	1	★
X53-26	1427-201-2201-0 1427-201-2100-0	BRACKET, LINK Attache de tirant	1	1	1	1	info n° 81-40 (1/1) Dec. 26, '81.
53-27	V201-261-2025-0	BOLT/M12×25 Vis	4	4	4	4	
53-28	V401-160-0120-0	WASHER, SP/M12 Rondelle frein	4	4	4	4	

26-021
Tech info 86-147

Fig. 54 HYDRAULIC PIPING SYSTEM
Hydraulique tuyautage

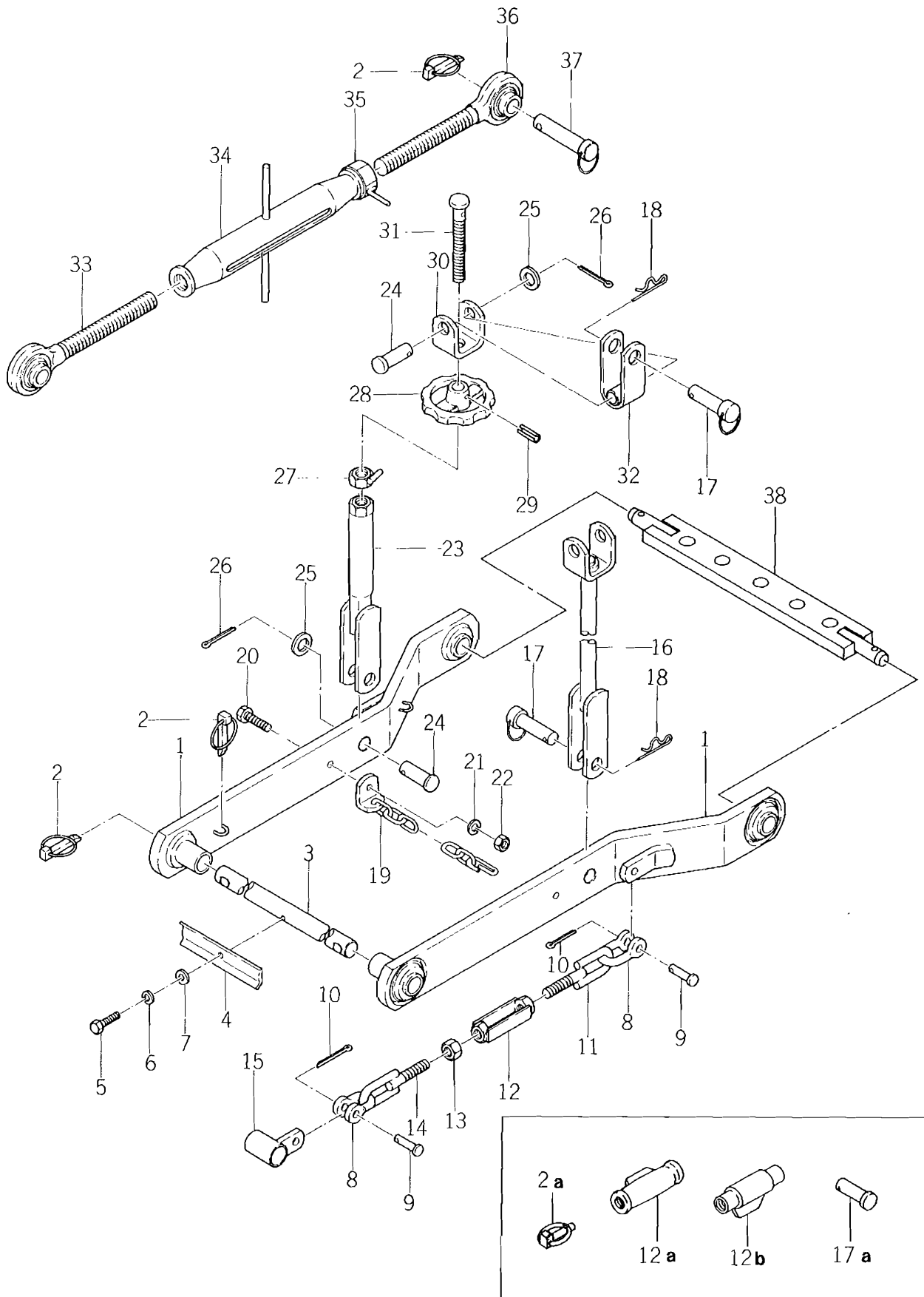


Ref No. Réf No.	Parts No. Pièces No.	Description Désignation	Model & Q'ty Modél & Quant				Remarks Remarques
			TX 1300	TX 1300 F	TX 1500	TX 1500 F	
54- 1	1427-503-0060-0	FILTER, SUCTION Crepine aspirante	1	1	1	1	
54- 2	1427-503-2201-0	PIPE, SUCTION Tubulure d'aspiration	1	1	1	1	
54- 2a	1427-503-2202-0	PIPE, SUCTION Tubulure d'aspiration	1	1	1	1	※
54- 3	V720-103-5028-0	O-RING/P28 Joint torique	2	2	2	2	
54- 4	V720-102-4020-0	O-RING/P20 Joint torique	1	1	1	1	
54- 5	V200-260-6035-0	BOLT/M6 × 35 Vis	4	4	4	4	
54- 6	V401-160-0060-0	WASHER, SP/M6 Rondelle frein	4	4	4	4	
54- 7	1427-503-2000-0	PUMP, GEAR ASSY Pompe complet	1	1	1	1	
54- 7a	1434-503-2000-0	PUMP, GEAR ASSY Pompe complet	1	1	1	1	※
54- 8	1427-503-2300-0	PIPE, DELIVERY Tubulure de refoulement	1	1	1	1	(D) { 1300 NO. 102902-103420 1300F NO. 011006-014223 1500 NO. 103152-104154 1500F NO. 004960-008819
54- 8a	1427-503-2301-0	PIPE, DELIVERY Tubulure de refoulement	1	1	1	1	
54- 8b	1427-503-2302-0	PIPE, DELIVERY Tubulure de refoulement	1	1	1	1	※
54- 9	V720-102-4020-0	O-RING/P20 Joint torique	1	1	1	1	
54-10	V200-260-6030-0	BOLT/M6 × 30 Vis	4	4	4	4	
54-11	V401-160-0060-0	WASHER, SP/M6 Rondelle frein	4	4	4	4	
54-12	1415-505-0140-0	BOLT, CONNECTOR / 3/8 × 35 Vis raccord	1	1	1	1	
54-13	V720-102-4018-0	O-RING/P18 Joint torique	2	2	2	2	
54-14	1427-503-2100-0	VALVE, CONTROL ASSY Distributeur hydraulique	1	1	1	1	
54-15	V720-112-4012-0	O-RING/P12 Joint torique	2	2	2	2	
54-16	V201-260-8055-0	BOLT/M8 × 55 Vis	3	3	3	3	
54-17	V401-160-0080-0	WASHER, SP/M8 Rondelle frein	3	3	3	3	
54-18	1427-503-2400-0	LEVER, CONTROL Lever de commande	1	1	1	1	
54-19	1414-117-0040-0	KNOB, LEVER/30 Pommesaux	1	1	1	1	
54-20	V580-140-6028-0	PIN, SPRING/6 × 28 W Goupille elastique	1	1	1	1	
54-21		WIRE/0.9 × 70 Fil	1	1	1	1	
54-22	1427-503-0071-0	CLAMPER, PIPE Serre tube	1	1	1	1	
54-23	V201-260-8040-0	BOLT/M8 × 40 Vis	1	1	1	1	
54-24	V401-160-0080-0	WASHER, SP/M8 Rondelle frein	1	1	1	1	
54-25	V413-160-0080-0	WASHER/M8 Rondelle	1	1	1	1	
54-26	1427-503-0080-0	RUBBER, CUSHION Cale	1	1	1	1	
							1300 NO. 103421- 1300F NO. 014224- ※ 1500 NO. 104155- 1500F NO. 008820-

Fig. 55

3 POINT LINK SYSTEM

Attelage trois point

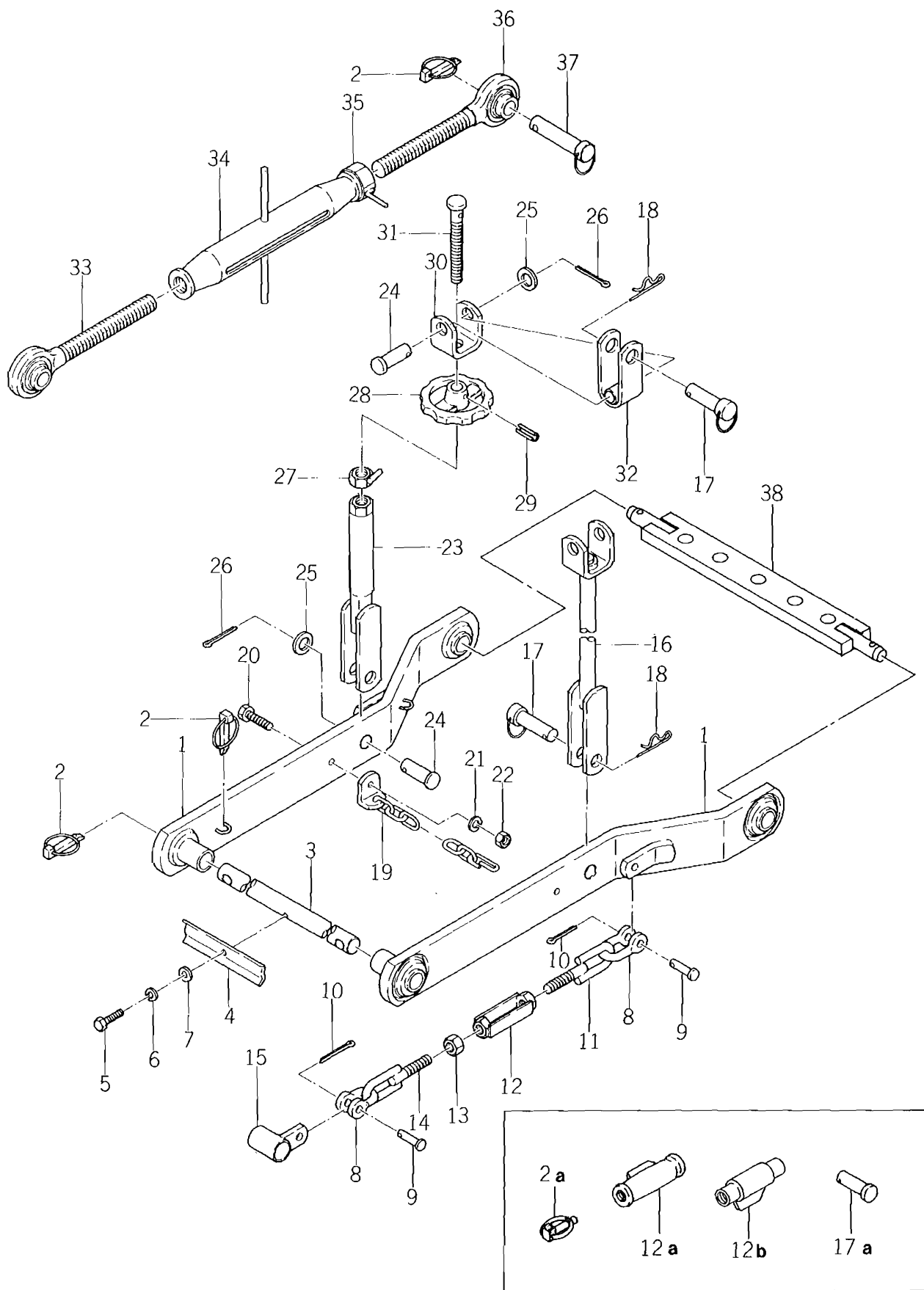


Ref No. Réf No.	Parts No. Pièces No.	Description Désignation	Model & Q'ty Modél & Quant				Remarks Remarques
			TX 1300	TX 1300F	TX 1500	TX 1500F	
55- 0-1	1427-511-0000-0	LINK, 3P ASSY Attache 3 points ensemble	1	1	1	1	Option for E10, 11, 12
55- 1	1427-511-2000-0	·LINK, LW Prolonge	2	2	2	2	
55- 2	1402-500-9010-0	·PIN, LINK/LARGE SET Goupille	6	6	6	6	
55- 2a	1421-502-0020-0	·PIN, LINK Goupille	6	6	6	6	Ⓐ
55- 3	1427-511-0061-0	·PIN, LW LINK Entretoise	1	1	1	1	
55- 4	1427-511-0071-0	·PLATE, SET Bande	1	1	1	1	
55- 5	V200-460-8025-0	·BOLT/M8×25 9T Vis	1	1	1	1	
55- 6	V401-160-0080-0	·WASHER, SP/M8 Rondelle frein	1	1	1	1	
55- 7	V413-160-0080-0	·WASHER/M8 Rondelle	1	1	1	1	
55- 8	1427-511-0020-0	·SHACKLE Manille	4	4	4	4	
55- 9	1427-511-0010-0	·PIN/10×32 Goupille	4	4	4	4	
55-10	V500-152-5020-0	·PIN, SPLIT/2.5×20 Goupille fendue	4	4	4	4	
55-11	1427-511-2200-0	·CHAIN, RH CHECK Organeau d	2	2	2	2	
55-12	1427-511-2300-0	·TURN-BUCKLE/M12 Ridoir	2	2	2	2	
55-12a	1427-511-0080-0	·TURN-BUCKLE/M12 Ridoir	2	2	2	2	Ⓐ
55-12b	1427-511-3200-0	·TURN-BUCKLE/M12 Ridoir	2	2	2	2	Ⓐ
55-13	V302-260-0120-0	·NUT/M12 Erou	2	2	2	2	Ⓐ
55-14	1427-511-2100-0	·CHAIN, LH CHECK Organeau g	2	2	2	2	1300 NO. 103632- 1300F NO. 015846- 1500 NO. 104317- 1500F NO. 010304-
55-15	1427-511-2400-0	·HOLDER, CHAIN Tenon de manille	2	2	2	2	
55-16	1427-511-2700-0	·ROD, LH LIFT Chape relevage g	1	1	1	1	
55-17	1404-500-9050-0	·PIN, LIFT ROD SET Axe de chape	2	2	2	2	
55-17a	1423-520-0010-0	·PIN/16×70 Goupille	2	2	2	2	Ⓑ
55-18	1305-931-0030-0	·PIN, HAIR Attache beta	2	2	2	2	
55-19	1427-511-3100-0	·CHAIN, LW LINK Chaîne du 3 points	2	2	2	2	
55-20	V201-260-8030-0	·BOLT/M8×30 Vis	2	2	2	2	
55-21	V401-160-0080-0	·WASHER, SP/M8 Rondelle frein	2	2	2	2	
55-22	V300-260-0080-0	·NUT/M8 Erou	2	2	2	2	
55-23	1427-511-2900-0	·ROD, LIFT Chape de relevage d	1	1	1	1	
55-24	1427-511-0050-0	·PIN, KNOCK/16×44 Goupille	2	2	2	2	
55-25	V413-160-0160-0	·WASHER/M16 Rondelle	2	2	2	2	
55-26	V500-154-0025-0	·PIN, SPLIT/4×25 Goupille fendue	2	2	2	2	
55-27	1427-511-2800-0	·NUT, LOCK/16 Contre ecrou	1	1	1	1	
55-28	1427-511-0040-0	·HANDLE, ADJ Poignée	1	1	1	1	
55-29	V580-140-5030-0	·PIN, SPRING/5×30 Goupille elastique	1	1	1	1	
55-30	1427-511-2730-0	·FORK Cavalier	1	1	1	1	
55-31	1427-511-0030-0	·SCREW, ADJ Vis de réglage	1	1	1	1	
55-32	1427-511-3000-0	·FORK, BKT Fourche	2	2	2	2	
55-33	1427-511-2500-0	·LINK, TOP LH THREAD Vis g de tirant	1	1	1	1	

Fig. 55

3 POINT LINK SYSTEM

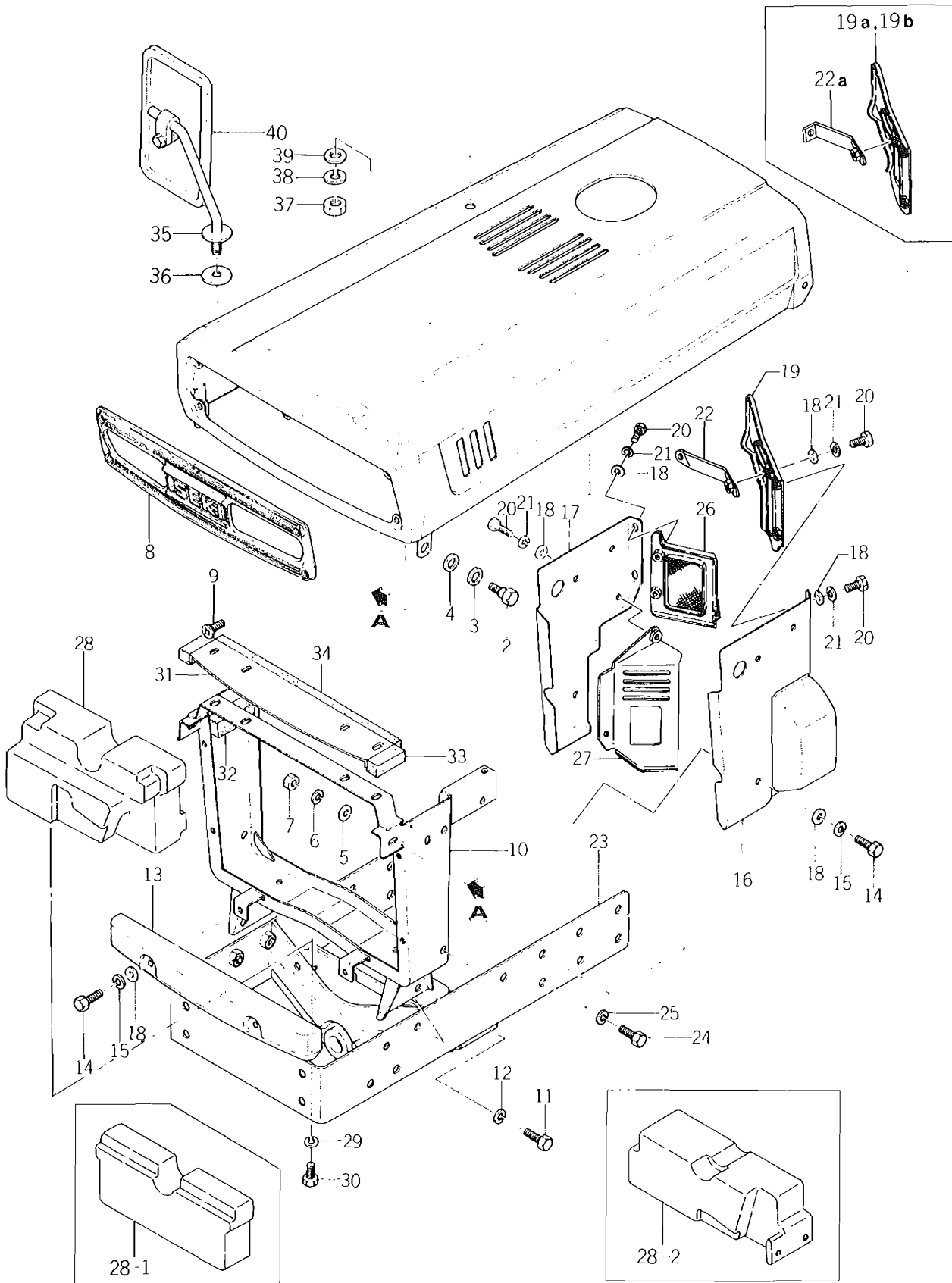
Attelage trois point



Ref No. Réf No.	Parts No. Pièces No.	Description Désignation	Model & Q'ty Modél & Quant				Remarks Remarques	
			TX 1300	TX 1300F	TX 1500	TX 1500F		
56- 1	1427-601-2000-1 1427-601-2001-1	BONNET Capot	1	1	1	1	PARTS INFO MAR 13, 81 (B)	
56- 2	1427-601-0010-0	BOLT, HINGE Vis	2	2	2	2		
56- 3	1427-601-0030-0	WASHER/15×24×2 Rondelle	2	2	2	2		
56- 4	1427-601-0020-0	RUBBER, CUSHION Cale	2	2	2	2		
56- 5	V413-160-0100-0	WASHER/M10 Rondelle	2	2	2	2		
56- 6	V401-160-0100-0	WASHER, SP/M10 Rondelle frein	2	2	2	2		
56- 7	V300-260-0100-0	NUT/M10 Ecrou	2	2	2	2		
56- 8	1427-601-0070-0	GRILLE, LIGHT Porte de phares	1	1	1	1		for E10, 11, 12, 40, 41, 42, 43
56- 8-1	1427-605-0010-0	GRILLE, LIGHT Porte de phares	1	1	1	1		for E20, 21, 22, 50, 51, 52
56- 9	V112-166-0016-0	SCREW/M6×16 Vis	5	5	5	5		
56-10	1427-602-2002-0	SUPPORT, BONNET Support	1	1	1	1	(B) { 1300 NO. 103151- 1300F NO. 013254- 1500 NO. 103888- 1500F NO. 007504-	
56-10a	1427-602-2003-0	SUPPORT, BONNET Support	1	1	1	1		
56-11	V201-261-0025-0 V201-261-0020-0	BOLT/M10×25 Vis	4	4	4	4	(A) PARTS INFO. MAR 13, 81	
56-12	V401-160-0100-0	WASHER, SP/M10 Rondelle frein	4	4	4	4		
56-13	1427-601-0060-0	MASK, F. Traverse av	1	1	1	1		
56-14	V201-260-8016-0	BOLT/M8×16 Vis	8	8	8	8		
56-15	V401-160-0080-0	WASHER, SP/M8 Rondelle frein	8	8	8	8		
56-16	1427-601-2101-0	COVER, SIDE LH Joue g (6 pour les joues)	1	1	1	1		
56-17	1427-601-0041-0	COVER, SIDE RH Joue d	1	1	1	1		
56-18	V413-160-0080-0	WASHER/M8 Rondelle	14	14	12	12		
56-19	1427-601-2301-0	COVER, FAN Grille de ventilateur	1	1	1	1	(C) { 1300 NO. 103332- 1300F NO. 013801- 1500 NO. 104114- 1500F NO. 008236-	
56-19a	1427-601-2700-0	COVER, FAN (B) Grille de ventilateur	1	1	1	1		
56-19b	1427-601-2701-0	COVER, FAN (B) Grille de ventilateur	1	1	1	1		
56-20	V201-260-8016-0	BOLT/M8×16 Vis	6	6	6	6		
56-21	V401-160-0080-0	WASHER, SP/M8 Rondelle frein	6	6	6	6		
56-22	1427-601-2401-0	STAY, COVER Bride de grille	1	1	1	1	(C) { 1300 NO. 103151- 1300F NO. 013254- 1500 NO. 103883- 1500F NO. 007349-	
56-22a	1427-601-2402-0	STAY, COVER Bride de grille	1	1	1	1		
56-23	1429-402-2001-0	FRAME, F. Chassis av			1	1		
56-23-1	1427-402-2001-0	FRAME, F. Chassis av	1	1				
56-24	V203-461-2030-0	BOLT/M12×30 9T Vis	8	8	8	8		
56-25	V401-160-0120-0	WASHER, SP/M12 Rondelle frein	8	8	8	8		
56-26	1427-601-2500-0	COVER (A), FAN Couvercle	1	1	1	1		
56-27	1427-601-2600-0	COVER, SUB Sous-cache	1	1	1	1		
56-28	1429-404-0012-0	WEIGHT, FRAME/19 Contrepoids			1			
56-28-1	1429-402-0013-0	WEIGHT, FRAME/8 Contrepoids				1		
56-28-2	1427-404-0011-0	WEIGHT, FRAME/12 Contrepoids	1					
56-29	V401-160-0100-0	WASHER, SP/M10 Rondelle frein			2	2		
56-29-1	V401-160-0120-0	WASHER, SP/M12 Rondelle frein	4					

Fig. 56

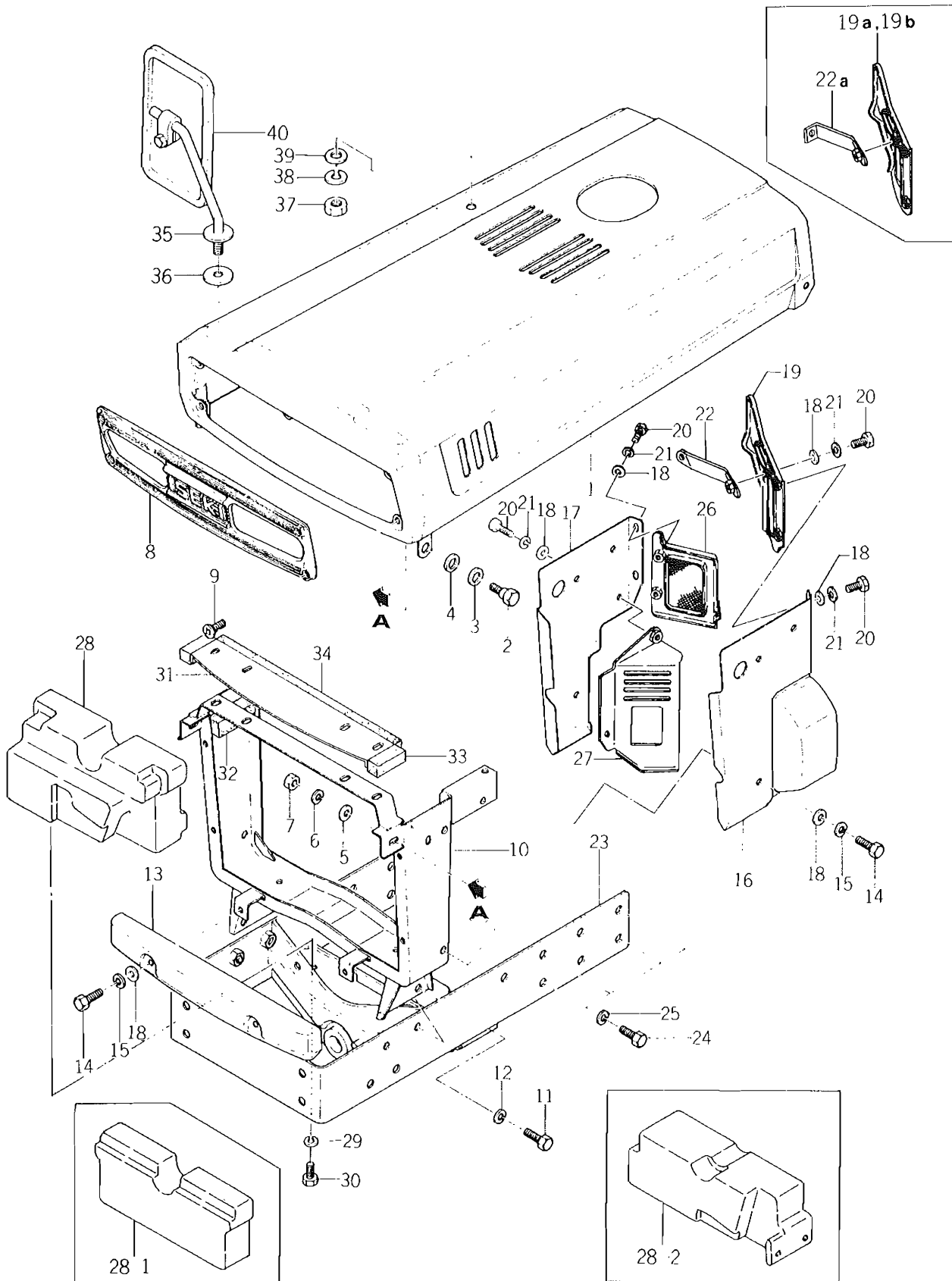
BONNET AND FRONT FRAME SYSTEM
Carenage



Ref No. Réf No.	Parts No. Pièces No.	Description Désignation	Model & Q'ty Modél & Quant				Remarks Remarques
			TX 1300	TX 1300 F	TX 1500	TX 1500 F	
Y 55-34	1416-511-5000-0 1444-514-2300-0	·TURN-BUCKLE Tendeur de tirant	1	1	1	1	(A) PARTS INFO MAR. 13, 81.
55-35	1402-511-6000-0	·NUT, TOP LINK LOCK Frein de tendeur	1	1	1	1	
55-36	1427-511-2600-0	·LINK, TOP RH THREAD Vis d de tirant	1	1	1	1	
55-37	1402-500-9040-0	·PIN, TOP LINK/SHORT SET Broche de tirant	2	2	2	2	
55-38	1427-512-2000-0	·BAR, TOOL	1	1	1	1	

Fig. 56

BONNET AND FRONT FRAME SYSTEM
Carenage

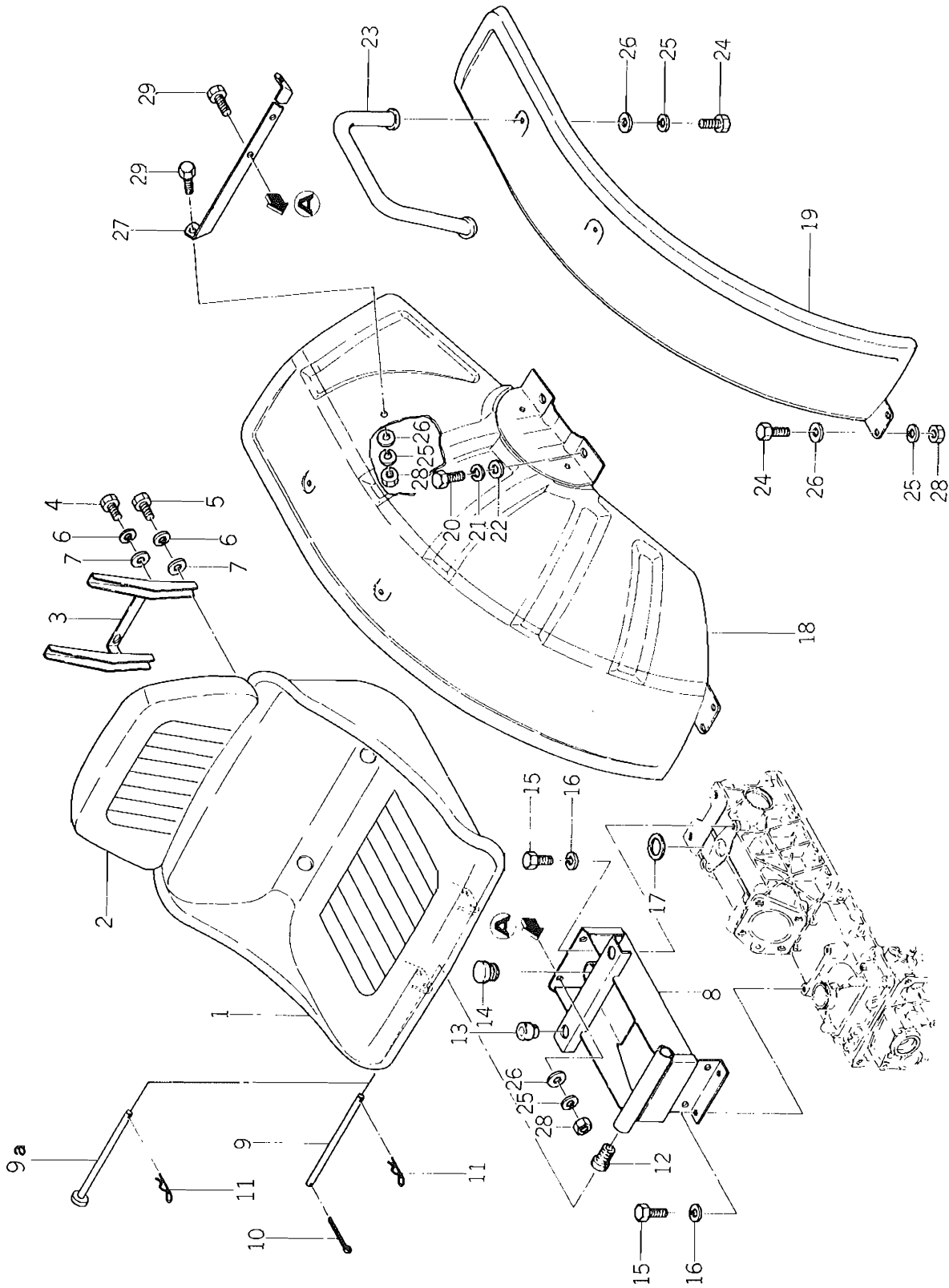


Ref N ^o .	Parts No.	Description	Model & Q'ty Modél & Quant				Remarks Remarques
			TX 1300	TX 1300 F	TX 1500	TX 1500 F	
Réf N ^o .	Pièces No.	Désignation					
56-30	V201-261-0020-0	BOLT/M10×20 Vis			2	2	
56-30-1	V201-261-2020-0	BOLT/M12×20 Vis	4				
56-31	1429-602-0010-0	PLATE, SEAL Plaque			1	1	
56-32	1429-602-0020-0	SEAL/30×30×83 Joint			2	2	
56-33	1429-602-0030-0	SEAL/30×30×70 Joint			2	2	
56-34	1429-602-0040-0	SEAL/15×10×480 Joint			1	1	
56-35	1427-621-3001-0	STAY, FRAME Appui	1	1			
56-36	1427-621-0190-0	RUBBER, CUSHION Cale	1	1			
56-37	V300-260-0120-0	NUT/M12 Ecrou	1	1			
56-38	V401-160-0120-0	WASHER, SP/M12 Rondelle frein	1	1			
56-39	V413-160-0120-0	WASHER/M12 Rondelle	1	1			
56-40	3762-174-2000-0	FRAME, R. ASSY Chassis ar	1	1			

Fig. 57

SEAT AND FENDER SYSTEM

Siege et aile

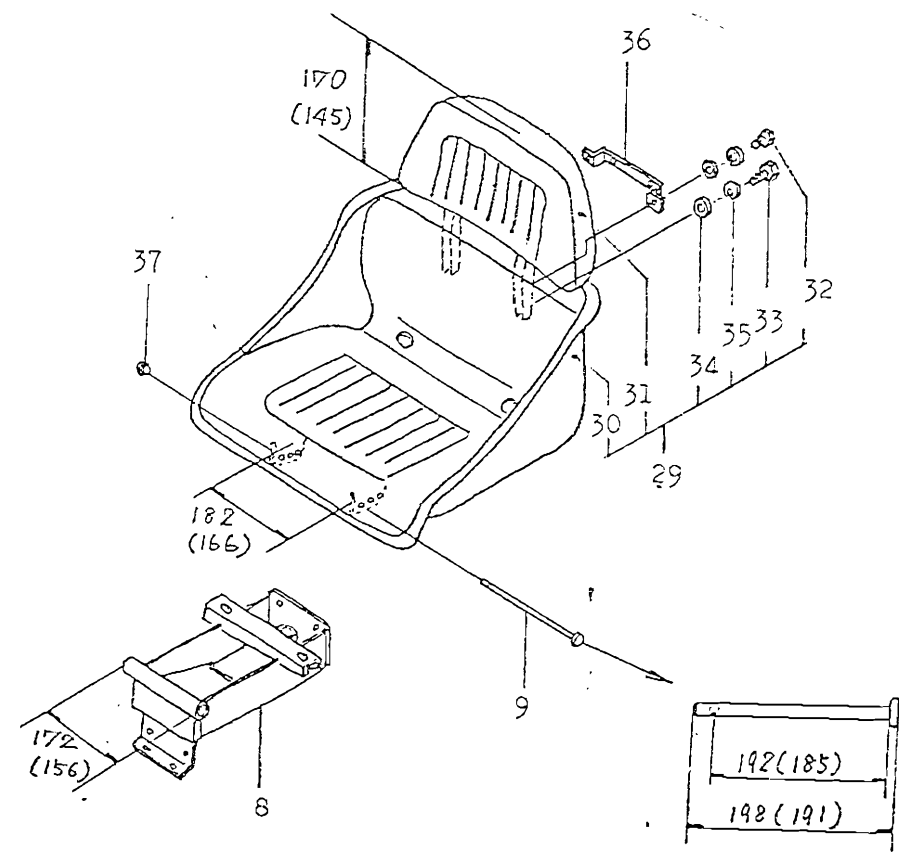


Applicable Parts Catalogue (Book No.)
 TX1300 1500
 (No.1400-098-0021-0)

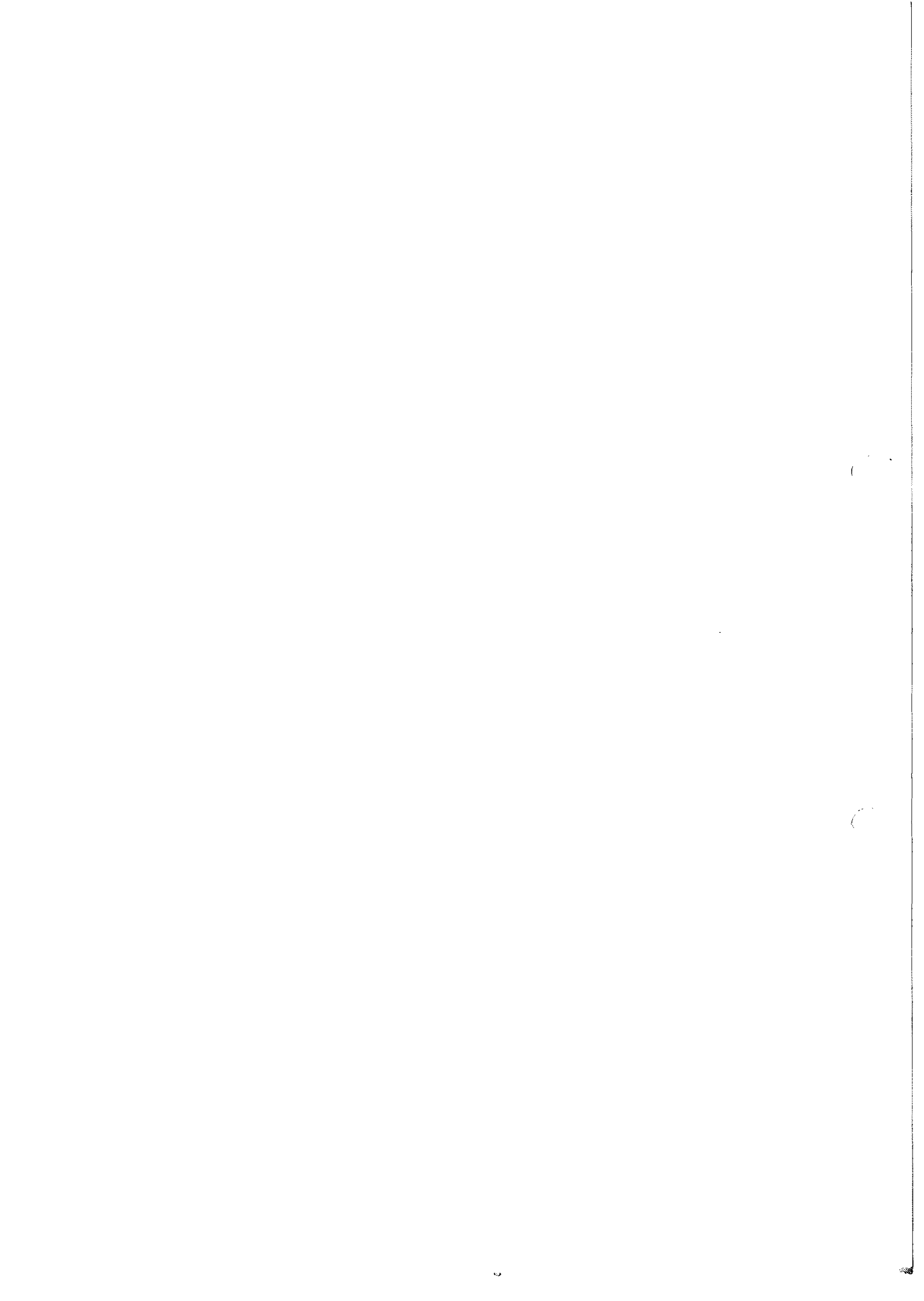
Subject :

Inf. No. 82-02 (5/6)
 Date issued MAR. 31. 1982

No.	Page	Ref. No.	Old			New			I T C	Applicable model
			Parts No.	Description	Q'ty	Parts No.	Description	Q'ty		



ITC (Interchangeability) Ⓐ : Old New Ⓑ : Old New Ⓒ : Old New Ⓓ : Abolished Ⓔ : Newly included

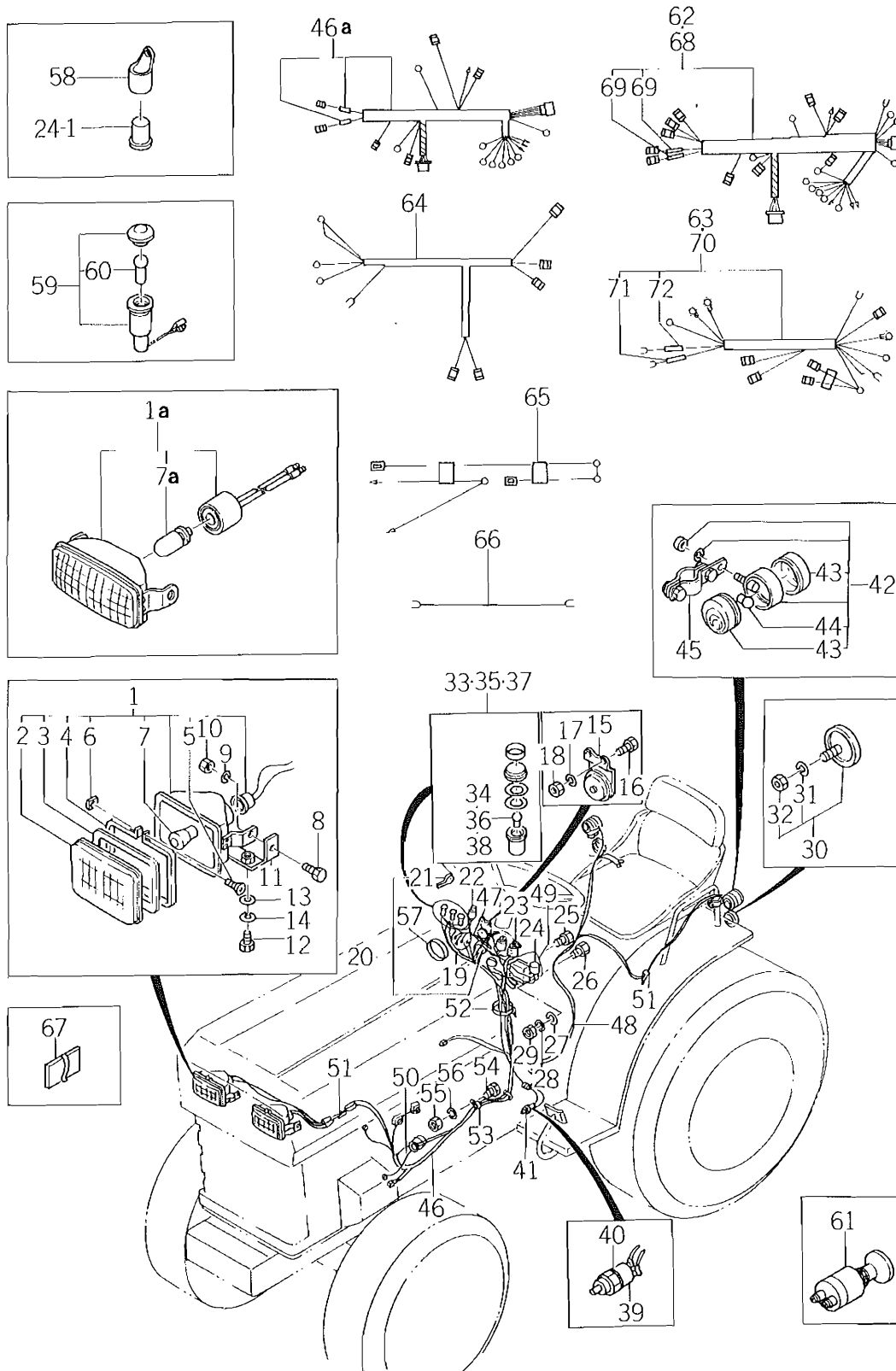


Ref No. Réf No.	Parts No. Pièces No.	Description Désignation	Model & Q'ty Modél & Quant				Remarks Remarques
			TX 1300	TX 1300F	TX 1500	TX 1500F	
57- 0-1	1427-611-2000-0	SEAT ASSY Siege complet	1	1	1	1	(C) info no. 82-02 (4/6) March 31, '82 Except E20, 21, 22
X 57- 0-1a	1434-611-2000-0	SEAT ASSY	1	1	1	1	
X 57- 0-1b	1434-611-2001-0	Siege complet SEAT ASSY	1	1	1	1	
57- 1	1427-611-2100-1	SEAT (A) Siege	1	1	1	1	
X 57- 1a	1434-611-2100-1	SEAT Siege	1	1	1	1	
X 57- 2	1427-611-2200-0	SEAT (B) Siege	1	1	1	1	
X 57- 3	1421-611-0030-0	PLATE (A) Dossier	1	1	1	1	
X 57- 4	V200-260-6020-0	BOLT/M6 x 20 Vis	2	2	2	2	
X 57- 5	V200-260-6030-0	BOLT/M6 x 30 Vis	2	2	2	2	
X 57- 6	V401-160-0060-0	WASHER, SP/M6 Rondelle frein	4	4	4	4	
X 57- 7	V413-160-0060-0	WASHER/M6 Rondelle	4	4	4	4	
X 57- 8	1434-611-2302-0 1427-611-2301-0	BRACKET, SEAT Berceau de siege	1	1	1	1	(C) info no. 82-02 (4/6) March 31, '82
57- 9	1414-632-0070-0	PIN/10 x 188 Gond de siege	1	1	1	1	Except E20, 21, 22
X 57- 9a	1427-611-0030-0 3737-154-0020-0	PIN, SEAT SET Goupille fendue	1	1	1	1	(A) info no. 82-02 (4/6) March 31, '82
57-10	V500-152-0018-0	PIN, SPLIT/2 x 18 Goupille fendue	1	1	1	1	Except E20, 21, 22
57-11	1305-241-0010-0	PIN, HAIR Attache	1	1	1	1	
57-12	1421-611-0040-0	RUBBER, CUSHION Calc	2	2	2	2	
57-13	1414-632-0050-0	RUBBER, CUSHION (A) Calc	2	2	2	2	
57-14	7954-205-1010-0	CAP, OIL/30 Bouchon	1	1	1	1	
57-15	V201-260-8016-0	BOLT/M8 x 16 Vis	4	4	4	4	
57-16	V401-160-0080-0	WASHER, SP/M8 Rondelle frein	4	4	4	4	
57-17	1427-611-0010-0	PACKING/RUBBER Joint	1	1	1	1	
57-18	1427-606-2100-1	FENDER, RH Gardeboue d	1	1	1	1	
57-19	1427-606-2000-1	FENDER, LH Gardeboue g	1	1	1	1	
57-20	V201-261-2025-0	BOLT/M12 x 25 Vis	4	4	4	4	
57-21	V401-160-0120-0	WASHER, SP/M12 Rondelle frein	4	4	4	4	
57-22	V413-160-0120-0	WASHER/M12 Rondelle	4	4	4	4	
57-23	1427-606-2200-0	ARM, REST Main courante	2	2	2	2	
57-24	V201-260-8016-0	BOLT/M8 x 16 Vis	8	8	8	8	
57-25	V401-160-0080-0	WASHER, SP/M8 Rondelle frein	12	12	12	12	
57-26	V413-160-0080-0	WASHER/M8 Rondelle	10	10	10	10	
57-27	1427-606-0010-0	STAY Raidisseur	1	1	1	1	
57-28	V300-260-0080-0	NUT/M8 Erou	8	8	8	8	
57-29	V201-260-8020-0	BOLT/M8 x 20 Vis	4	4	4	4	
X 57-29	1488-611-2001-0	SEAT ASSY	1	1	1	1	1300 NO. 103159- 1300F NO. 013570- *... 1500 NO. 103888- 1500F NO. 007504- info no. 82-02 (4/6) March 31, '82 see attached copy
X 57-30	1488-611-2011-0	SEAT A	1	1	1	1	
X 57-31	1421-611-0020-0	SEAT B	1	1	1	1	
X 57-32	V200-260-6030-0	BOLT/M6 x 30	2	2	2	2	
X 57-33	V200-260-6030-0	BOLT/M6 x 20	2	2	2	2	
X 57-34	3740-162-0050-0	WASHER	4	4	4	4	
X 57-35	V401-160-0060-0	WASHER, SP/M6	4	4	4	4	
X 57-36	1480-611-2010-0	PLATE, SET	1	1	1	1	
X 57-37	1434-611-2010-0	CAP/10 x 3.5	2	2	2	2	

Appl. p. with specified charis no. TX 1300 # 103696-
 TX 1300F # 016378-
 TX 1500 # 104335-
 TX 1500F # 010913-

Fig. 58

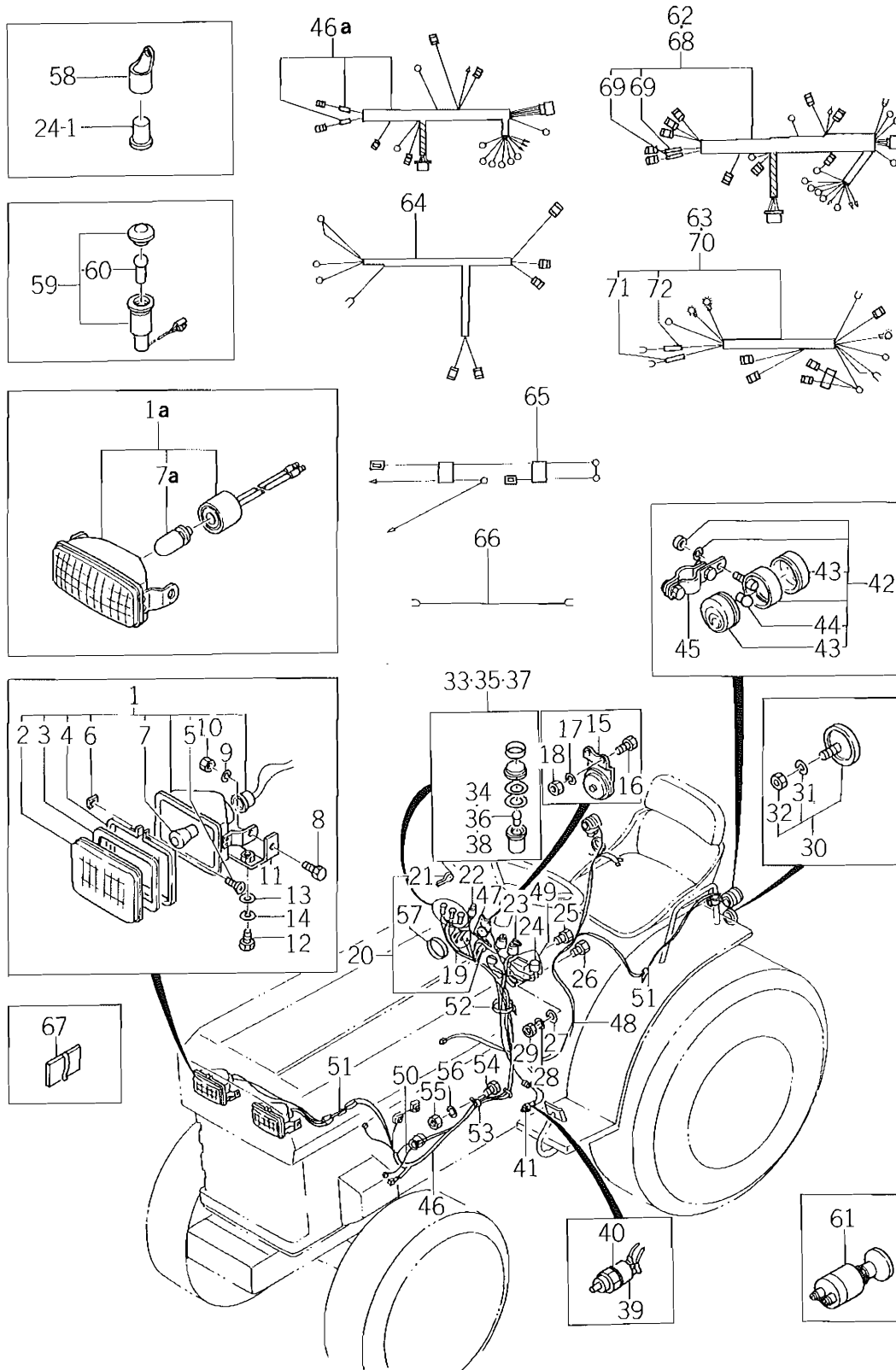
ELECTRICAL SYSTEM
Équipement électrique



Ref No. Réf No.	Parts No. Pièces No.	Description Désignation	Model & Q'ty Modél & Quant				Remarks Remarques	
			TX 1300	TX 1300F	TX 1500	TX 1500F		
58- 1	1427-621-2300-0	LAMP, HEAD ASSY Phare complet	2	2	2	2	} for E10, 11, 12, 40, 41, 42, 43 } 1300 NO. 103551- 1300F NO. 015136- 1500 NO. 104280- 1500F NO. 003802-	
58- 2	1427-621-0130-0	·LENS Verre	2	2	2	2		
58- 3	1427-621-0140-0	·PACKING Joint	2	2	2	2		
58- 4	1427-621-2400-0	·RETAINER Fenetre	2	2	2	2		
58- 5	V111-164-0014-0	·SCREW/M4×14 Vis	2	2	2	2		
58- 6	V300-260-0040-0	·NUT/M4 Ecou	2	2	2	2		
58- 7	1427-621-0150-0	·BULB / 12V 25/25 Ampoule	2	2	2	2		
58- 1a	1427-621-3200-0	LAMP, HEAD ASSY Phare complet	2	2	2	2		
58- 7a	1427-621-3240-0	·BULB / 12V 25/25 Ampoule	2	2	2	2		
58- 8	V201-260-8016-0	BOLT/M8×16 Vis	4	4	4	4		
58- 9	V401-160-0080-0	WASHER, SP/M8 Rondelle frein	4	4	4	4		
58-10	V300-260-0080-0	NUT/M8 Ecou	4	4	4	4		
58-11	1427-602-2200-0	PLATE, LAMP Etrier	2	2	2	2		
58-12	V201-260-8020-0	BOLT/M8×20 Vis	4	4	4	4		
58-13	V413-160-0080-0	WASHER/M8 Rondelle	4	4	4	4		
58-14	V401-160-0080-0	WASHER, SP/M8 Rondelle frein	4	4	4	4		
58-15	1427-621-0080-0	HORN Avertisseur ville	1	1	1	1		
58-16	V200-260-6012-0	BOLT/M6×12 Vis	2	2	2	2		
58-17	V401-160-0060-0	WASHER, SP/M6 Rondelle frein	2	2	2	2		
58-18	V300-260-0060-0	NUT/M6 Ecou	2	2	2	2		
58-19	1416-621-0020-0	SWITCH, STARTER Commutateur de démarrage	1	1	1	1		
58-20	1407-600-0520-0	SWITCH, KEY SET Contacteur	1	1	1	1		
58-21	1407-621-0120-0	·KEY Vie de contact	2	2	2	2		
58-22	1402-621-0130-0	SWITCH, PUSH BUTTON Interrupteur d'avertisseur	1	1	1	1		
58-23	1403-621-0130-0	SWITCH, LEVER Commande clignotante	1	1	1	1		
58-24	1403-621-0120-0	FLASHER UNIT Lentrale clignotante	1	1	1	1		for E10, 11, 12
58-24-1	1426-621-0350-0	FLASHER UNIT Lentrale clignotante	1	1	1	1		for E40, 41, 42, 43, 20, 21, 22, 50, 51, 52 1300 NO. 103101- 1300F NO. 012852- 1500 NO. 103729- 1500F NO. 007030-
58-25	V200-260-6018-0	BOLT/M6×18 Vis	1	1	1	1		
58-26	V200-260-6025-0	BOLT/M6×25 Vis	1	1	1	1		
58-27	V413-160-0060-0	WASHER/M6 Rondelle	2	2	2	2		
58-28	V401-160-0060-0	WASHER, SP/M6 Rondelle frein	2	2	2	2		
58-29	V300-260-0060-0	NUT/M6 Ecou	2	2	2	2		
58-30	1416-600-0570-0	REFLECTOR ASSY Catadioptr ensemble	2	2	2	2		} for E10, 11, 12
58-31	V401-250-0050-0	·WASHER, SP/M5 Rondelle frein	2	2	2	2		
58-32	V300-250-0050-0	·NUT/M5 Ecou	2	2	2	2		
58-33	1421-600-0550-0	LAMP (A), PILOT ASSY Temoïn optique ensemble	1	1	1	1		

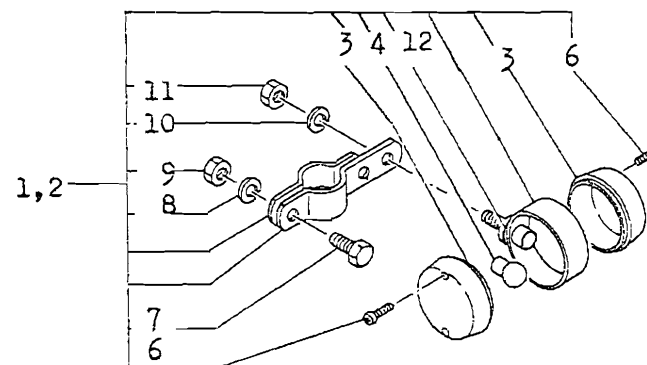
Fig. 58

ELECTRICAL SYSTEM
Equipement électrique



Applicable Parts Catalogue (Book No.) TX1300 1500 (No.1400-098-0021-0)	Subject: Modified LAMP,BLINKER ASSY	Inf. No. 81-01 (6/7) Date issued MAR. 13. 1981
--	--	--

No.	Page	Ref. No.	Old			New			I T C	Applicable model
			Parts No.	Description	Q'ty	Parts No.	Description	Q'ty		
1.	138	58-42	1427-621-2700-0	LAMP,BLINKER ASSY	2	1427-621-2601-0	LAMP,BLINKER LH ASSY	1	Ⓐ	
2.	138					1427-621-3101-0	LAMP,BLINKER RH ASSY	1	Ⓐ	
3.	138	58-43	1427-621-0170-0	.LENS	4	1427-621-2630-0	.LENS	4	Ⓒ	
4.	138	58-44	1427-621-0180-0	.BULB/12V-20W	2	1427-621-2620-0	.BULB/G18 12V 20W	2	Ⓒ	
5.	138	58-45	1427-621-2900-0	CLAMP,BLINKER ASSY	2				Ⓓ	
6.						1427-621-2640-0	.SCREW,TAPPING	8	Ⓔ	
7.						V200-260-6016-0	.BOLT/M6x16	4	Ⓔ	
8.						V401-160-0060-0	.WASHER,SP/M6	4	Ⓔ	
9.						V300-260-0060-0	.NUT/M6	4	Ⓔ	
10.						V401-160-0100-0	.WASHER,SP/M10	2	Ⓔ	
11.						V302-260-0100-0	.NUT/M10	2	Ⓔ	
12.						1427-621-2670-0	.PACKING	4	Ⓔ	



Applicable parts with specified chassis numbers : TX1300 #103671-
 TX1300F #016037-

TX1500 #104335-
 TX1500F #010767-

ITC (Interchangeability)

Ⓐ : Old New

Ⓑ : Old New

Ⓒ : Old New

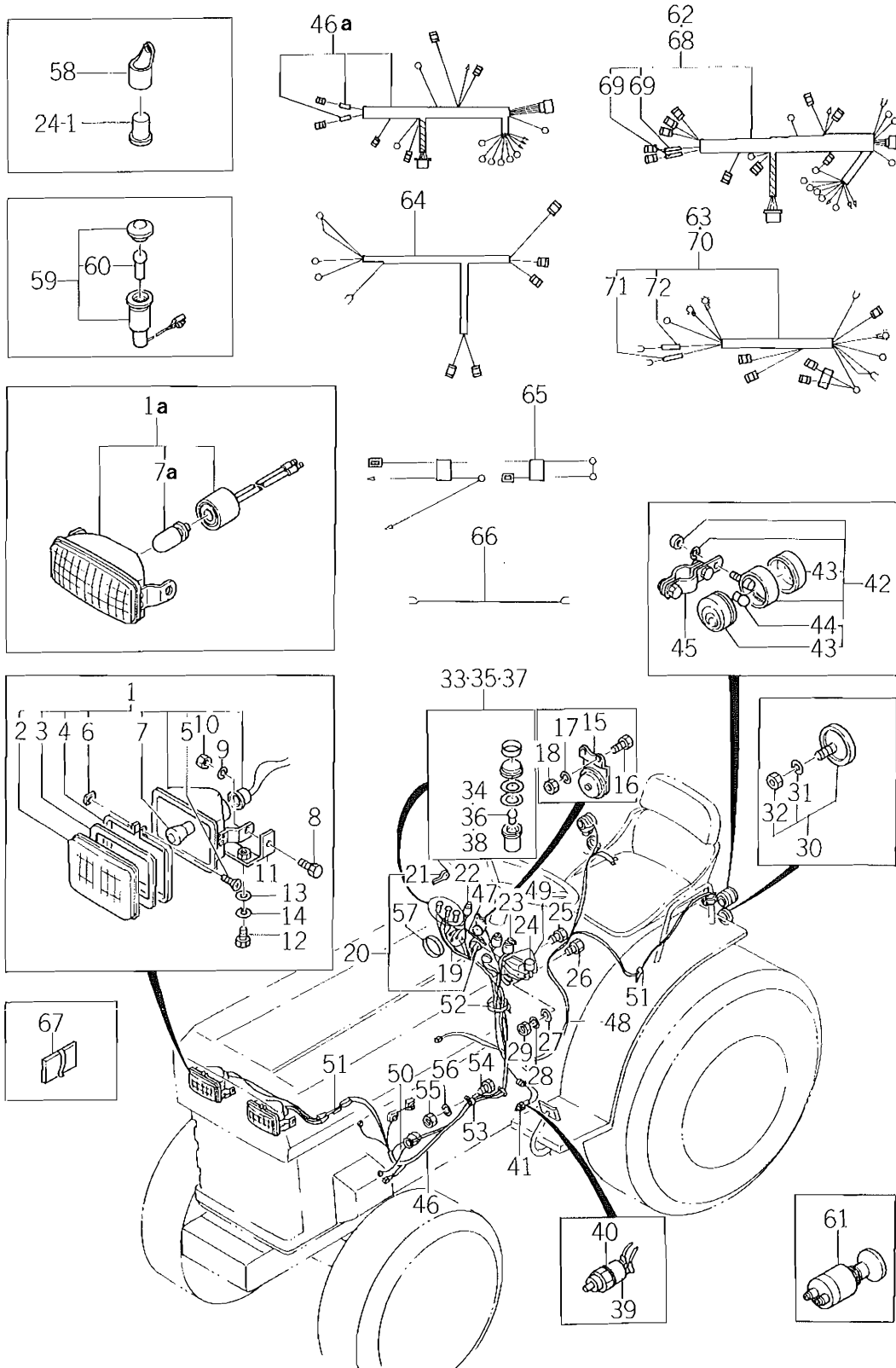
Ⓓ : Abolished

Ⓔ : Newly included

Fig. 58

ELECTRICAL SYSTEM

Equipement électrique



Ref N° Réf N°	Parts No. Pièces No.	Description Désignation	Model & Q'ty Modél & Quant				Remarks Remarques
			TX 1300	TX 1300 F	TX 1500	TX 1500 F	
58-70	1427-623-2200-0	HARNES, WIRE ASSY/N0.7 Faisceau	1	1	1	1	for E40, 41, 42, 43, 20, 21, 22, 50, 51, 52
58-71	1411-621-0050-0	·FUSE/5A Fusible	1	1	1	1	
58-72	1423-621-2010-0	·FUSE/15A Fusible	1	1	1	1	

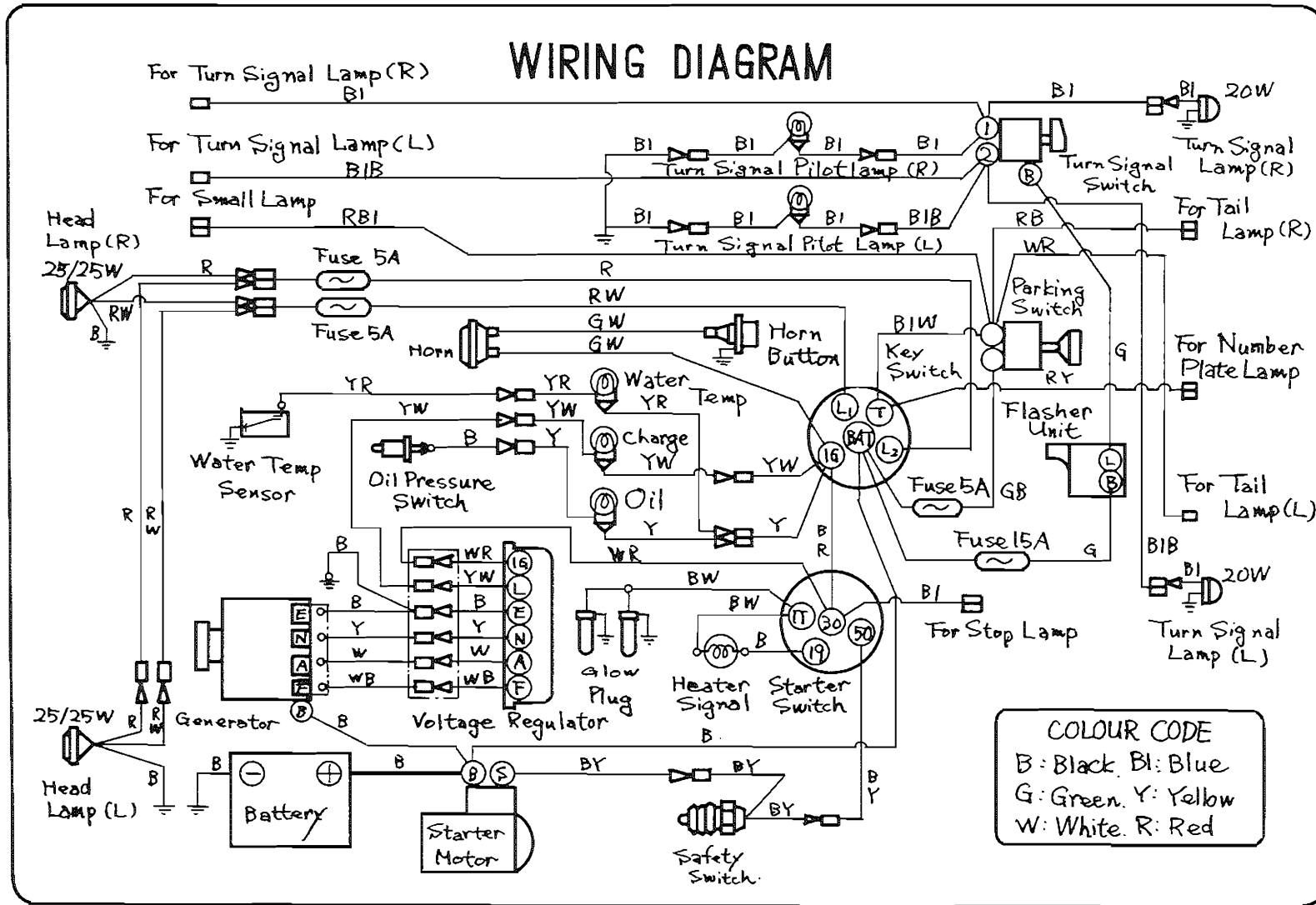


Fig. 59 WIRING DIAGRAM
 Cablage diagramme

WIRING DIAGRAM

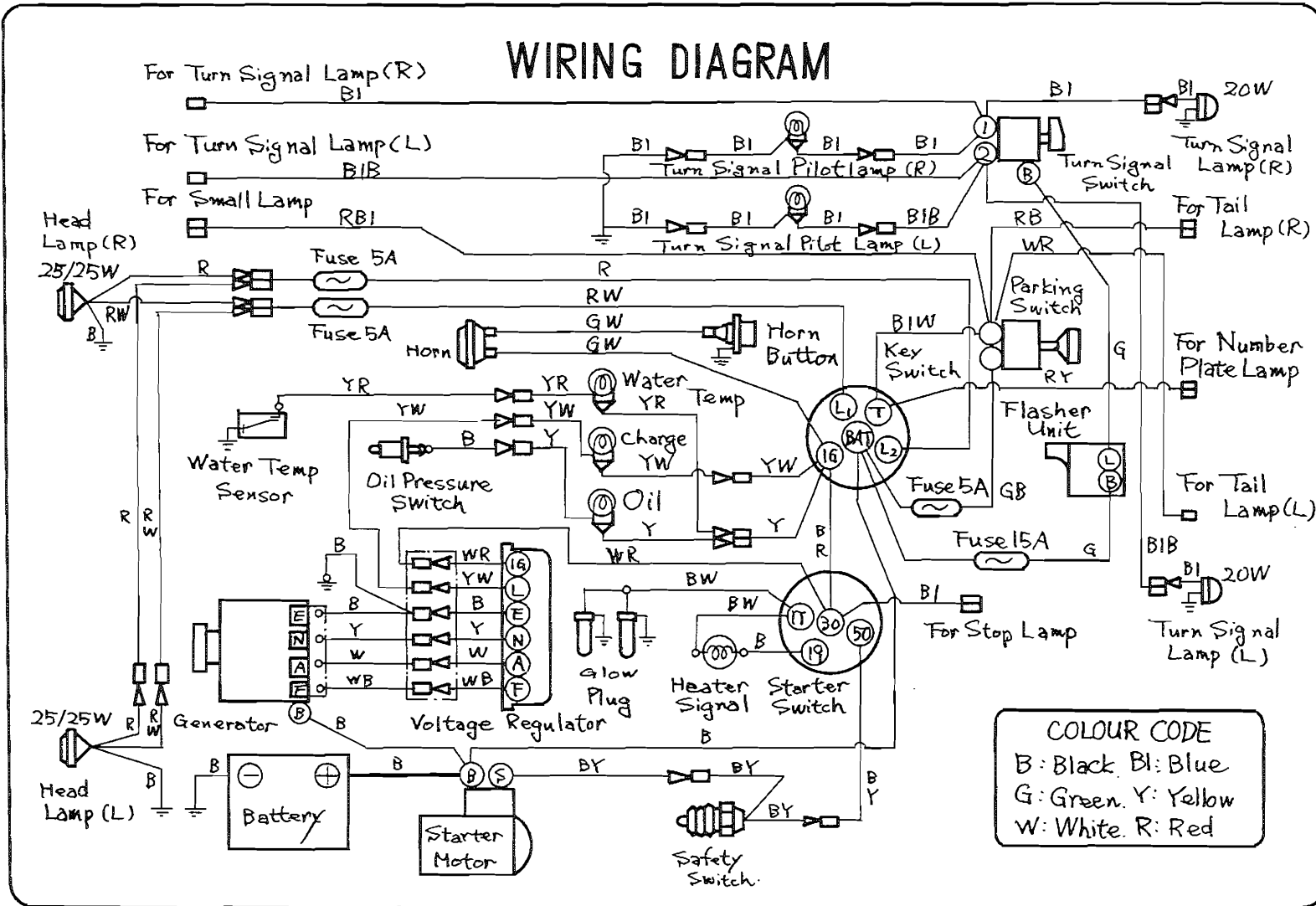
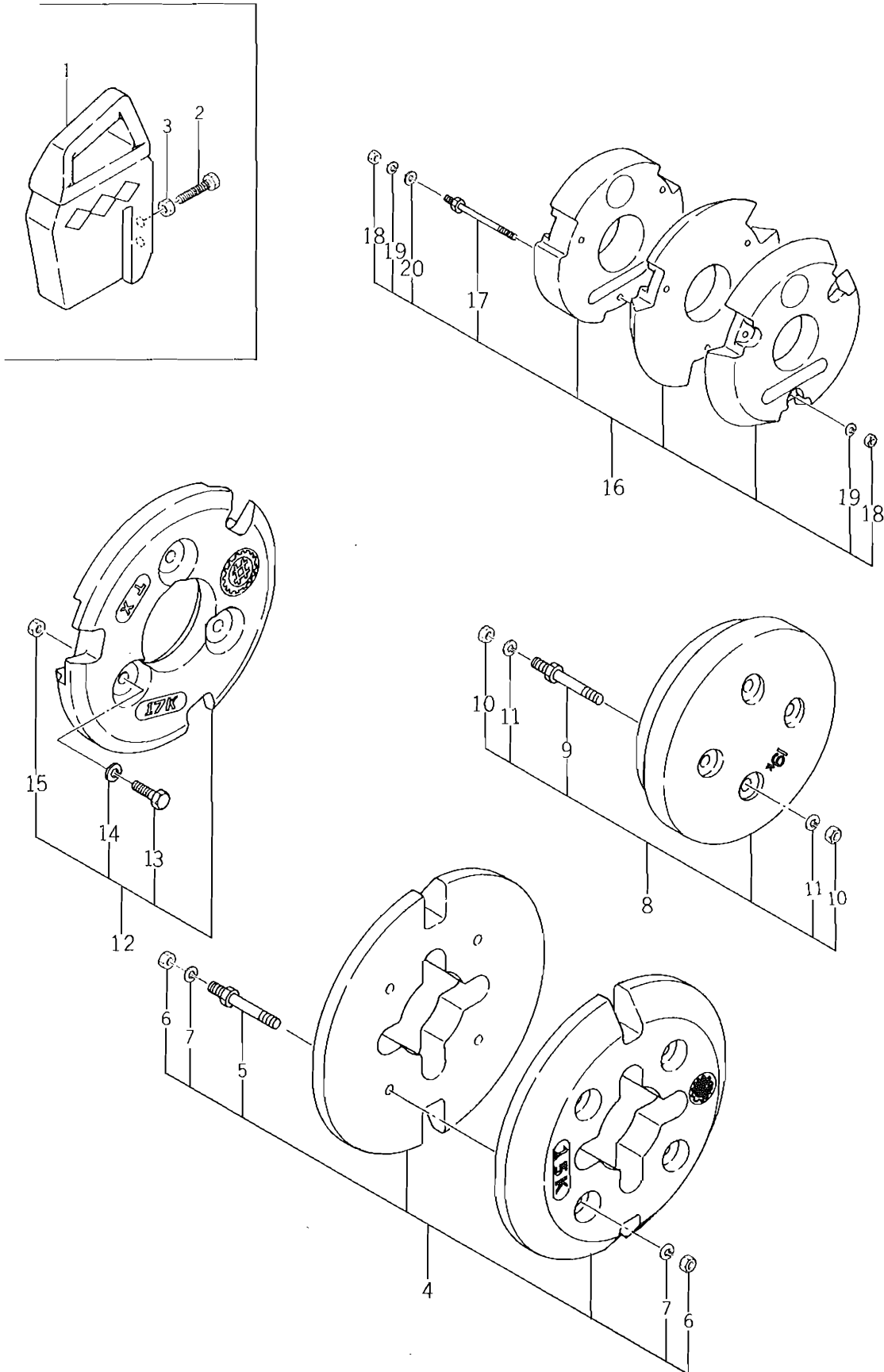


Fig. 59A WIRING DIAGRAM
Cablage diagramme

Ref No. Réf No.	Parts No. Pièces No.	Description Désignation	Model & Q'ty Modél & Quant				Remarks Remarques
			TX 1300	TX 1300 F	TX 1500	TX 1500 F	
62- 1	1427-921-0000-0	HITCH, TRAILER ASSY Attache de halage complet	1	1	1	1	★
62- 2	1427-921-2100-0	·PIN/22- 124 Broche	1	1	1	1	★
62- 3	1341-906-0010-0	·PIN, HAIR Attache beta	2	2	2	2	★
62- 4	1402-900-9030-0	·TRAILER, PIN SET Broche	1	1	1	1	★
62- 5	1402-500-9010-0	·PIN, LINK/LARGE SET Goupille	1	1	1	1	★
62- 5a	1421-502-0020-0	·PIN, LINK Broche	1	1	1	1	★ⓑ
62- 6	1427-921-2200-0	·PIN/19×214 Broche	1	1	1	1	★
62- 7	1427-926-0000-0	HITCH, TRAILER ASSY Attache de halage complet	1	1	1	1	★
62- 8	1427-921-2100-0	·PIN/22×214 Broche	1	1	1	1	★ for E10, 11, 12, 40, 41, 42, 43, 50, 51, 52
62- 9	1341-906-0010-0	·PIN, HAIR Attache beta	2	2	2	2	★
62-10	1402-900-9030-0	·TRAILER, PIN SET Broche	1	1	1	1	★
62-11	1402-500-9010-0	·PIN, LINK/LARGE SET Goupille	1	1	1	1	★
62-11a	1421-502-0020-0	·PIN, LINK Goupille	1	1	1	1	★ⓑ
62-12	1427-926-2000-0	·PIN/50 Broche	2	2	2	2	★
62-13	V413-160-0180-0	·WASHER/M18 Rondelle	2	2	2	2	★
62-14	V401-160-0180-0	·WASHER, SP/M18 Rondelle frein	2	2	2	2	★
62-15	V300-260-0180-0	·NUT/M18 Erou	2	2	2	2	★

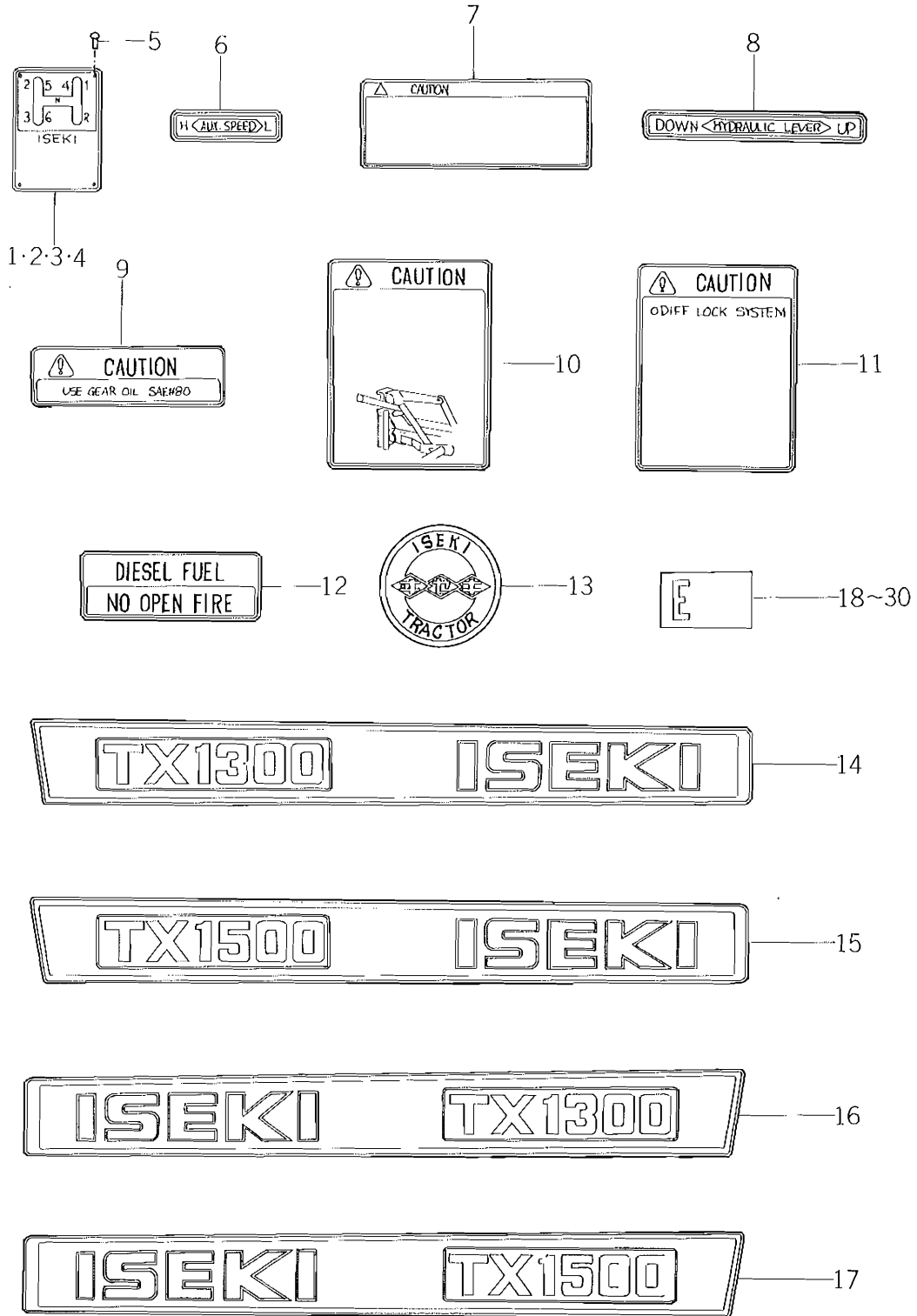
Fig. 64 WEIGHT
Gueuses



Ref No. Réf No.	Parts No. Pièces No.	Description Désignation	Model & Q'ty Modél & Quant				Remarks Remarques
			TX 1300	TX 1300 F	TX 1500	TX 1500 F	
64- 1	1421-922-0010-0	WEIGHT, BALANCE Contrepoids	2	2	2	2	★ TX1300F, TX1500F ★ LOW LUG ★ HIGH LUG TIRE
64- 2	W201-261-2055-0	BOLT/M12×55 S=55 Vis	2	2	2	2	
64- 3	V302-260-0120-0	NUT/M12 Erou	2	2	2	2	
64- 4	1429-922-2000-0	WEIGHT, F. WHEEL SET Contrepoids av			1		★ TX1500 ★ LOW LUG TIRE
64- 5	1427-922-2100-0	·BOLT, SET/97 Vis			8	8	
64- 6	V300-260-0120-0	·NUT/M12 Erou			8	8	★ HIGH LUG TIRE
64- 7	V401-160-0120-0	·WASHER, SP/M12 Rondelle frein			16	16	
64- 8	1427-922-2000-0	WEIGHT, F. WHEEL SET Contrepoids av	1				★ TX1300 ★ LOW LUG TIRE
64- 9	1427-922-2100-0	·BOLT, SET/97 Vis	8			8	
64-10	V300-260-0120-0	·NUT/M12 Erou	16			16	★ HIGH LUG TIRE
64-11	V401-160-0120-0	·WASHER, SP/M12 Rondelle frein	16			16	
64-12	1427-923-2000-0	WEIGHT, F. WHEEL SET Contrepoids av		1		1	★
64-13	V201-261-2055-0	·BOLT/M12×55 Vis		6		6	★
64-14	V401-160-0120-0	·WASHER, SP/M12 Rondelle frein		6		6	★
64-15	V300-260-0120-0	·NUT/M12 Erou		6		6	★
64-16	1427-922-2200-0	WEIGHT, R. WHEEL SET Contrepoids ar	1	1	1	1	★ TX1300, TX1500 ★ LOW LUG TIRE ★ HIGH LUG TIRE
64-17	1427-922-2300-0	·BOLT, SET/154 Vis	6	6	6	6	
64-18	V300-260-0120-0	·NUT/M12 Erou	12	12	12	12	
64-19	V401-160-0120-0	·WASHER, SP/M12 Rondelle frein	12	12	12	12	★ TX1300F, TX1500F ★ LOW LUG TURF TIRE ★ HIGH LUG TIRE
64-20	V413-160-0120-0	·WASHER/M12 Rondelle	6	6	6	6	

Fig. 67

MARK (ENGLISH I)
Etiquette (Anglais I)

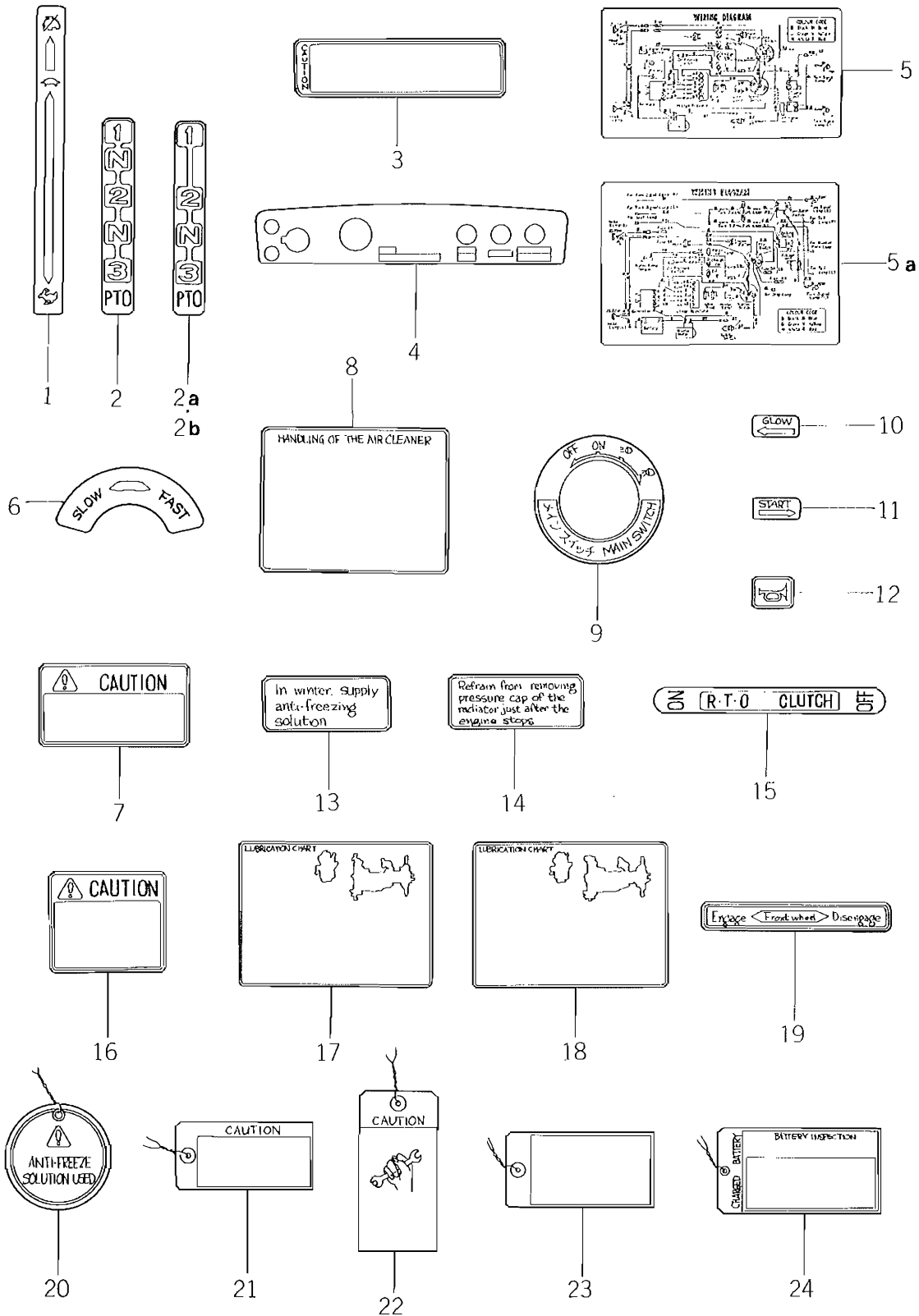


Ref No. Réf No.	Parts No. Pièces No.	Description Désignation	Model & Q'ty Modél & Quant				Remarks Remarques
			TX 1300	TX 1300 F	TX 1500	TX 1500 F	
67- 1	1427-930-0010-0	MARK, MODEL Plaque de type	1				
67- 2	1429-930-0010-0	MARK, MODEL Plaque de type			1		
67- 3	1427-931-0010-0	MARK, MODEL (F) Plaque de type		1			
67- 4	1429-931-0010-0	MARK, MODEL (F) Plaque de type				1	
67- 5	V296-202-4074-0	RIVET, BLIND/2.4 × 7.4 Rivet borgne	4	4	4	4	
67- 6	1427-937-0020-0	MARK, SUB CHANGE/E Étiquette	1	1	1	1	
67- 6a	1427-941-0020-0	MARK, SUB CHANGE/U Étiquette	1	1	1	1	*
67- 7	1427-937-0030-0	MARK, DRIVE CAUTION/E Étiquette	1	1	1	1	
67- 8	1427-937-0060-0	MARK, HYD LEVER/E Étiquette	1	1	1	1	
67- 8a	1427-941-0080-0	MARK, HYD LEVER/U Étiquette	1	1	1	1	*
67- 9	1427-937-0120-0	MARK, OIL NO/E Étiquette	1	1	1	1	
67-10	1427-937-0080-0	MARK, LOCK/E Étiquette	1	1	1	1	*
67-11	1427-937-0090-0	MARK, DIFF LOCK/E Étiquette	1	1	1	1	
67-12	1427-937-0130-0	MARK, FUEL/E Étiquette	1	1	1	1	
67-12a	1427-941-0160-0	MARK, FUEL/U Étiquette	1	1	1	1	*
67-13	1421-903-0160-0	MARK, CAP Étiquette	1	1	1	1	
67-14	1427-904-0010-0	MARK, SIDE LH Plaque laterale g	1	1			
67-15	1429-903-0010-0	MARK, SIDE LH Plaque laterale g			1	1	
67-16	1427-904-0020-0	MARK, SIDE RH Plaque laterale d	1	1			
67-17	1429-903-0020-0	MARK, SIDE RH Plaque laterale d			1	1	
67-18	1427-932-0050-0	MARK, TYPE/E10 Plaque de type	1	1	1	1	for E10
67-19	1427-932-0060-0	MARK, TYPE/E11 Plaque de type	1	1	1	1	for E11
67-20	1427-932-0070-0	MARK, TYPE/E12 Plaque de type	1	1	1	1	for E12
67-21	1427-932-0080-0	MARK, TYPE/E20 Plaque de type	1	1	1	1	for E20
67-22	1427-932-0090-0	MARK, TYPE/E21 Plaque de type	1	1	1	1	for E21
67-23	1427-932-0110-0	MARK, TYPE/E22 Plaque de type	1	1	1	1	for E22
67-24	1427-932-0130-0	MARK, TYPE/E40 Plaque de type	1	1	1	1	for E40
67-25	1427-932-0140-0	MARK, TYPE/E41 Plaque de type	1	1	1	1	for E41
67-26	1427-932-0150-0	MARK, TYPE/E42 Plaque de type	1	1	1	1	for E42
67-27	1427-932-0160-0	MARK, TYPE/E43 Plaque de type	1	1	1	1	for E43
67-28	1427-932-0170-0	MARK, TYPE/E50 Plaque de type	1	1	1	1	for E50
67-29	1427-932-0180-0	MARK, TYPE/E51 Plaque de type	1	1	1	1	for E51
67-30	1427-932-0190-0	MARK, TYPE/E52 Plaque de type	1	1	1	1	for E52

*... (B) { 1300 NO. 103567-
1300F NO. 015346-
1500 NO. 104303-
1500F NO. 009864-

Fig. 68

MARK (ENGLISH II)
Etiquette (Anglais II)



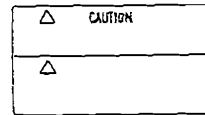
Applicable Parts Catalogue (Book No.) TX1300 1500 (No.1400-098-0021-0)	Subject: New additional parts	inf. No. 81-01 (7/7)
		Date issued MAR. 13. 1981

No.	Page	Ref. No.	Old			New			I T C	Applicable model
			Parts No.	Description	Q'ty	Parts No.	Description	Q'ty		

1.150 68-25

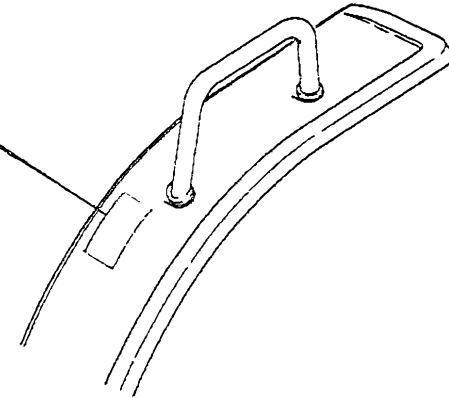
1427-937-0190-0 MARK, CAUTION

1 (E)



25

stick on the FENDER LH



Applicable parts with specified chassis numbers : TX1300 #103671-
TX1300F #015987-

TX1500 #104335-
TX1500F #010687-

ITC (Interchangeability)

Ⓐ : Old New

Ⓑ : Old New

Ⓒ : Old New

Ⓓ : Abolished

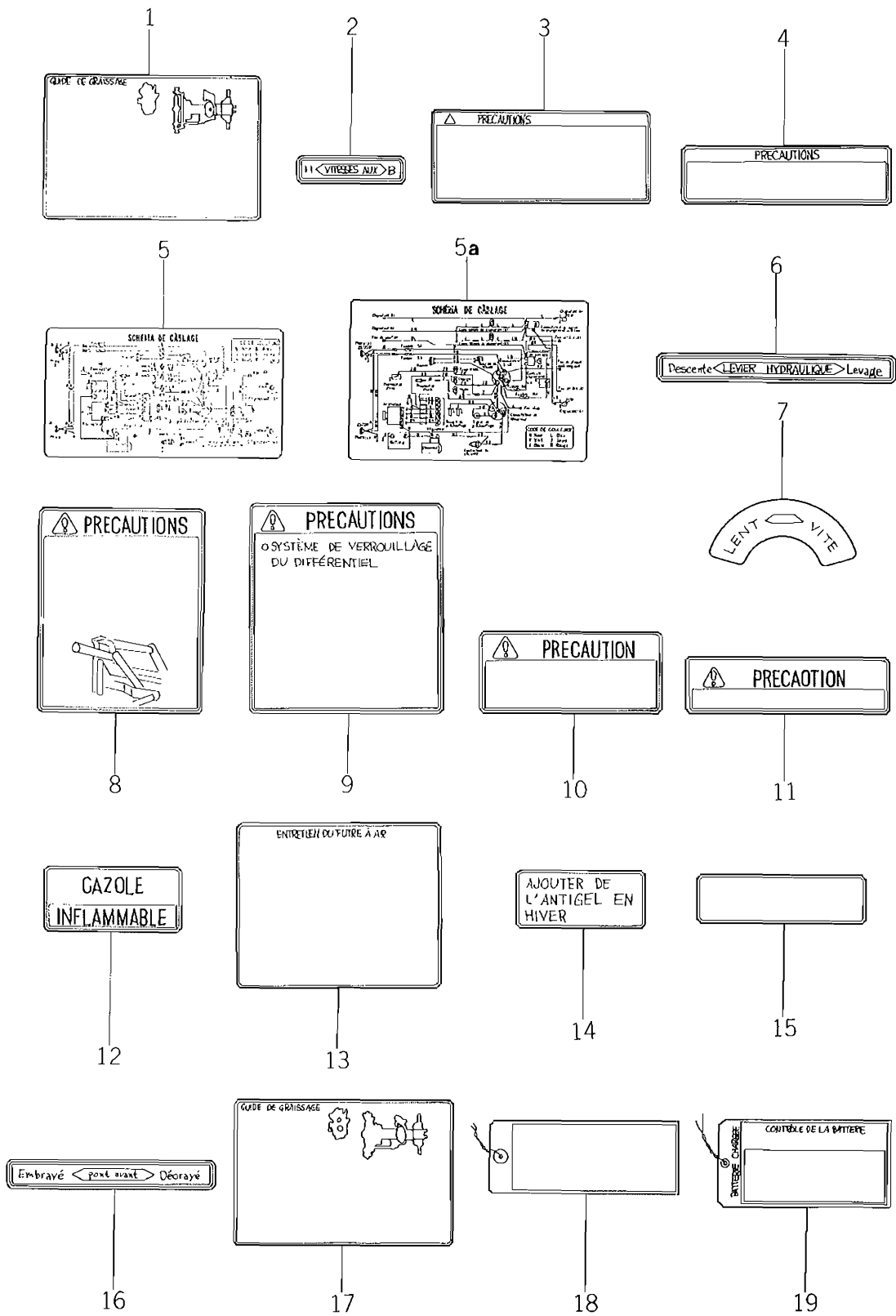
Ⓔ : Newly included

150

150

Ref No. Réf No.	Parts No. Pièces No.	Description Désignation	Model & Q'ty Modél & Quant				Remarks Remarques
			TX 1300	TX 1300F	TX 1500	TX 1500F	
68- 1	1427-904-0041-0	MARK, THROTTLE Etiquette	1	1	1	1	
68- 2	1427-904-0061-0	MARK, PTO CHANGE Etiquette	1	1	1	1	{ 1300 NO. 103195-103566 1300F NO. 013403-015345 1500 NO. 103687-104302 1500F NO. 006960-009863
68- 2a	1434-903-0040-0	MARK, PTO CHANGE Etiquette	1	1	1	1	
68- 2b	1427-941-0031-0	MARK, PTO CHANGE Etiquette	1	1	1	1	
68- 3	1427-937-0040-0	MARK, DRIVE/E Etiquette	1	1	1	1	
X 68- 4	1427-432-0010-0 1427-932-0010-0	MARK, PANEL Etiquette	1	1	1	1	imp n° 81.40(11) Dec. 26. '81.
68- 5	1427-937-0050-0	MARK, WIRING/E Etiquette	1	1	1	1	for E10, 11, 12
68- 5a	1427-944-0010-0	MARK, WIRING/E Etiquette	1	1	1	1	* for E20, 21, 22, 40, 41, 42, 43
68- 6	1427-937-0070-0	MARK, HYD ADJUST/E Etiquette	1	1	1	1	
68- 6a	1427-941-0110-0	MARK, HYD ADJUST/U Etiquette	1	1	1	1	*
68- 7	1427-937-0110-0	MARK, AIR CLEANER (A)/E Etiquette	1	1	1	1	{ 1300 -NO. 103607 1300F -NO. 015634 1500 -NO. 104316 1500F -NO. 010222
68- 8	1427-937-0140-0	MARK, AIR CLEANER (B)/E Etiquette	1	1	1	1	
68- 9	1421-903-0190-0	MARK, KEY SWITCH Etiquette	1	1	1	1	
68-10	1421-904-0030-0	MARK, STARTER (A) Etiquette	1	1	1	1	
68-10a	1427-941-0190-0	MARK, STARTER (A)/U Etiquette	1	1	1	1	*
68-11	1421-904-0040-0	MARK, STARTER (B) Etiquette	1	1	1	1	
68-11a	1427-941-0210-0	MARK, STARTER (B)/U Etiquette	1	1	1	1	*
68-12	1427-903-0040-0	MARK, HORN Etiquette	1	1	1	1	
68-13	1427-937-0150-0 1427-941-0230-0	MARK, RADIATOR (A)/E Etiquette	1	1	1	1	ⓑ 85-77
68-14	1427-937-0160-0	MARK, RADIATOR (B)/E Etiquette	1	1	1	1	
68-15	1427-941-0250-0	MARK, CLUTCH Etiquette	1	1	1	1	
68-16	1427-941-0260-0	MARK, F. PTO CAUTION Etiquette	1	1	1	1	
68-17	1427-937-0010-0	MARK, OIL/E Etiquette	1		1		
68-18	1427-937-0180-0	MARK, OIL/E Etiquette		1		1	for E10, 11, 12, 20, 21, 22, 40, 41, 42, 43
68-19	1427-937-0170-0	MARK, F. CHANGE/E Etiquette		1		1	
68-19a	1427-943-0041-0	MARK, F. CHANGE/U Etiquette		1		1	*
68-20	1427-932-0020-0	TAG, CAUTION/E Etiquette	1	1	1	1	
68-21	1427-932-0030-0	TAG, CHARGE/E Etiquette	1	1	1	1	
68-22	1427-932-0040-0	TAG, CAUTION Etiquette	1	1	1	1	
68-23	1421-904-0140-0	TAG, RADIATOR CAUTION Etiquette	1	1	1	1	
68-24	1421-904-0190-0	TAG, BATTERY CHARGE Etiquette	1	1	1	1	
68-25	1427-937-0190-0	MARK, CAUTION				1	ⓐ parts info Dec 13, 81.

Fig. 69 MARK (FRENCH)
Etiquette

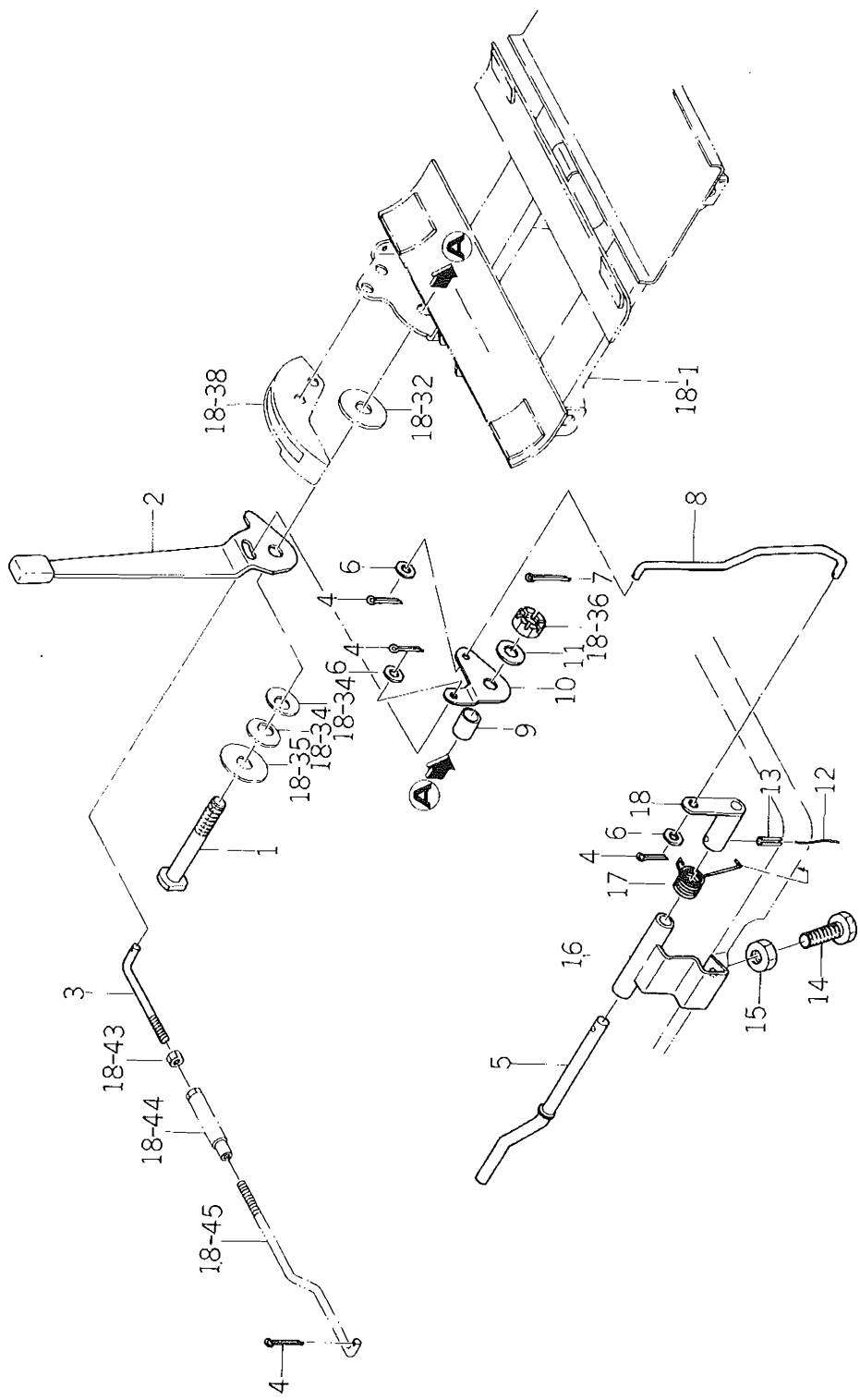


Ref N ^o .	Parts No.	Description	Model & Q'ty				Remarks
			Modél & Quant				
Réf N ^o .	Pièces No.	Désignation	TX 1300	TX 1300 F	TX 1500	TX 1500 F	Remarques
69- 1	1427-934-0010-0	MARK, OIL/FR Etiquette	1		1		for E50, 51, 52 { 1300 -NO. 103607 1300F -NO. 015634 1500 -NO. 104316 1500F -NO. 010222 { 1300 NO. 103567- 1300F NO. 015346- 1500 NO. 104303- 1500F NO. 009864-
69- 2	1427-934-0020-0	MARK, SUB CHANGE/FR Etiquette	1	1	1	1	
69- 3	1427-934-0030-0	MARK, DRIVE CAUTION/FR Etiquette	1	1	1	1	
69- 4	1427-934-0040-0	MARK, DRIVE/FR Etiquette	1	1	1	1	
69- 5	1427-934-0050-0	MARK, WIRING/FR Etiquette	1	1	1	1	
69- 5a	1427-934-0051-0	MARK, WIRING/FR Etiquette	1	1	1	1	
69- 6	1427-934-0060-0	MARK, HYD LEVER/FR Etiquette	1	1	1	1	
69- 7	1427-934-0070-0	MARK, HYD ADJUST/FR Etiquette	1	1	1	1	
69- 8	1427-934-0080-0	MARK, LOCK/FR Etiquette	1	1	1	1	
69- 9	1427-934-0090-0	MARK, DIFF LOCK/FR Etiquette	1	1	1	1	
69-10	1427-934-0110-0	MARK (A), AIR CLEANER/FR Etiquette	1	1	1	1	
69-11	1427-934-0120-0	MARK, OIL NO/FR Etiquette	1	1	1	1	
69-12	1427-934-0130-0	MARK, FUEL/FR Etiquette	1	1	1	1	
69-13	1427-934-0140-0	MARK (B), AIR CLEANER/FR Etiquette	1	1	1	1	
69-14	1427-934-0150-0	MARK (A), RADIATOR/FR Etiquette	1	1	1	1	
69-15	1427-934-0160-0	MARK (B), RADIATOR/FR Etiquette	1	1	1	1	
69-16	1427-934-0170-0	MARK, F. CHANGE/FR Etiquette		1		1	
69-16a	1431-935-0070-0	MARK, F. CHANGE/FR Etiquette		1		1	
69-17	1427-934-0210-0	MARK, OIL/FR Etiquette		1		1	
69-18	1427-934-0180-0	TAG, CAUTION/FR Etiquette	1	1	1	1	
69-19	1427-934-0190-0	TAG, CHARGE/FR Etiquette	1	1	1	1	

Fig. 70

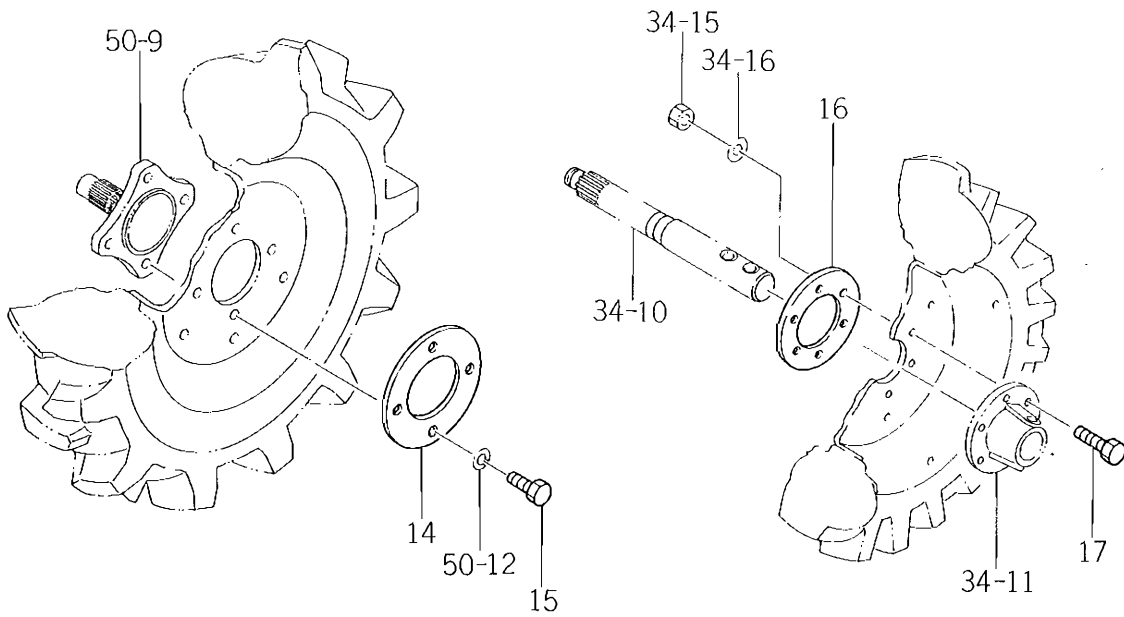
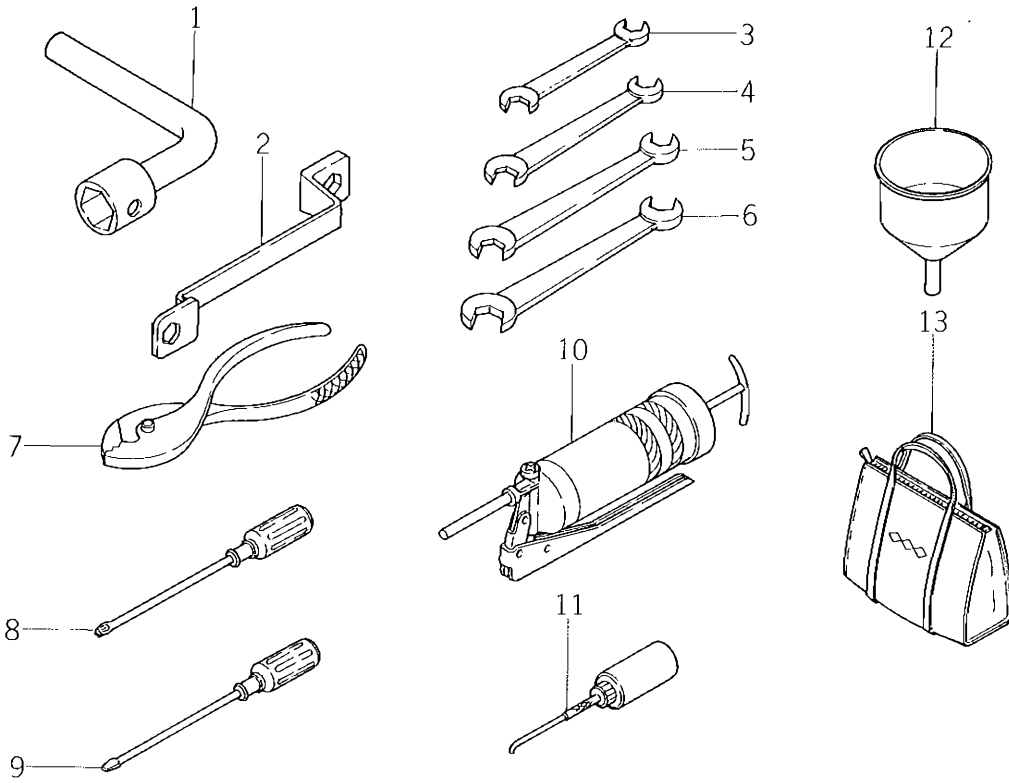
FOOT ACCELERATOR

Accelerateur au pied



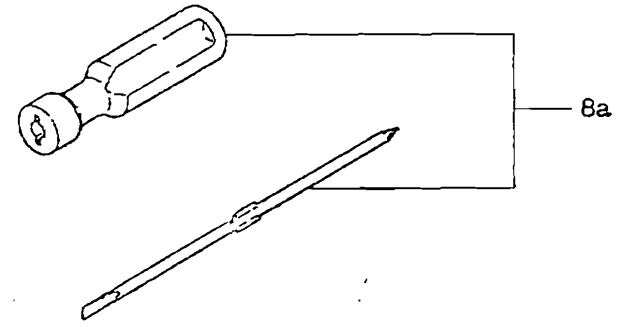
Ref No. Réf No.	Parts No. Pièces No.	Description Désignation	Model & Q'ty Modél & Quant				Remarks Remarques
			TX 1300	TX 1300 F	TX 1500	TX 1500 F	
70- 0-1	1427-909-2000-0	ACCEL, FOOT SET Accélérateur au pied	1	1	1	1	Option for E10, 11, 12
70- 1	1427-909-2020-0	·PIN/12×34 Goupille	1	1	1	1	
70- 2	1427-909-2200-0	·LEVER, THROTTLE ASSY Manette des gas	1	1	1	1	
70- 3	1427-909-2010-0	·CONNECTOR, ACCEL Jonctton	1	1	1	1	
70- 4	V500-152-0018-0	·PIN, SPRING/2×18 Goupille elastique	4	4	4	4	
70- 5	1427-909-2400-0	·ROD, ACCEL Tige	1	1	1	1	
70- 6	V413-160-0060-0	·WASHER/M6 Rondelle	3	3	3	3	
70- 7	V500-153-0025-0	·PIN, SPLIT/3×25 Goupille fendue	1	1	1	1	
70- 8	1427-909-2050-0	·ROD (A) Bielle	1	1	1	1	
70- 9	1427-909-2040-0	·COLLAR/13×17×4 Collier	1	1	1	1	
70-10	1427-909-2030-0	·PLATE (A) Plaque	1	1	1	1	
70-11	V413-160-0120-0	·WASHER/M12 Rondelle	1	1	1	1	
70-12		·WIRE/0.9×90 Fil	1	1	1	1	
70-13	V580-140-3016-0	·PIN, SPRING/3×16 Goupille elastique	1	1	1	1	
70-14	V201-260-8030-0	·BOLT/M8×30 Vis	2	2	2	2	
70-15	V300-260-0080-0	·NUT/M8 Ecrou	2	2	2	2	
70-16	1427-909-2300-0	·PLATE, SET Plaque	1	1	1	1	
70-17	1427-909-2060-0	·SPRING, TORQUE/20 Ressort torsion	1	1	1	1	
70-18	1427-909-2500-0	·ARM, ACCEL Bras	1	1	1	1	

Fig. 71 TOOLS
Outils

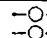


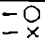
Applicable Parts Catalogue (Book No.) TX1300 1500 (No.1400-098-0021-0)	Subject: Modified SCREWDRIVER	Inf. No. 81-16 (2/2)
		Date issued OCT. 14. 1981

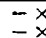
No.	Page	Ref. No.	Old			New			I T C	Applicable model
			Parts No.	Description	Q'ty	Parts No.	Description	Q'ty		
1.	156	71-8	V945-150-6100-0	SCREWDRIVER/No.2	1					
2.	156	71-9	V941-150-6100-0	SCREWDRIVER/6x100	1	1421-906-2000-0	SCREWDRIVER ASSY	1	ⓑ	



ITC (Interchangeability)

Ⓐ : Old  New

Ⓑ : Old  New

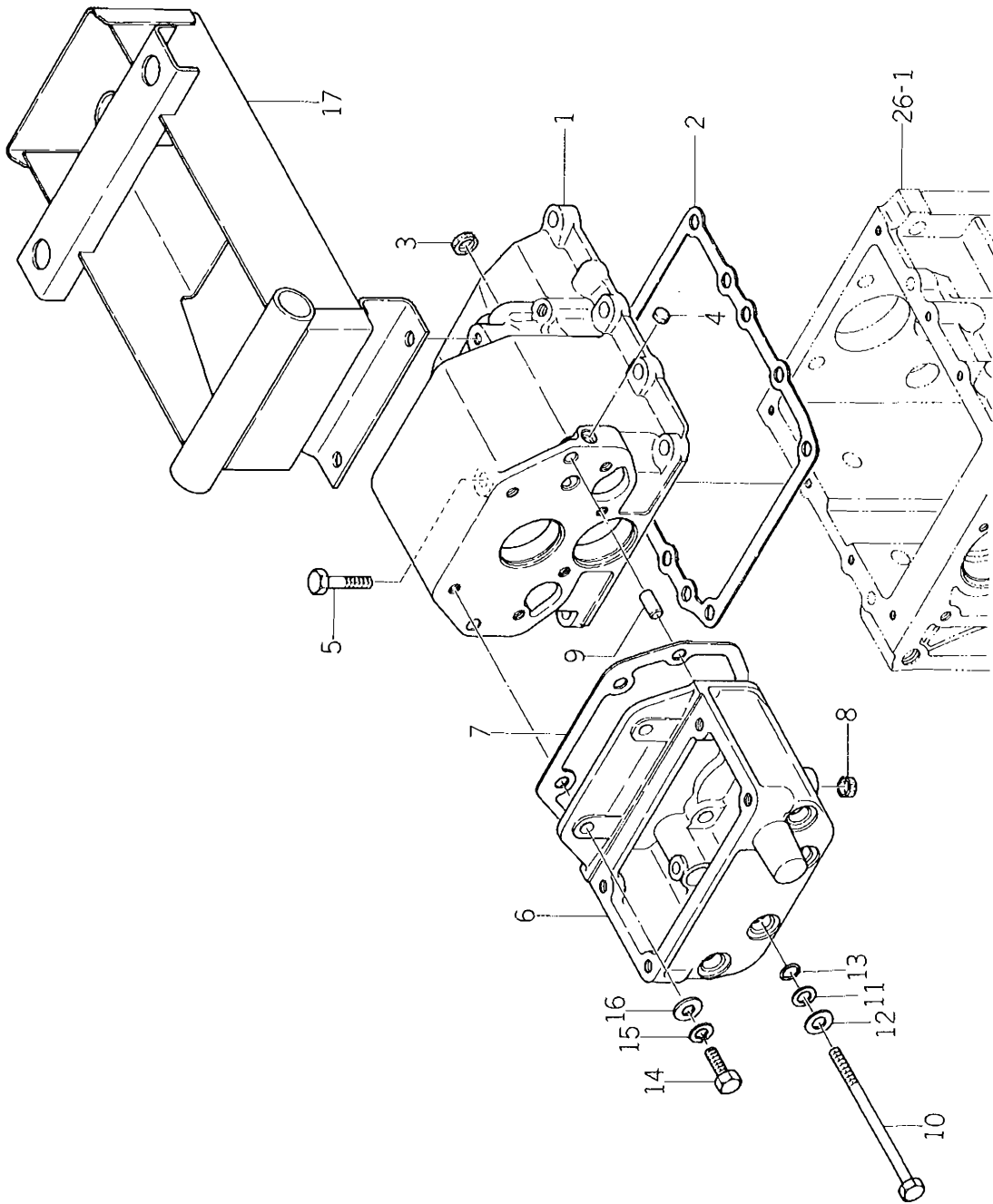
Ⓒ : Old  New

Ⓓ : Abolished

Ⓔ : Newly included

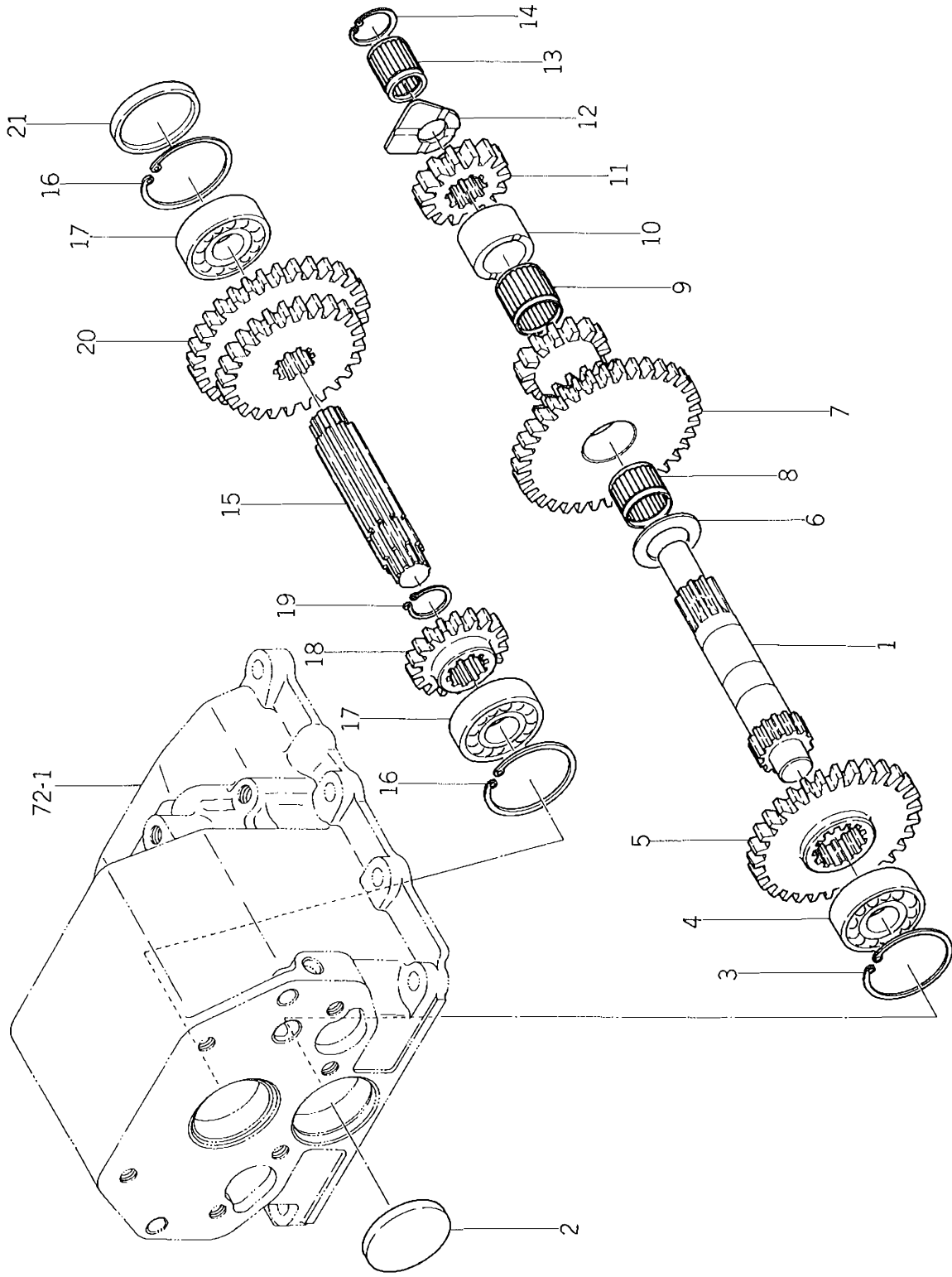
Ref N ^o .	Parts No.	Description	Model & Q'ty				Remarks
			Modél & Quant				
Réf N ^o .	Pièces No.	Désignation	TX 1300	TX 1300 F	TX 1500	TX 1500 F	Remarques
71- 1	1427-906-0010-0	SPANNER, BOX Cle a pipe	1	1	1	1	
71- 2	1401-906-0050-0	WRENCH/17×19 Cle	1	1	1	1	
71- 3	V920-550-8010-0	SPANNER/8×10 Cle plate	1	1	1	1	
71- 4	V920-551-2014-0	SPANNER/12×14 Cle plate	1	1	1	1	
71- 5	V920-551-3017-0	SPANNER/13×17 Cle plate	1	1	1	1	
71- 6	V920-551-9022-0	SPANNER/19×22 Cle plate	1	1	1	1	
71- 7	V936-150-0150-0	PLIERS/150 Pincees	1	1	1	1	
X 71- 8	V945-150-6100-0	SCREWDRIVER/N02 Assy	1	1	1	1	③ info 81-16(2)2) see attached oct 14, '81
X 71- 9	V921-906-2000-0 V941-150-6100-0	SCREWDRIVER/6×100 Tournevis	1	1	1	1	
71-10	1421-906-0020-0	PUMP, GREASE/100CC Pompe a graisse	1	1	1	1	
71-11	3750-412-0030-0	OILER/1800C Burette	1	1	1	1	
71-12	1427-906-2000-0	FUNNEL Entonnoir	1	1	1	1	
71-13	3560-702-0010-0	BAG, TOOLS Pochette a outils	1	1	1	1	
71-14	1427-953-0010-0	RING, F. HUB Disque de moyeu		2		2	★ } for E10, 11, 12
71-15	V201-461-2025-0	BOLT/M12×25 9T Vis		8		8	
71-16	1427-953-0020-0	RING, R. HUB Disque de moyeu		2		2	
71-17	V201-461-2035-0	BOLT/M12×35 9T Vis		12		12	

Fig. 72 SUB GEAR CASE SYSTEM



Ref No. Réf No.	Parts No. Pièces No.	Description Désignation	Model & Q'ty Modél & Quant				Remarks Remarques
			TX 1300	TX 1300 F	TX 1500	TX 1500 F	
72- 0-1	1427-025-2000-0	CREEP MISSION ASSY Boite de vitesse complete	1	1	1	1	★ Included Fig. 72-74
72- 1	1427-251-0010-0	CASE, SUB GEAR Coquille	1	1	1	1	★
72- 2	1427-207-0020-0	PACKING, CHANGE METAL Joint	1	1	1	1	★
72- 3	1427-251-0040-0	CAP (10), BLANK Fausset	1	1	1	1	★
72- 4	1427-210-0040-0	CAP, BLANK Fausset	2	2	2	2	★
72- 5	V201-260-8035-0	BOLT/M8 × 35 Vis	1	1	1	1	★
72- 6	1427-251-0020-0	CASE, CHANGE Carter	1	1	1	1	★
72- 7	1427-251-0030-0	PACKING, CHANGE CASE Joint	1	1	1	1	★
72- 8	1427-210-0040-0	CAP, BLANK Fausset	1	1	1	1	★
72- 9	V521-100-8016-0	PIN (B)/8 × 16 Goupille	2	2	2	2	★
72-10	V201-260-8135-0	BOLT/M8 × 135 Vis	4	4	4	4	★
72-11	V401-160-0080-0	WASHER, SP/M8 Rondelle frein	4	4	4	4	★
72-12	V411-160-0080-0	WASHER/M8 Rondelle	4	4	4	4	★
72-13	V720-101-9008-0	O-RING/P8 Joint torique	4	4	4	4	★
72-14	V201-260-8025-0	BOLT/M8 × 25 Vis	2	2	2	2	★
72-15	V401-160-0080-0	WASHER, SP/M8 Rondelle frein	2	2	2	2	★
72-16	V413-160-0080-0	WASHER/M8 Rondelle	2	2	2	2	★
X72-17	1427-254-2001-0 1427-259-2000-0	SEAT, BRACKET Berceau de siege	1	1	1	1	★ (C) info. 40.82-02 (4/6) March 31, 82 TX 1300 # 103696- TX 1300F # 016378- TX 1500 # 104335- TX 1500F # 010973-

Fig. 73 CREEP GEAR SYSTEM



Ref N ^o .	Parts No.	Description	Model & Q'ty				Remarks
			Modél & Quant				
Réf N ^o .	Pièces No.	Désignation	TX 1300	TX 1300 F	TX 1500	TX 1500 F	Remarques
73- 1	1427-252-0010-0	SHAFT, COUNTER Arbre	1	1	1	1	★
73- 2	1427-252-0020-0	CAP, BLANK Fausset	1	1	1	1	★
73- 3	V705-140-0400-0	RING, SNAP/C-TYPE 40 Collet d'axe	1	1	1	1	★
73- 4	V600-110-6203-0	BEARING, RB/6203 Roulement	1	1	1	1	★
73- 5	1427-252-0030-0	GEAR, COUNTER/29T Pignon etage	1	1	1	1	★
73- 6	1365-224-0020-0	WASHER Rondelle	1	1	1	1	★
73- 7	1427-252-0040-0	GEAR, COUNTER/33T-21-14 Pignon etage	1	1	1	1	★
73- 8	V654-420-2417-0	GAGE, NEEDLE/KT202417 Roulement	1	1	1	1	★
73- 9	V654-420-2422-0	GAGE, NEEDLE/KTW202422 Roulement	1	1	1	1	★
73-10	1427-252-0050-0	PIPE (18) Tube	1	1	1	1	★
73-11	1427-252-0060-0	GEAR, COUNTER/14T Pignon etage	1	1	1	1	★
73-12	1427-252-0070-0	COLLAR, THRUST Rondelle d'appui	1	1	1	1	★
73-13	V653-615-2122-0	NEEDLE/TLA1522 Roulement	1	1	1	1	★
73-14	V705-140-0210-0	RING, SNAP/C-TYPE 21 Collet d'axe	1	1	1	1	★
73-15	1427-253-0010-0	SHAFT, CHANGE Arbre primaire	1	1	1	1	★
73-16	V705-140-0400-0	RING, SNAP/C-TYPE 40 Collet d'axe	2	2	2	2	★
73-17	V600-110-6203-0	BEARING, RB/6203 Roulement	2	2	2	2	★
73-18	1427-253-0020-0	GEAR, COUNTER/16T Pignon etage	1	1	1	1	★
73-19	V704-140-0200-0	RING, SNAP/C-TYPE 20 Collet d'axe	1	1	1	1	★
73-20	1427-253-0030-0	GEAR, CHANGE/24T-32 Pignon	1	1	1	1	★
73-21	1427-252-0020-0	CAP, BLANK Fausset	1	1	1	1	★

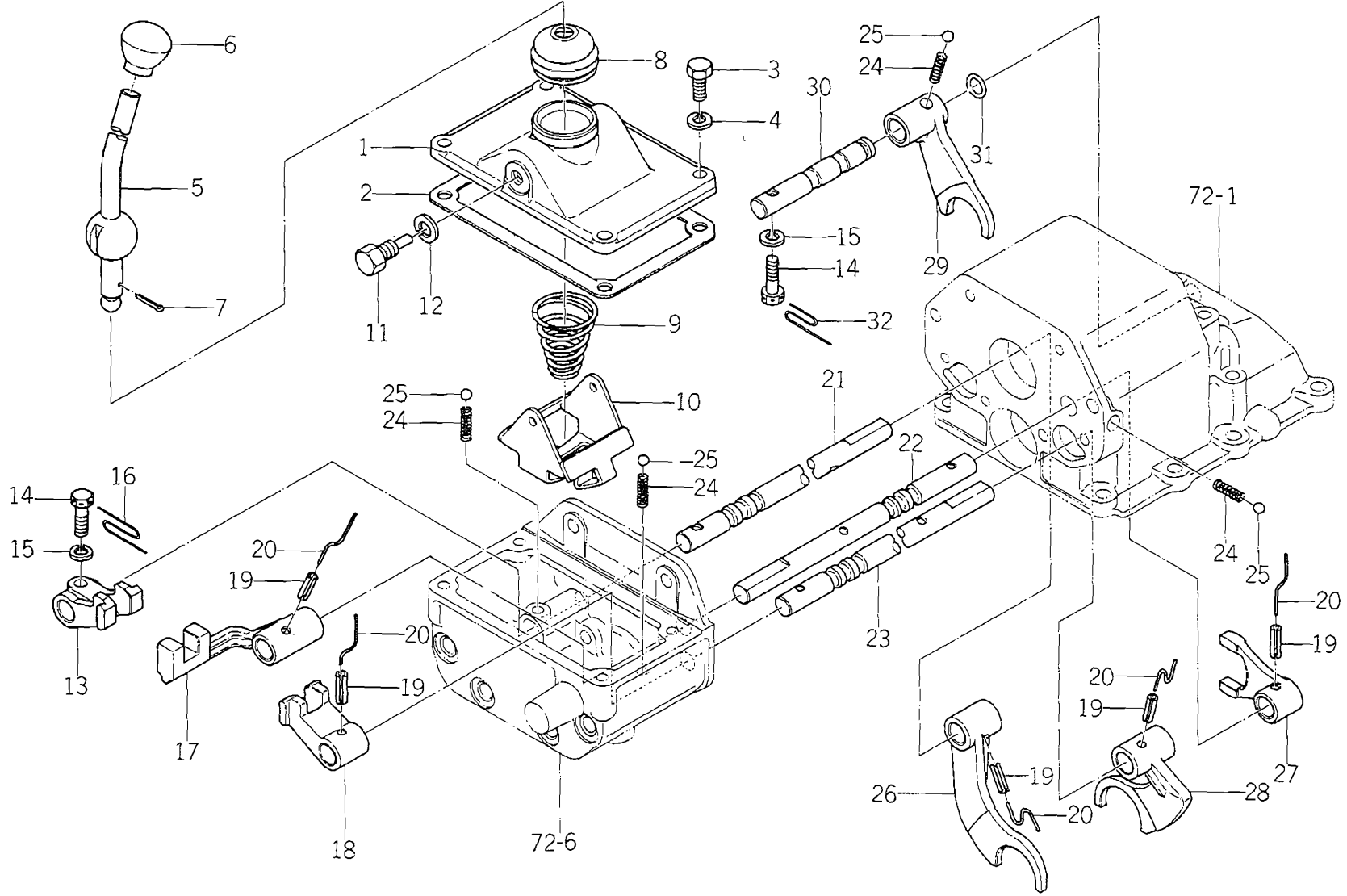
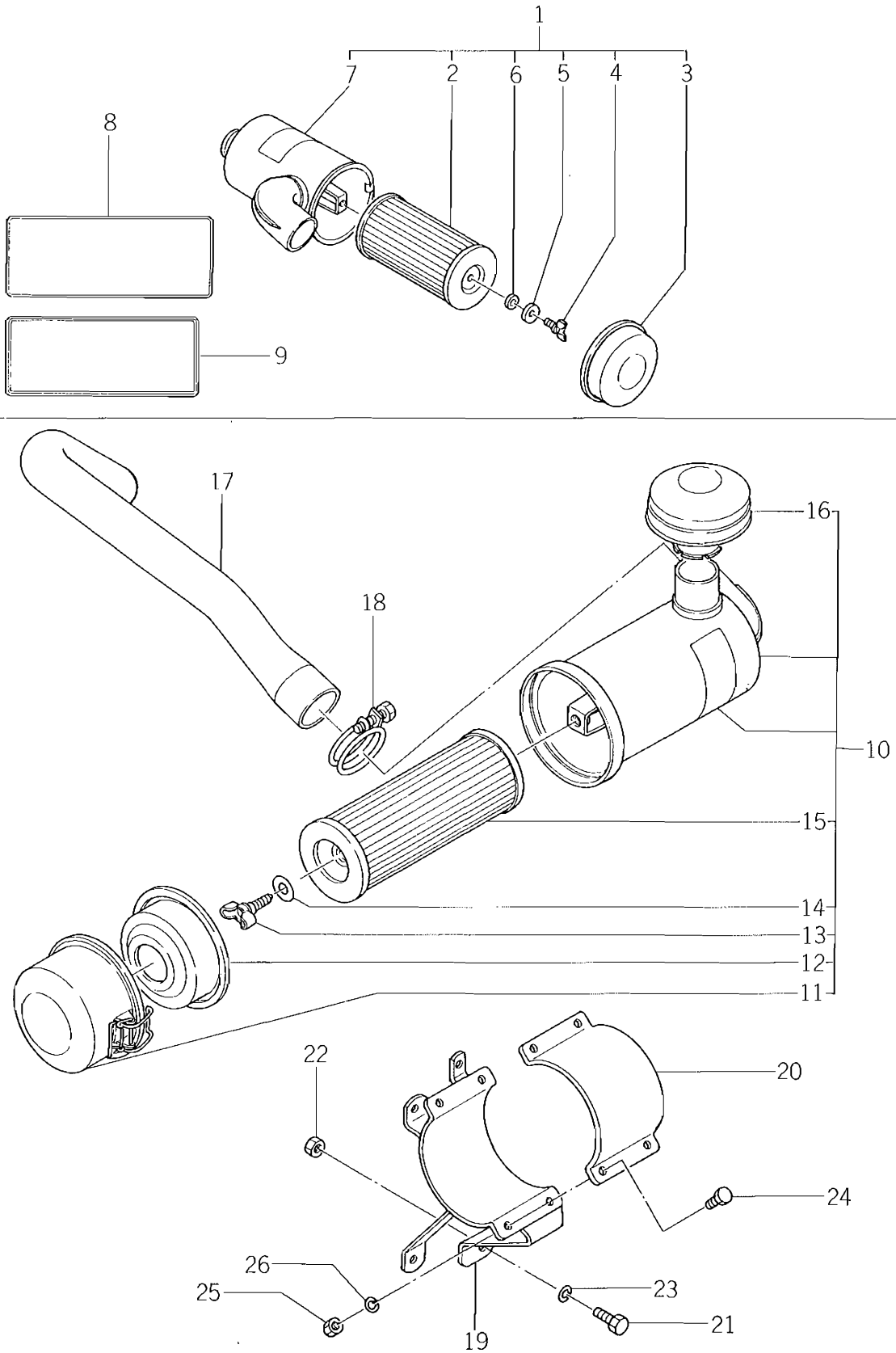


Fig. 74 CREEP SHIFTER SYSTEM

Ref N ^o .	Parts No.	Description	Model & Q'ty				Remarks
			Modél & Quant				
Réf N ^o .	Pièces No.	Désignation	TX 1300	TX 1300F	TX 1500	TX 1500F	Remarques
74- 1	1427-258-0010-0	METAL, CHANGE Couvercle	1	1	1	1	★
74- 2	1427-258-0020-0	PACKING, CHANGE METAL Joint	1	1	1	1	★
74- 3	V201-260-8020-0	BOLT/M8×20 Vis	4	4	4	4	★
74- 4	V401-160-0080-0	WASHER, SP/M8 Rondelle frein	4	4	4	4	★
74- 5	1427-258-0030-0	LEVER, MAIN CHANGE Lever de changement	1	1	1	1	★
74- 6	1414-207-0050-0	KNOB (48), LEVER Pommeau	1	1	1	1	★
74- 7	V500-153-0018-0	PIN, SPLIT/3×18 Goupille fendue	1	1	1	1	★
74- 8	1403-207-0010-0	BOOTS, CHANGE LEVER Cupule de rotule	1	1	1	1	★
74- 9	1427-258-0040-0	SPRING, CONICAL Ressort	1	1	1	1	★
74-10	1427-258-2000-0	PLATE, LOCK Arrctoir	1	1	1	1	★
74-11	1427-258-0050-0	BOLT, SET Vis	2	2	2	2	★
74-12	V401-160-0100-0	WASHER, SP/M10 Rondelle frein	2	2	2	2	★
74-13	1427-255-0030-0	ARM, HIGH SHIFT Doigt	1	1	1	1	★
74-14	1427-255-0040-0	BOLT/M8×25 Vis	2	2	2	2	★
74-15	V401-160-0080-0	WASHER, SP/M8 Rondelle frein	2	2	2	2	★
74-16		WIRE/1×140 Fil	1	1	1	1	★
74-17	1427-256-0030-0	ARM, CREEP SHIFT Doigt	1	1	1	1	★
74-18	1427-254-0030-0	ARM, LOW SHIFT Doigt	1	1	1	1	★
74-19	V580-140-6022-0	PIN, SPRING/6×22 Goupille elastique	5	5	5	5	★
74-20		WIRE/1×70 Fil	5	5	5	5	★
74-21	1427-255-0020-0	STAY, HIGH SHIFTER Guide fourchette	1	1	1	1	★
74-22	1427-256-0020-0	STAY, CREEP SHIFTER Guide fourchette	1	1	1	1	★
74-23	1427-254-0020-0	STAY, LOW SHIFTER Guide fourchette	1	1	1	1	★
74-24	1302-225-0030-0	SPRING, SHIFTER Ressort de fourchette	4	4	4	4	★
74-25	V680-200-0010-0	BALL, STEEL / 5/16" Bille de verrouillage	4	4	4	4	★
74-26	1427-255-0010-0	SHIFTER, HIGH Fourchette (hauts rapports)	1	1	1	1	★
74-27	1427-256-0010-0	SHIFTER, CREEP Fourchette (hauts rapports)	1	1	1	1	★
74-28	1427-254-0010-0	SHIFTER, LOW Fourchette (rapports lents)	1	1	1	1	★
74-29	1427-257-0010-0	SHIFTER, SUB Fourchette de subdivision	1	1	1	1	★
74-30	1427-257-0020-0	STAY, SUB SHIFTER Guide	1	1	1	1	★
74-31	V720-102-4010-0	O-RING/P10A Joint torique	1	1	1	1	★
74-32		WIRE/1×90 Fil	1	1	1	1	★

Fig. 75 AIR CLEANER (OPTION)



Ref No. Réf No.	Parts No. Pièces No.	Description Désignation	Model & Q'ty Modél & Quant				Remarks Remarques
			TX 1300	TX 1300 F	TX 1500	TX 1500 F	
75- 0-1	1427-954-2000-0	CLEANER, AIR SET Filtre a air	1	1	1	1	
75- 1	1427-952-2100-0	·CLEANER, AIR ASSY Filtre a air	1	1	1	1	
75- 2	1434-101-2220-0	··ELEMENT Cartouche	1	1	1	1	
75- 3	1427-952-2120-0	··COVER Couvercle	1	1	1	1	
75- 4	1427-952-2130-0	··BOLT, WING/M6×20 Vis a oreilles	1	1	1	1	
75- 5	1427-101-0170-0	··WASHER/M6 Rondelle	1	1	1	1	
75- 6	1427-952-2140-0	··PACKING (B) Joint	1	1	1	1	
75- 7	1427-952-2150-0	··LABEL (A) Etiquette	1	1	1	1	
75- 8	1427-954-0010-0	·MARK, AIR CLEANER (B) (F) Etiquette	1	1	1	1	
75- 9	1427-954-0020-0	·MARK, AIR CLEANER (B) (U) Etiquette	1	1	1	1	
75- 0-2	1427-956-2000-0	CLEANER, AIR SET Filtre a air	1	1	1	1	
75-10	1427-956-2100-0	·CLEANER, AIR ASSY Filtre a air	1	1	1	1	
75-11	1427-955-2120-0	··PAN, DUST Casserole	1	1	1	1	
75-12	1427-955-2130-0	··BAFFLE Tole directrice d'air	1	1	1	1	
75-13	1427-955-2140-0	··BOLT, WING Vis a oreilles	1	1	1	1	
75-14	1427-955-2150-0	··WASHER, SEAL Joint	1	1	1	1	
75-15	1427-955-2160-0	··ELEMENT Cartouche	1	1	1	1	
75-16	1427-955-2170-0	··CAP, RAIN Bouchon	1	1	1	1	
75-17	1427-955-0010-0	·HOSE/RUBBER Tuyau	1	1	1	1	
75-18	1415-101-0400-0	·CLIP (C) Collier	1	1	1	1	
75-19	1427-955-2300-0	·STAY, AIR CLEANER Support	1	1	1	1	
75-20	1427-955-2330-0	·PLATE, SET Plaque	1	1	1	1	
75-21	V201-261-2025-0	·BOLT/M12×25 Vis	4	4	4	4	
75-22	V300-260-0120-0	·NUT/M12 Erou	1	1	1	1	
75-23	V401-160-0120-0	·WASHER, SP/M12 Rondelle frein	1	1	1	1	
75-24	V201-260-8025-0	·BOLT/M8×25 Vis	4	4	4	4	
75-25	V300-260-0080-0	·NUT/M8 Erou *	4	4	4	4	
75-26	V401-160-0080-0	·WASHER, SP/M8 Rondelle frein	4	4	4	4	



NUMERICAL INDEX

Parts Code	Ref No.	Parts Code	Ref No.
1302-225-0030-0	29-12, 30-16, 74-24	1407-600-0520-0	58-20
1305-241-0010-0	27-32, 57-11	1407-621-0120-0	58-21
1305-931-0030-0	55-18	1411-401-0010-0	43-14
1325-930-1050-0	44-13	1411-411-0020-0	44-7
1326-706-0020-0	19-12, 19A-12 46-3, 49-3,	1411-411-0030-0	44-10
1326-708-0050-0	43-10	1411-621-0050-0	58-69, 58-71
1329-202-0011-0	22-33, 23-33	1412-411-0010-0	44-15
1329-202-0030-0	22-37, 23-37	1414-117-0040-0	54-19
1338-701-0060-0	53-18, 53-23	1414-117-0050-0	18-32
1340-253-0020-0	26-17	1414-207-0050-0	30-1, 74-6
1341-906-0010-0	62-3, 62-9	1414-403-0030-0	43-21
1342-402-0060-0	58-52	1414-403-0040-0	43-13
1352-404-0040-0	25-8	1414-406-0050-0	41-4
1365-224-0020-0	73-6	1414-502-0040-0	53-13
1401-122-0050-0	39-7	1414-503-0030-0	52-15
1401-906-0050-0	71-2	1414-503-0040-0	52-14
1402-500-9010-0	53-12, 55-2 62-5, 62-11	1414-616-0010-0	19-63
1402-500-9040-0	55-37	1414-616-0010-0	19A-66
1402-511-6000-0	55-35	1414-632-0050-0	57-13
1402-621-0130-0	58-22	1414-632-0070-0	57-9
1402-900-9030-0	62-4	1414-701-0050-0	53-21
1402-900-9030-0	62-10	1415-101-0400-0	75-18
1403-207-0010-0	30-3, 74-8	1415-312-5000-0	39-9
1403-312-0030-0	39-3	1415-312-6000-0	39-10
1403-621-0120-0	58-24	1415-505-0110-0	18-34
1403-621-0130-0	58-23	1415-505-0140-0	54-12
1403-621-0310-0	58-34, 58-36 58-38, 58-60	1415-505-0150-0	18-31
1404-117-0020-0	53-19	1416-120-0040-0	19-32, 19A-33
1404-312-0050-0	39-14	1416-511-5000-0	55-34
1404-312-0060-0	39-11	1416-600-0570-0	58-30
1404-402-0050-0	41-19, 43-26 43-31, 49-32	1416-621-0020-0	58-19
1404-500-9050-0	55-17	1417-201-0030-0	19A-67
1404-502-0130-0	53-10	1419-403-0010-0	43-12
1405-124-0040-0	40-17	1421-111-2100-0	18-24
1407-111-0010-0	18-23	1421-116-0010-0	18-42
1407-117-0070-0	18-33	1421-116-0020-0	18-44
1407-403-0020-0	44-17	1421-400-0520-0	41-8
1407-406-0020-0	41-9	1421-403-0070-0	43-17 a
1407-406-0040-0	41-10	1421-403-0080-0	43-18 a

Parts Code	Ref No.	Parts Code	Ref No.
1421-502-0010-0	53-16, 53-24	1427-101-0120-0	16-17
1421-502-0020-0	53-12a, 55-2a 62-5a, 62-11a	1427-101-0140-0	16-24
1421-600-0550-0	58-33	1427-101-0150-0	16-25
1421-600-0570-0	58-37	1427-101-0160-0	16-26
1421-611-0030-0	57-3	1427-101-0170-0	16-27, 75-5
1421-611-0040-0	57-12	1427-101-0180-0	16-28
1421-621-0020-0	18-8	1427-101-0210-0	16-31
1421-621-0360-0	58-51	1427-101-0211-0	16-31a
1421-903-0160-0	67-13	1427-101-0220-0	16-32
1421-903-0190-0	68-9	1427-101-0230-0	17-2
1421-904-0030-0	68-10	1427-101-0240-0	17-3
1421-904-0040-0	68-11	1427-101-0250-0	17-4
1421-904-0140-0	68-23	1427-101-2501-0	17-1
1421-904-0190-0	68-24	1427-101-0260-0	17-5
1421-906-0020-0	71-10	1427-101-2601-0	17-9
1421-922-0010-0	64-1	1427-101-0270-0	19-64, 19A-68
1423-520-0010-0	55-17a	1427-101-2701-0	17-10
1423-621-2010-0	58-72	1427-101-0280-0	16-43
1425-621-0040-0	25-15	1427-101-2300-0	16-23
1426-621-0330-0	58-61	1427-101-2800-0	16-35
1426-621-0350-0	58-24-1	1427-101-2820-0	16-36
1426-621-0360-0	58-58	1427-101-2830-0	16-37
1426-621-0380-0	58-67	1427-101-2840-0	16-38
1427-020-2002-0	32-13	1427-101-2850-0	16-39
1427-025-2000-0	72-0-1	1427-101-2860-0	16-40
1427-043-2000-0	48-1	1427-101-2870-0	16-41
1427-101-2000-0	16-0-1	1427-101-2880-0	16-42
1427-101-2200-0	16-1	1427-102-0010-0	4-20
1427-101-0010-0	16-2	1427-102-0020-0	4-21
1427-101-0020-0	16-3	1427-111-0010-0	18-25
1427-101-0030-0	16-4	1427-111-2000-0	18-21
1427-101-0040-0	16-5	1427-111-2100-0	18-27
1427-101-0050-0	16-6	1427-111-2201-0	18-1
1427-101-0060-0	16-7	1427-111-2400-0	18-5
1427-101-0070-0	16-11	1427-117-0010-0	18-35
1427-101-0080-0	16-14	1427-117-0020-0	18-45
1427-101-0090-0	16-15	1427-117-0030-0	18-38
1427-101-0091-0	16-15a	1427-117-2000-0	18-30
1427-101-0110-0	16-16	1427-122-0010-0	19-43

Parts Code	Ref No .	Parts Code	Ref No .
1427-122-0020-0	19-44	1427-120-0120-0	19A-23
1427-122-0030-0	19-46	1427-120-0130-0	19-23
1427-122-0040-0	19-40	1427-120-0130-0	19A-24
1427-122-0050-0	19-47	1427-120-0140-0	19-24
1427-122-0060-0	19-49	1427-120-0140-0	19A-25
1427-122-2000-0	19-39	1427-120-0150-0	19-25
1427-130-0000-0	22- 0-1	1427-120-0150-0	19A-26
1427-130-0001-0	22- 0-1 a	1427-120-0160-0	19-27
1427-130-2010-0	22- 2	1427-120-0160-0	19A-28
1427-130-2020-0	22-39, 23-39	1427-120-0170-0	19A-16
1427-130-2030-0	22-40, 23-40	1436-122-2000-0	19A-36
1427-130-2040-0	22-41, 23-41	1427-120-2001-0	19- 1
1427-130-2050-0	22-42, 23-42	1427-120-2002-0	19A- 1
1427-130-2060-0	22-43, 23-43	1427-120-2200-0	19-16
1427-130-2070-0	22-44, 23-44	1427-120-2300-0	19-20, 19A-21
1427-130-2100-0	22- 1	1427-120-2500-0	19-28, 19A-29
1427-130-2210-0	22- 9	1427-130-2010-0	23- 2
1427-130-2211-0	22- 9 a	1427-130-2100-0	23- 1
1427-130-2220-0	22-12	1427-130-2210-0	23- 9
1427-130-2221-0	22-12 a	1427-130-2211-0	23- 9 a
1427-130-2230-0	22-13	1427-130-2220-0	23-12
1427-130-2240-0	22-14	1427-130-2221-0	23-12 a
1427-130-2250-0	22-21	1427-130-2230-0	23-13
1427-130-2260-0	22-32	1427-130-2240-0	23-14
1427-130-2270-0	22-11 a	1427-130-2250-0	23-21
1427-130-2400-0	22- 4	1427-130-2260-0	23-32
1427-130-2401-0	22- 4 a	1427-130-2600-0	23-20
1427-130-2600-0	22-20	1427-130-2900-0	23-29
1427-130-2700-0	-22-38 23-38	1427-130-3000-0	25- 0-1
1427-130-2800-0	22-25	1427-130-3010-0	25- 5
1427-130-2900-0	22-29	1427-130-3030-0	25- 9
1427-120-0010-0	19-11, 19A-11	1427-130-3040-0	25-10
1427-120-0020-0	19-13, 19A-13	1427-130-3100-0	25- 1
1427-120-0030-0	19-33, 19A-18	1427-130-3101-0	25- 1 a
1427-120-0040-0	19-34	1427-130-3200-0	25- 2
1427-120-0050-0	19-17	1427-130-3300-0	25- 3
1427-120-0080-0	19-21, 19A-22	1427-130-3301-0	25- 3 a
1427-120-0120-0	19-22	1427-130-3302-0	25- 3 b
		1427-130-3400-0	25-10 a

Parts Code	Ref No .	Parts Code	Ref No .
1427-130-3401-0	25-10 b	1427-203-0043-0	28-21
1427-131-0000-0	23- 0-1	1427-203-0050-0	28-23
1427-131-0001-0	23- 0-1 a	1427-203-0060-0	28-24
1427-131-2010-0	23-11 a	1427-203-0070-0	28-25
1427-131-2100-0	23- 4	1427-203-0080-0	28-16, 31-4, 48-16
1427-131-2101-0	23- 4 a	1427-203-0090-0	28-17
1427-131-2200-0	23-25	1427-204-0010-0	28-40
1427-201-0010-0	26- 1	1427-204-0020-0	28-37
1427-201-0020-0	27- 1	1427-204-0030-0	28-39
1427-201-0030-0	27- 2	1427-205-0010-0	28-28
1427-201-0040-0	27- 7	1427-205-2000-0	28-32
1427-201-0050-0	26- 2	1427-207-0010-0	26-11
1427-201-0060-0	26- 3	1427-207-0020-0	26-12, 72- 2
1427-201-0070-0	26- 9	1427-207-0030-0	30- 2
1427-201-0080-0	26-10	1427-207-0040-0	30- 5
1427-201-0090-0	27-26	1427-207-0050-0	30- 4
1427-201-0110-0	27-29	1427-207-0060-0	30- 6
1427-201-0120-0	27- 9	1427-207-0070-0	30- 7
1427-201-0130-0	27-10	1427-207-0080-0	26-15
1427-201-0140-0	27-11	1427-208-2000-0	30-21
1427-201-0150-0	27-12	1427-208-2100-0	30-24
1427-201-0160-0	27-15	1427-209-2100-0	29- 2
1427-201-0170-0	27-13	1427-209-2000-0	29- 7
1427-201-0180-0	27-16	1427-210-0010-0	30-12
1427-201-0190-0	27-17	1427-210-0020-0	30-10
1427-201-0210-0	27-34	1427-210-0030-0	30-18
1427-201-2003-0	27-20	1427-210-0040-0	26-18, 30-36 72- 4, 72- 8
1427-201-2103-0	27-21	1427-210-0050-0	30-13
1427-201-2201-0	53-26	1427-210-0061-0	30-11
1427-201-2301-0	27-28	1427-210-0070-0	30-15
1427-202-0010-0	28- 1	1427-210-0080-0	29- 8
1427-202-0020-0	28- 7	1427-210-0090-0	29- 9
1427-202-0030-0	28- 8	1427-210-0110-0	29-15
1427-202-0040-0	28- 9	1427-210-2000-0	29-10
1427-202-0050-0	28-10	1427-211-0030-0	28-35
1427-202-0060-0	28-13	1427-211-0040-0	31- 5
1434-203-0010-0	28-21 a	1427-211-2001-0	28-34
1427-203-0020-0	28-18	1427-211-2100-0	28-29
1427-203-0031-0	28-19	1427-212-0010-0	31- 1

Parts Code	Ref No.	Parts Code	Ref No.
1427-212-0020-0	31- 7	1427-258-0020-0	74- 2
1427-212-0030-0	31- 3	1427-258-0030-0	74- 5
1427-216-0010-0	30-29	1427-258-0040-0	74- 9
1427-216-0020-0	30-28	1427-258-0050-0	74-11
1427-216-0031-0	30-32	1427-258-2000-0	74-10
1427-216-2000-0	30-30	1427-259-2000-0	72-17
1427-216-2100-0	30-31	1427-301-0021-0	32- 4
1427-218-2000-0	27-36	1427-301-0030-0	32- 7, 48- 7
1427-218-2100-0	27-37	1427-301-0040-0	32-11
1427-219-0010-0	27-42	1427-301-0050-0	32-12, 48- 9
1427-219-2000-0	27-39	1427-301-0060-0	32- 9
1427-219-2100-0	27-40	1427-301-0070-0	32- 8
1427-251-0010-0	72- 1	1427-301-0080-0	32-14, 48- 5
1427-251-0020-0	72- 6	1427-301-0090-0	32-10
1427-251-0030-0	72- 7	1427-301-0110-0	32-17
1427-251-0040-0	72- 3	1427-301-0120-0	32- 1
1427-252-0010-0	73- 1	1427-301-0131-0	32- 2
1427-252-0020-0	73- 2, 73-21	1427-301-0140-0	32-21
1427-252-0030-0	73- 5	1427-301-0151-0	32-22
1427-252-0040-0	73- 7	1427-301-0160-0	32-23
1427-252-0050-0	73-10	1427-301-0170-0	32-24
1427-252-0060-0	73-11	1427-301-0180-0	32-20
1427-252-0070-0	73-12	1427-301-0190-0	39-31
1427-253-0010-0	73-15	1427-301-0210-0	39-24
1427-253-0020-0	73-18	1427-301-0220-0	39-26
1427-253-0030-0	73-20	1427-301-2000-0	39-23
1427-254-0010-0	74-28	1427-301-2100-0	39-22
1427-254-0020-0	74-23	1427-306-0010-0	34- 1
1427-254-0030-0	74-18	1427-306-0020-0	34- 2
1427-255-0010-0	74-26	1427-306-0030-0	34- 3
1427-255-0020-0	74-21	1427-307-0010-0	34-10
1427-255-0030-0	74-13	1427-307-0020-0	34-17
1427-255-0040-0	74-14	1427-307-0030-0	34-18
1427-256-0010-0	74-27	1427-307-0040-0	34-19
1427-256-0020-0	74-22	1427-310-0010-0	37- 2, 37-10 38- 2, 38-18
1427-256-0030-0	74-17	1427-310-0020-0	37-17, 38-33
1427-257-0010-0	74-29	1427-310-2000-0	37- 0-1
1427-257-0020-0	74-30	1427-310-2100-0	37- 1, 37- 9 38- 1, 38-17
1427-258-0010-0	74- 1	1427-310-2200-0	37- 3, 37-11

Parts Code	Ref No.	Parts Code	Ref No.
1427-310-2300-0	37- 4	1427-317-2000-0	34- 0-4
1427-310-2400-0	37- 6, 37-14	1427-317-2001-0	34- 0-4 a
1427-310-2500-0	37- 0-2	1427-317-2010-0	34-38
1427-310-2700-0	37-12	1427-317-2100-1	34-29, 34-37
1427-311-2000-0	38- 0-1	1427-317-2200-0	34- 0-5
1427-311-2010-0	38- 5, 38-21	1427-317-2201-0	34- 0-5 a
1427-311-2020-0	38- 6	1427-332-2100-0	44- 0-2
1427-311-2030-0	38-13, 38-29	1427-332-2110-0	44-19
1427-311-2040-0	38-14, 38-30	1427-332-2200-1	44-18
1427-311-2050-0	38-15, 38-31	1427-336-2100-0	34- 0-1
1427-311-2100-0	38- 3, 38-19	1427-336-2200-0	34- 0-2
1427-311-2200-0	38- 4, 38-20	1427-337-2100-0	50- 0-4
1427-311-2300-0	38- 7	1427-337-2110-0	50-32
1427-311-2400-0	38-10	1427-337-2120-0	50-33
1427-311-3000-0	38- 0-2	1427-337-2200-1	50-31
1427-311-3010-0	38-22	1427-337-2300-0	34- 0-3
1427-311-3100-0	38-23	1427-337-2310-0	34-34
1427-311-3200-0	38-26	1427-337-2320-0	34-35
1427-312-0010-0	39- 2	1427-337-2400-1	34-33
1427-312-0020-0	39-18	1427-401-0010-0	43- 5
1427-312-2000-0	19-38, 19A-35	1427-401-2100-0	43- 1
1427-312-2100-0	39- 1	1427-404-0011-0	56-28-2
1427-312-2200-0	39- 4	1427-402-2001-0	56-23-1
1427-312-2300-0	39- 6	1427-403-0010-0	43-16
1427-312-2400-0	39-17	1427-403-0020-0	43-36
1427-313-0010-0	40- 5	1427-403-0031-0	43-16 a
1427-313-0020-0	40-10	1427-403-2001-0	43- 9
1427-313-0030-0	40-16	1427-403-2101-0	43-20
1427-313-0040-0	40-18	1427-403-2200-0	43- 9 a
1427-313-0050-0	40-23	1427-403-2300-0	43-20 a
1427-313-2000-0	40- 1	1427-406-0150-0	41- 2-1
1427-313-2200-0	40- 2	1427-406-0160-0	41- 4-1
1427-313-2301-0	40- 8	1427-406-0170-0	41- 5-1
1427-313-2401-0	40- 9	1427-406-0180-0	41-16
1427-313-2500-0	40-12	1427-406-2000-0	41- 1-1
1427-317-0010-0	34-11	1427-406-2400-0	41-15-1
1427-317-0020-0	34-12	1427-411-2000-0	44- 0-1-1
1427-317-0030-0	34-13	1427-411-2100-1	44- 4-1
1427-317-0040-0	34-28	1427-431-0011-0	46- 1

Parts Code	Ref No.	Parts Code	Ref No.
1427-431-0012-0	46- 1a	1427-433-0060-0	50-18
1427-431-0020-0	46- 6	1427-433-0070-0	49- 7
1427-431-0030-0	46- 9, 43- 6	1427-433-0080-0	49- 8
1427-431-0050-0	48-17	1427-433-0090-0	50- 9
1427-431-0060-0	46-12	1427-433-0110-0	50-10
1427-431-0070-0	46-13	1427-433-0120-0	50-15
1427-431-0080-0	47- 1	1427-433-0130-0	49-13
1427-431-0090-0	47- 2, 47-14, 50-24	1427-433-0140-0	49-20
1427-431-0110-0	47- 3, 47-13	1427-433-0150-0	46-28
1427-431-0120-0	47- 7-1	1427-433-0160-0	49-21
1427-431-0130-0	47- 9	1427-433-0170-0	49-22
1427-431-0140-0	47-11	1427-433-0180-0	49-23
1427-431-2000-0	43- 2, 46- 4	1427-433-0190-0	49-24
1427-431-2100-0	47- 0-1	1427-433-0210-0	49-27
1427-431-2200-0	47- 0-2	1427-433-0220-0	49-28, 43-37
1427-431-2300-0	47- 8	1427-433-0230-0	43-35, 49-29
1427-432-0010-0	68- 4	1427-433-0250-0	43-25, 43-30, 49-33
1427-432-0020-0	48- 2	1427-433-2000-0	50- 0-3
1427-432-0030-0	48- 8	1427-433-2100-0	49-11
1427-432-0040-0	48-10	1427-433-2200-0	49-12
1427-432-0050-0	48-11	1427-433-2300-0	49-17
1427-432-0060-0	48-13	1427-433-2400-0	43-29, 49-30
1427-432-0070-0	48-14	1427-433-2500-0	43-24, 49-31
1427-432-0080-0	46-17	1427-441-2000-0	50- 0-1
1427-432-0090-0	46-21	1427-441-2001-0	50- 0-1a
1427-432-0110-0	46-18	1427-441-2010-0	50-2a, 50-6a
1427-432-0120-0	46-22	1427-441-2100-1	50- 1, 50- 5
1427-432-0130-0	46-25	1427-441-2200-0	50- 0-2
1427-432-0140-0	46-19	1427-441-2201-0	50- 0-2a
1427-432-0150-0	50-27	1427-501-0010-0	52- 1
1427-432-0160-0	50-28	1427-501-0020-0	53- 3
1427-432-0170-0	48-20	1427-501-0030-0	53- 4
1427-432-2000-0	46-17a	1427-501-0040-0	52- 2
1427-432-2100-0	46-18a	1427-501-0060-0	52-21
1427-433-0010-0	49- 1	1427-502-0010-0	53- 1
1427-433-0020-0	49- 4	1427-502-0020-0	52- 8
1427-433-0030-0	50-23	1427-502-0030-0	53- 9
1427-433-0040-0	50-25	1427-502-0040-0	52-23
1427-433-0050-0	50-20	1427-502-0050-0	53-15

Parts Code	Ref No.	Parts Code	Ref No.
1427-502-2000-0	53-6	1427-511-3100-0	55-19
1427-502-2010-0	53-7	1427-511-3200-0	55-12b
1427-503-0010-0	52-13	1427-512-2000-0	55-38
1427-503-0021-0	52-7	1427-601-0010-0	56-2
1427-503-0031-0	52-9	1427-601-0020-0	56-4
1427-503-0040-0	52-10	1427-601-0030-0	56-3
1427-503-0050-0	52-11	1427-601-0030-0	22-31, 23-31
1427-503-0060-0	54-1	1427-601-0041-0	56-17
1427-503-0071-0	54-22	1427-601-0050-0	16-34
1427-503-0080-0	54-26	1427-601-0060-0	56-13
1427-503-2000-0	54-7	1427-601-0070-0	56-8
1427-503-2100-0	54-14	1427-601-2000-1	56-1
1427-503-2201-0	54-2	1427-601-2101-0	56-16
1427-503-2202-0	54-2a	1427-601-2200-0	16-33
1427-503-2300-0	54-8	1427-601-2201-0	16-33a
1427-503-2301-0	54-8a	1427-601-2301-0	56-19
1427-503-2302-0	54-8b	1427-601-2401-0	56-22
1427-503-2400-0	54-18	1427-601-2402-0	56-22a
1427-511-0000-0	55-0-1	1427-601-2500-0	56-26
1427-511-0010-0	55-9	1427-601-2600-0	56-27
1427-511-0020-0	55-8	1427-601-2700-0	56-19a
1427-511-0030-0	55-31	1427-601-2701-0	56-19b
1427-511-0040-0	55-28	1427-602-0010-0	18-18
1427-511-0050-0	55-24	1427-602-0020-0	18-19
1427-511-0061-0	55-3	1427-602-0030-0	18-20
1427-511-0071-0	55-4	1427-602-0040-0	16-45
1427-511-0080-0	55-12a	1427-602-2002-0	56-10
1427-511-2000-0	55-1	1427-602-2003-0	56-10a
1427-511-2100-0	55-14	1427-602-2200-0	58-11
1427-511-2200-0	55-11	1427-602-2300-0	16-18
1427-511-2300-0	55-12	1427-602-2301-0	16-18a
1427-511-2400-0	55-15	1427-602-2400-0	16-44
1427-511-2500-0	55-33	1427-603-2000-1	41-11
1427-511-2600-0	55-36	1427-605-0010-0	56-8-1
1427-511-2700-0	55-16	1427-606-0010-0	57-27
1427-511-2800-0	55-27	1427-606-2000-1	57-19
1427-511-2900-0	55-23	1427-606-2100-1	57-18
1427-511-2730-0	55-30	1427-606-2200-0	57-23
1427-511-3000-0	55-32	1427-608-2000-1	41-11-1

Parts Code	Ref No .	Parts Code	Ref No .
1427-611-0010-0	57-17	1427-621-3240-0	58-7a
1427-611-2000-0	57-0-1	1427-623-0010-0	58-62
1427-611-2100-1	57-1	1427-623-0020-0	58-63
1427-611-2200-0	57-2	1427-623-0030-0	58-64
1427-611-2301-0	57-8	1427-623-0040-0	58-65
1429-616-2001-0	19-59	1427-623-0050-0	58-66
1427-616-2002-0	19-53	1427-623-2000-0	58-59
1427-616-2102-0	19-54, 19A-58	1427-623-2101-0	58-68
1427-621-0020-0	18-9	1427-623-2200-0	58-70
1427-621-0030-0	18-14	1427-903-0040-0	68-12
1427-621-0040-0	18-13	1427-904-0010-0	67-14
1427-621-0050-0	18-6	1427-904-0020-0	67-16
1427-621-0060-0	18-10	1427-904-0041-0	68-1
1427-621-0070-0	18-11	1427-904-0061-0	68-2
1427-621-0080-0	58-15	1427-906-0010-0	71-1
1427-621-0110-0	58-39	1427-906-2000-0	71-12
1427-621-0120-0	58-41	1427-909-2000-0	70-0-1
1427-621-0130-0	58-2	1427-909-2010-0	70-3
1427-621-0140-0	58-3	1427-909-2020-0	70-1
1427-621-0150-0	58-7	1427-909-2030-0	70-10
1427-621-0170-0	58-43	1427-909-2040-0	70-9
1427-621-0180-0	58-44	1427-909-2050-0	70-8
1427-621-0190-0	56-36	1427-909-2060-0	70-17
1427-621-0210-0	58-46	1427-909-2200-0	70-2
1427-621-0211-0	58-46a	1427-909-2300-0	70-16
1427-621-0220-0	58-47	1427-909-2400-0	70-5
1427-621-0230-0	58-48	1427-909-2500-0	70-18
1427-621-0240-0	58-49	1427-916-0000-0	17-0-2
1427-621-0250-0	58-50	1427-916-0010-0	17-20
1427-621-0260-0	58-57	1427-916-0020-0	17-21
1427-621-2000-0	18-7	1427-916-0030-0	17-23
1427-621-2100-0	18-12	1427-916-0040-0	17-24
1427-621-2200-0	58-35	1427-916-2000-0	17-22
1427-621-2300-0	58-1	1427-916-3000-0	17-0-1
1427-621-2400-0	58-4	1427-917-2000-0	17-17
1427-621-2700-0	58-42	1427-921-0000-0	62-1
1427-621-2900-0	58-45	1427-921-2100-0	62-2
1427-621-3001-0	56-35	1427-921-2200-0	62-8, 62-6
1427-621-3200-0	58-1a	1427-922-2000-0	64-8

Parts Code	Ref No.	Parts Code	Ref No.
1427-922-2100-0	64-5, 64-9	1427-934-0150-0	69-14
1427-922-2200-0	64-16	1427-934-0160-0	69-15
1427-922-2300-0	64-17	1427-934-0170-0	69-16
1427-923-2000-0	64-12	1427-934-0180-0	69-18
1427-926-0000-0	62-7	1427-934-0190-0	69-19
1427-926-2000-0	62-12	1427-934-0210-0	69-17
1427-930-0010-0	67-1	1427-937-0010-0	68-17
1427-931-0010-0	67-3	1427-937-0020-0	67-6
1427-932-0020-0	68-20	1427-937-0030-0	67-7
1427-932-0030-0	68-21	1427-937-0040-0	68-3
1427-932-0040-0	68-22	1427-937-0050-0	68-5
1427-932-0050-0	67-18	1427-937-0060-0	67-8
1427-932-0060-0	67-19	1427-937-0070-0	68-6
1427-932-0070-0	67-20	1427-937-0080-0	67-10
1427-932-0080-0	67-21	1427-937-0090-0	67-11
1427-932-0090-0	67-22	1427-937-0110-0	68-7
1427-932-0110-0	67-23	1427-937-0120-0	67-9
1427-932-0120-0	25-16	1427-937-0130-0	67-12
1427-932-0130-0	67-24	1427-937-0140-0	68-8
1427-932-0140-0	67-25	1427-937-0150-0	68-13
1427-932-0150-0	67-26	1427-937-0160-0	68-14
1427-932-0160-0	67-27	1427-937-0170-0	68-19
1427-932-0170-0	67-28	1427-937-0180-0	68-18
1427-932-0180-0	67-29	1427-941-0020-0	67-6a
1427-932-0190-0	67-30	1427-941-0031-0	68-2b
1427-934-0010-0	69-1	1427-941-0080-0	67-8a
1427-934-0020-0	69-2	1427-941-0110-0	68-6a
1427-934-0030-0	69-3	1427-941-0160-0	67-12a
1427-934-0040-0	69-4	1427-941-0190-0	68-10a
1427-934-0050-0	69-5	1427-941-0210-0	68-11a
1427-934-0051-0	69-5a	1427-941-0250-0	68-15
1427-934-0060-0	69-6	1427-941-0260-0	68-16
1427-934-0070-0	69-7	1427-941-0270-0	22-46, 23-46
1427-934-0080-0	69-8	1427-943-0041-0	68-19a
1427-934-0090-0	69-9	1427-944-0010-0	68-5a
1427-934-0110-0	69-10	1427-952-2100-0	75-1
1427-934-0120-0	69-11	1427-952-2120-0	75-3
1427-934-0130-0	69-12	1427-952-2130-0	75-4
1427-934-0140-0	69-13	1427-952-2140-0	75-6

Parts Code	Ref No.	Parts Code	Ref No.
1427-952-2150-0	75-7	1429-431-0010-0	47-7
1427-953-0010-0	71-14	1429-602-0010-0	56-31
1427-953-0020-0	71-16	1429-602-0020-0	56-32
1427-954-0010-0	75-8	1429-602-0030-0	56-33
1427-954-0020-0	75-9	1429-602-0040-0	56-34
1427-954-2000-0	75-0-1	1429-616-2001-0	19A-62
1427-955-0010-0	75-17	1429-616-2101-0	19-60, 19A-63
1427-955-2120-0	75-11	1429-903-0010-0	67-15
1427-955-2130-0	75-12	1429-903-0020-0	67-17
1427-955-2140-0	75-13	1429-922-2000-0	64-4
1427-955-2150-0	75-14	1429-930-0010-0	67-2
1427-955-2160-0	75-15	1429-931-0010-0	67-4
1427-955-2170-0	75-16	1431-935-0070-0	69-16 a
1427-955-2300-0	75-19	1434-101-2220-0	75-2
1427-955-2330-0	75-20	1434-120-0010-0	19A-34
1427-956-2000-0	75-0-2	1434-122-0020-0	19A-48
1427-956-2100-0	75-10	1434-122-0050-0	19A-43
1429-205-0010-0	28-28-1	1434-203-0020-0	28-25 a
1429-317-2000-0	34-0-6	1434-211-0010-0	28-29 a-1
1429-317-2001-0	34-0-6 a	1434-211-0020-0	28-29 a-2
1429-317-2010-0	34-42 a	1434-211-0030-0	28-35 a
1429-317-2100-1	34-29-1, 34-41	1434-211-0040-0	28-43
1429-317-2200-0	34-0-7	1434-211-2000-0	28-34 a
1429-317-2201-0	34-0-7 a	1434-216-0010-0	30-29 a
1429-331-2100-0	34-0-1-1	1434-216-0011-0	30-29 b
1429-331-2200-0	34-0-2-1	1434-216-0020-0	30-28 a
1429-337-2100-0		1434-312-0010-0	39-33, 40-22
1429-337-2110-0	34-34-1	1434-502-0030-0	52-23 a
1429-337-2120-0	34-35-1	1434-503-2000-0	54-7 a
1429-337-2200-1	34-33-1	1434-611-2000-0	57-0-1 a
1429-402-0013-0	56-28-1	1434-611-2100-1	57-1 a
1429-402-2001-0	56-23	1434-903-0040-0	68-2 a
1429-404-0012-0	56-28	1436-122-0010-0	19A-47
1429-406-2000-0	41-1	1436-122-0020-0	19A-54
1429-406-2010-0	41-2	1436-122-0030-0	19A-55
1429-406-2020-0	41-5	1436-122-0090-0	19A-42
1429-406-2100-0	41-15	1436-122-0110-0	19A-39
1429-411-2000-0	44-0-1	1436-122-0120-0	19A-53
1429-411-2100-1	44-4	1436-122-2200-0	19A-50

Parts Code	Ref No.	Parts Code	Ref No.
1436-616-2000-0	19A-57	5650-040-0420-0	3-11
1436-621-0010-0	58-39 a	5650-040-0440-0	3- 1
3560-103-3050-0	44-21	5650-040-0460-0	3- 4
3560-702-0010-0	71-13	5650-040-0470-0	4- 1-1
3737-154-0020-0	57- 9 a	5650-040-0471-0	
3737-172-0090-0	58-53	5650-040-0472-0	
3750-412-0030-0	71-11	5650-040-0473-0	
3762-174-2000-0	56-40	5650-040-0474-0	
4106-105-3030-0	25-4, 29-1, 30-25	5650-040-0481-0	12- 6
5650-030-4916-0	7A-17	5650-040-0554-0	4- 7
5650-030-4916-0	7-21	5650-040-0557-0	4- 7-1
5650-031-6305-0	1- 6 a	5650-040-0560-0	4-10
5650-040-0211-0	2- 1	5650-040-0574-0	4-12
5650-040-0212-0	2- 1 a	5650-040-0578-0	4-11
5650-040-0235-0	2-16	5650-040-0580-0	4- 8
5650-040-0240-0	2-3, 2-18	5650-040-0590-0	4-15
5650-040-0241-0	2-3-1, 2-18-1	5650-040-0610-0	4-17
5650-040-0242-0	2-3-2, 2-18-2	5650-040-0630-0	4- 3-1
5650-040-0243-0	2-3-3, 2-18-3	5650-040-0650-0	4- 6-1
5650-040-0255-0	2-17	5650-040-0651-0	
5650-040-0260-0	2-19	5650-040-0652-0	
5650-040-0281-0	1- 1	5650-040-0653-0	
5650-040-0285-0	1- 1 a	5650-040-0690-0	4- 6
5650-040-0291-0	1- 4	5650-040-0691-0	
5650-040-0292-0	1- 4 a	5650-040-0692-0	
5650-040-0293-0	1- 4 b	5650-040-0693-0	
5650-040-0298-0	1- 7	5650-040-0805-0	4- 2-1
5650-040-0320-0	1-12	5650-040-0806-0	
5650-040-0325-0	1-12 a	5650-040-0807-0	
5650-040-0330-0	1-13	5650-040-0808-0	
5650-040-0348-0	2- 1-1 a	5650-040-0809-0	
5650-040-0351-0	2- 1-1	5650-040-0861-0	7- 1
5650-040-0365-0	1- 1-1	5650-040-0862-0	7A- 1
5650-040-0366-0	1- 1-1 a	5650-040-0866-0	7A- 2
5650-040-0372-0	1- 4-1	5650-040-0873-0	7-10 a
5650-040-0374-0	1- 4-1 a	5650-040-0875-0	7-11 a
5650-040-0375-0	1- 4-1 b	5650-040-0880-0	7- 2
5650-040-0380-0	12- 5	5650-040-0881-0	7A-14
5650-040-0410-0	3- 6	5650-040-0889-0	7A- 7

Parts Code	Ref No .	Parts Code	Ref No .
5650-040-0902-0	7- 5	5650-040-1266-0	6-11
5650-040-0904-0	7- 5 a	5650-040-1271-0	6-17
5650-040-0909-0	7A-16	5650-040-1282-0	6-14
5650-040-0916-0	7A-18	5650-040-1290-0	6-19
5650-040-0918-0	7A-19	5650-040-1310-0	12- 1
5650-040-0922-0	7-6-1, 8-0-1-1	5650-040-1312-0	12- 1 a
5650-040-0924-0	7-6-1a, 8-0-1-1a	5650-040-1400-0	11- 1
5650-040-0931-0	7- 6, 8-0-1	5650-040-1401-0	11- 1 a
5650-040-0933-0	7- 6 a, 8-0-1a	5650-040-1402-0	11-23
5650-040-0941-0	7- 8 a	5650-040-1416-0	11-18
5650-040-0942-0		5650-040-1482-0	11-21
5650-040-0943-0		5650-040-1600-0	13-15
5650-040-0944-0		5650-040-1611-0	11-15
5650-040-0945-0		5650-040-1621-0	13-12
5650-040-0946-0		5650-040-1630-0	13-22 a
5650-040-0947-0		5650-040-1664-0	13- 2
5650-040-0948-0		5650-040-1670-0	13- 8
5650-040-0949-0		5650-040-1896-0	2-22
5650-040-0962-0	7-10	5650-040-1931-0	1-15-1
5650-040-0967-0	7-11	5650-040-1932-0	1-15
5650-040-0987-0	7-18	5650-040-1957-0	1-16
5650-040-0995-0	10- 3	5650-040-1958-0	1-16-1
5650-040-1002-0	2- 5	5650-040-1988-0	2- 7
5650-040-1006-0	10- 1	5650-040-2940-0	7- 8
5650-040-1010-0	10- 6	5650-040-2941-0	7- 8-1
5650-040-1020-0	10- 7	5650-040-2942-0	7- 8-2
5650-040-1027-0	10-10	5650-040-2971-0	7-15
5650-040-1028-0	10-15	5650-040-4298-0	1- 2
5650-040-1032-0	10-13	5650-040-4539-0	4- 4-1
5650-040-1063-0	10-18	5650-040-4871-0	7A- 5
5650-040-1072-0	10- 4	5650-040-4873-0	7A- 3
5650-040-1080-0	10-19	5650-040-4874-0	7A- 4
5650-040-1206-0	3-18 a	5650-040-4875-0	7A- 6
5650-040-1211-0	6- 1	5650-040-4877-0	7A- 8
5650-040-1218-0	6- 2	5650-040-4878-0	7A- 9
5650-040-1220-0	6- 3	5650-040-4879-0	7A-10
5650-040-1221-0	6- 3 a	5650-040-4880-0	7A-13
5650-040-1251-0	6- 4	5650-040-4881-0	7A-11
5650-040-1260-0	6- 6	5650-040-4884-0	7A-12

Parts Code	Ref No.	Parts Code	Ref No.
5650-040-5450-0	11-13	5650-050-0231-0	8-15
5650-040-6440-0	4-1	5650-050-0232-0	8-16
5650-040-6441-0	4-1	5650-050-0234-0	8-22
5650-040-6442-0		5650-050-0237-0	8-29
5650-040-6443-0		5650-050-0243-0	8-29-1
5650-040-6444-0		5650-050-0244-0	8-29-4, 8-30
5650-040-6482-0	4-1-1a	5650-050-0246-0	8-29-5, 8-30-1
5650-040-6483-0		5650-050-0247-0	8-29-2
5650-040-6484-0		5650-050-0249-0	8-29-3
5650-040-6485-0		5650-050-0250-0	8-21
5650-040-6505-0	4-1-1a	5650-050-0277-0	8-17
5650-040-6600-0	4-2	5650-050-0288-0	8-30-2
5650-040-6601-0		5650-050-0293-0	8-30-3
5650-040-6602-0		5650-050-0299-0	8-13
5650-040-6603-0		5650-050-0309-0	8-13-1
5650-040-6604-0		5650-050-0310-0	8-13-2
5650-040-6605-0	4-2-1a	5650-050-0311-0	8-13-3
5650-040-6606-0		5650-050-0312-0	8-13-4
5650-040-6607-0		5650-050-0314-0	8-13-5
5650-040-6608-0	4-2-1a	5650-050-0315-0	8-13-6
5650-040-6609-0		5650-050-0316-0	8-12
5650-040-6630-0	4-1a	5650-050-0336-0	8-6
5650-040-6631-0		5650-050-0360-0	8-11
5650-040-6632-0		5650-050-0403-0	8-20
5650-040-6633-0		5650-050-0429-0	8-2
5650-040-6634-0		5650-050-0431-0	8-26
5650-040-6640-0	4-1-1b	5650-050-0438-0	8-27
5650-040-6641-0		5650-050-1046-0	8-7
5650-040-6642-0		5650-050-1047-0	8-5
5650-040-6643-0		5650-050-1051-0	8-1
5650-040-6644-0		5650-050-1052-0	8-1-1
5650-040-9311-0	11-19	5650-050-1077-0	8-24
5650-040-9381-0	11-15a	5650-050-1078-0	8-23
5650-050-0114-0	8-18	5650-050-1097-0	8-4a
5650-050-0224-0	8-3	5650-050-1098-0	8-10
5650-050-0225-0	8-4	5650-050-1111-0	8-31
5650-050-0228-0	8-8	5650-050-1112-0	8-31-1
5650-050-0229-0	8-9	5650-050-1113-0	8-31-2
5650-050-0230-0	8-14	5650-050-1114-0	8-31-3

Parts Code	Ref No.	Parts Code	Ref No.
5650-050-1115-0	8-31-4	5660-024-1226-0	7-14
5650-050-1116-0	8-31-5	5660-024-1253-0	13-9
5650-050-1117-0	8-31-6	5660-024-1256-0	11-14 a, 11-20
5650-050-1118-0	8-31-7	5660-024-1257-0	11-14
5650-050-1119-0	8-31-8	5660-024-1263-0	6-12
5650-050-1131-0	8-31-9	5660-040-2583-0	1-11
5650-050-1132-0	8-31-10	5660-040-2585-0	2-13
5650-050-1133-0	8-31-11	5660-040-2621-0	2-14
5650-050-1134-0	8-31-12	5660-040-4526-0	3-9
5650-050-1152-0	8-19	5660-043-0004-0	10-20 a
5650-050-1181-0	8-1a	5660-043-0005-0	13-7, 3-21
5650-050-1182-0	8-1-1a	5660-043-0006-0	1-8
5650-050-1183-0	8-25	5660-043-0007-0	3-16
5650-050-1185-0	8-8-1	5660-043-0724-0	10-20
5650-900-3010-0	6-10	5660-043-0725-0	10-12, 10-17
5650-900-5010-0	8-28	5660-043-0727-0	6-16
5650-900-5020-0	8-28-1	5660-043-0733-0	4-14
5650-900-5030-0	8-28-2	5660-043-0841-0	13-18
5650-900-5040-0	8-28-3	5660-043-0842-0	13-20
5651-402-0807-0	2-12	5660-045-0004-0	7-4
5651-661-1200-0	6-15, 7-7	5660-045-0005-0	11-6, 13-5, 13-16
5651-992-0000-1	10-22	5660-045-0006-0	1-10
5651-993-0014-0	10-21	5660-045-0007-0	3-14
5653-130-1132-0	13-13	5660-045-0405-0	10-11, 10-16, 11-7 13-6, 13-17, 3-20
5660-010-0055-0	7-9	5660-045-0406-0	1-9, 13-19
5660-010-0064-0	3-13	5660-045-0407-0	3-15
5660-010-0070-0	11-5	5660-047-6216-0	4-9
5660-010-0074-0	3-12	5660-052-0002-0	10-23
5660-010-0085-0	12-4	5660-052-2011-0	10-2
5660-010-0110-0	2-21	5661-054-0010-0	6-5
5660-010-1264-0	7-17	5660-065-0101-0	6-20
5660-010-1255-0	2-20	5660-066-0032-0	6-21
5660-010-1354-0	1-6	5660-066-0033-0	6-8
5660-024-0051-0	1-14 3-5	5660-066-5002-0	6-7
5660-024-0080-0	7A-15	5660-066-5511-0	2-4
5660-024-1222-0	10-5a	5660-066-5538-0	1-3
5660-024-1223-0	7-3, 10-5, 11-10	5661-045-0035-0	3-19
5660-024-1224-0	10-8	5661-047-1104-0	2-6
5660-024-1255-0	13-11	5661-060-2045-0	7-19

Parts Code	Ref No.	Parts Code	Ref No.
5661-066-0004-0	7-20	5668-344-2210-0	12-3
5661-066-1006-0	11-22	5668-370-3500-0	13-22
5661-066-1123-0	3-8	5668-712-6300-0	10-9, 10-14
5661-066-1200-0	2-8	5669-461-4010-0	6-9
5663-000-2680-0	3-7	5669-480-9100-0	13-21
5663-000-2690-0	2-15	5669-624-1200-0	4-13
5663-000-3120-0	3-3	5669-644-1710-0	12-2
5663-000-3180-0	3-2	5669-665-4000-0	6-13
5663-000-4250-0	13-10	5669-670-2600-0	13-14
5663-000-4270-0	2-2	5669-671-1420-0	11-3
5663-000-5500-0	11-12	5669-671-1620-0	11-2
5663-000-5510-0	11-13 a, 11-16	5669-674-0510-0	11-8
5663-000-6120-0	4-16	5669-674-4000-0	11-9
5663-000-7030-0	4-4	7954-205-1010-0	57-14
5663-000-7040-0	4-5	7955-201-0260-0	34-9, 46-2, 49-2
5663-001-3700-0	11-17		
5663-001-4820-0	6-22		
5663-001-5170-0	13-4		
5663-002-6200-0	4-19		
5663-002-7000-0	4-3		
5663-008-7710-0	11-24		
5663-011-3510-0	11-11		
5663-011-5000-0	13-1		
5663-011-5110-0	13-3		
5663-014-2360-0	4-18		
5663-016-2390-0	2-9		
5663-021-5660-0	6-22 a		
5663-030-7680-0	11-11 a		
5664-140-3600-0	7-12		
5664-140-3700-0	7-13		
5666-515-4300-0	7-16		
5667-211-4501-0	6-18		
5667-510-2500-0	1-5		
5667-910-4510-0	3-17		
5667-910-4600-0	3-18		
5668-110-1700-0	2-11		
5668-311-0610-0	2-10		
5668-313-3900-0	3-10		
5668-313-4200-0	11-4		